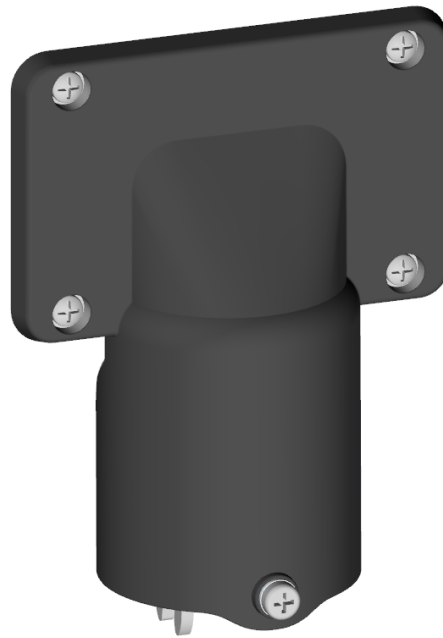


Kit Instructions

XL7W Standalone Pole Mount/Tilt



5907-K302/K303
Issue E



The product described in this document is a licensed product of NCR Corporation.

NCR is a registered trademark of NCR Corporation. NCR RealPOS is a trademark of NCR Corporation in the United States and/or other countries. Other product names mentioned in this publication may be trademarks or registered trademarks of their respective companies and are hereby acknowledged.

The terms HDMI and HDMI High-Definition Multimedia Interface, and the HDMI Logo are trademarks or registered trademarks of HDMI Licensing LLC in the United States and other countries.

Where creation of derivative works, modifications or copies of this NCR copyrighted documentation is permitted under the terms and conditions of an agreement you have with NCR, NCR's copyright notice must be included.

It is the policy of NCR Corporation (NCR) to improve products as new technology, components, software, and firmware become available. NCR, therefore, reserves the right to change specifications without prior notice.

All features, functions, and operations described herein may not be marketed by NCR in all parts of the world. In some instances, photographs are of equipment prototypes. Therefore, before using this document, consult with your NCR representative or NCR office for information that is applicable and current.

To maintain the quality of our publications, we need your comments on the accuracy, clarity, organization, and value of this book. Please use the link below to send your comments.

Email: FD230036@ncr.com

Copyright © 2018–2023

By NCR Corporation

Global Headquarters

864 Spring St NW

Atlanta, GA 30308

U.S.A.

All Rights Reserved

Table of Contents

XL7W Standalone Pole Mount/Tilt

Kit Contents	1
Installation Procedure	2

Revision Record

Issue	Date	Remarks
A	Apr 2018	First Issue
B	Oct 2018	Added K303 (white)
C	Feb 2019	Correction to P/N of Pole Mount Adapter
D	Nov 2019	Updated terminology for USB with type C connector
E	Aug 2023	Added 5977-K160 and 5934-K021 (for reference)

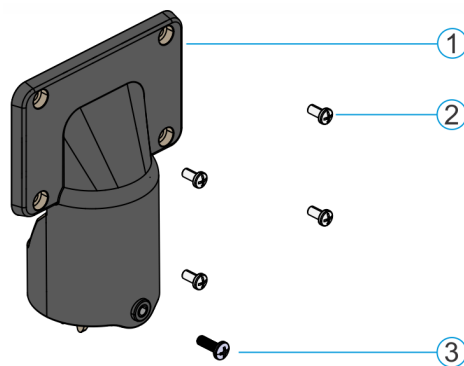
XL7W Standalone Pole Mount/Tilt

This kit provides a bracket to mount a non-touch NCR XL7W (5907) Display to a tilt pole.



Note: A swivel mount (5977-K160) is required to mount the bracket on a pole.

Kit Contents



CCP-72938

5907-K302 XL7W Standalone Pole Mount/Tilt (Black)

Item	P/N	Description
1	497-0518363	Adapter, Pole Mount, XL7W
2	006-8615964	Screw, M4x8, Machine, Phillips, Pan Head, Steel, Black
3	006-8617763	Screw, M4x12, Machine, Phillips, Pan Head

5907-K303 XL7W Standalone Pole Mount/Tilt (White)

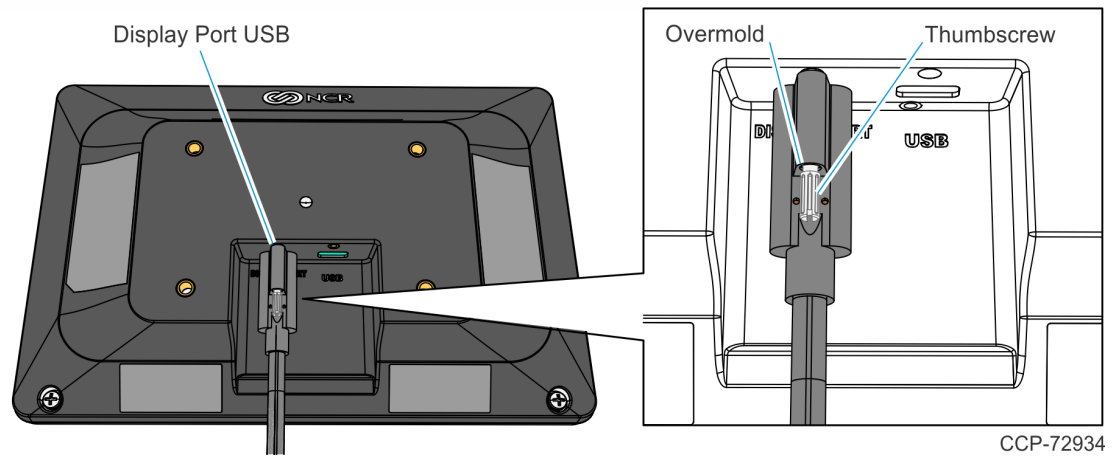
Item	P/N	Description
1	497-0520995	Adapter, Pole Mount, XL7W, White
2	006-8623674	Screw, M4x0.7Px8, Machine, Phillips, Pan Head
3	006-8612592	Screw, M4x0.7Px12, Phillips, Pan Head, SEMS, Stainless Steel

Installation Procedure

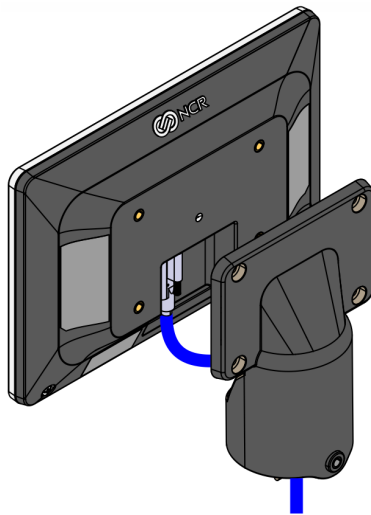
1. Connect the USB end of the Display Cable to the back of the Display. Tighten the thumbscrew.



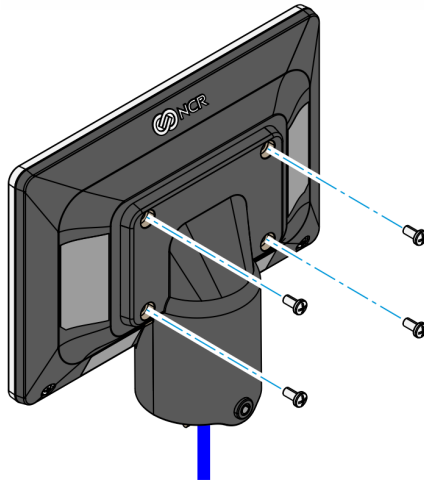
Note: Avoid overtightening the thumbscrew by turning it only until the silver knurled portion touches the black plastic overmold. Overtightening the thumbscrew damages the connector on the board.



2. Insert the cable through the Bracket opening.

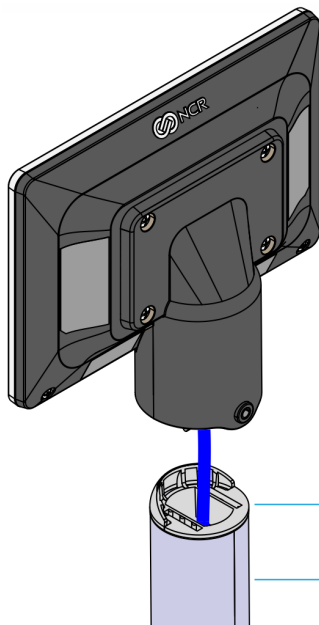


3. Install the Bracket on the back of the Display (4 screws).



CCP-72940

4. Insert the cable through the Pole.

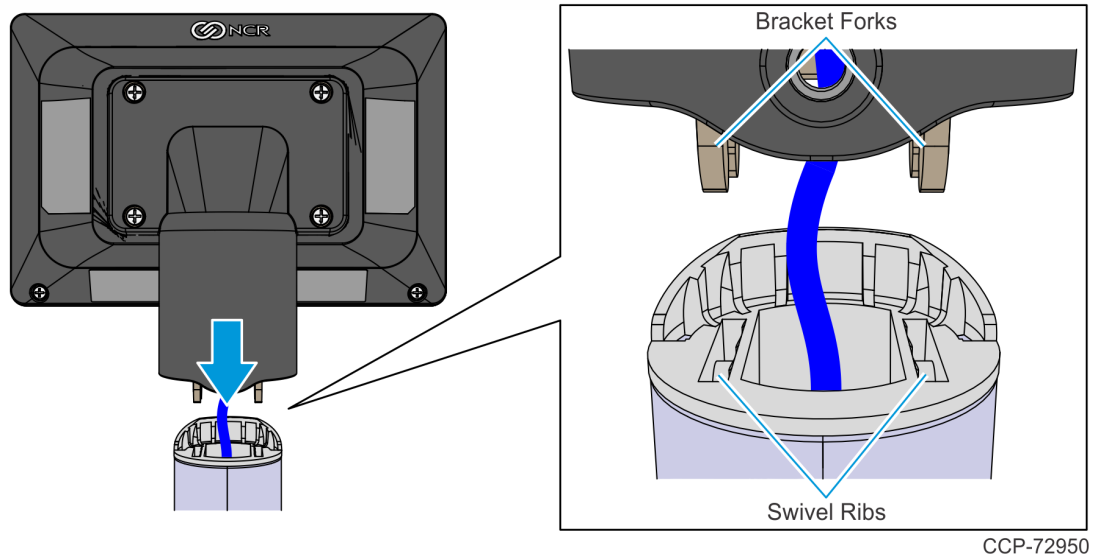


5977-K160 Swivel Mount (497-0523505)
(Reference Only)

5934-K021 12" Pole and Counter Mount (497-0520356)
(Reference Only)

CCP-72941

5. Mount the forks of the Bracket onto the ribs of the pole swivel and then snap them in place.



6. Connect the Display Cable to the host terminal.