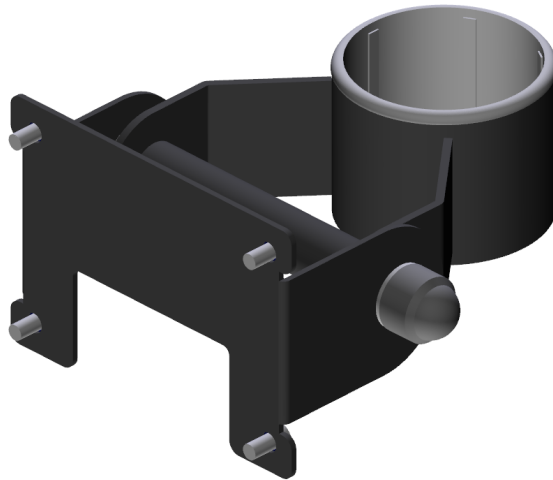


# Kit Instructions

XL7W SpacePole



5907-K301  
Issue A



---

The product described in this document is a licensed product of NCR Corporation.

NCR is a registered trademark of NCR Corporation. NCR RealPOS is a trademark of NCR Corporation in the United States and/or other countries. Other product names mentioned in this publication may be trademarks or registered trademarks of their respective companies and are hereby acknowledged.

The terms HDMI and HDMI High-Definition Multimedia Interface, and the HDMI Logo are trademarks or registered trademarks of HDMI Licensing LLC in the United States and other countries.

Where creation of derivative works, modifications or copies of this NCR copyrighted documentation is permitted under the terms and conditions of an agreement you have with NCR, NCR's copyright notice must be included.

It is the policy of NCR Corporation (NCR) to improve products as new technology, components, software, and firmware become available. NCR, therefore, reserves the right to change specifications without prior notice.

All features, functions, and operations described herein may not be marketed by NCR in all parts of the world. In some instances, photographs are of equipment prototypes. Therefore, before using this document, consult with your NCR representative or NCR office for information that is applicable and current.

To maintain the quality of our publications, we need your comments on the accuracy, clarity, organization, and value of this book. Please use the link below to send your comments.

*Email:* [FD230036@ncr.com](mailto:FD230036@ncr.com)

Copyright © 2018  
By NCR Corporation  
Atlanta, GA U.S.A.  
All Rights Reserved

## Revision Record

Issue	Date	Remarks
A	Apr 2018	First Issue

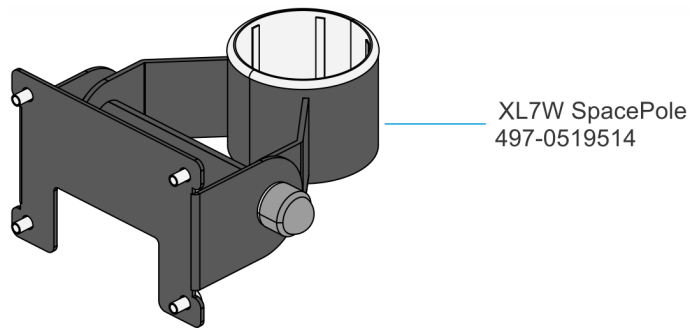
---

# XL7W SpacePole

---

This kit provides a bracket to mount the NCR XL7W (5907) Display to a SpacePole.

## Kit Contents



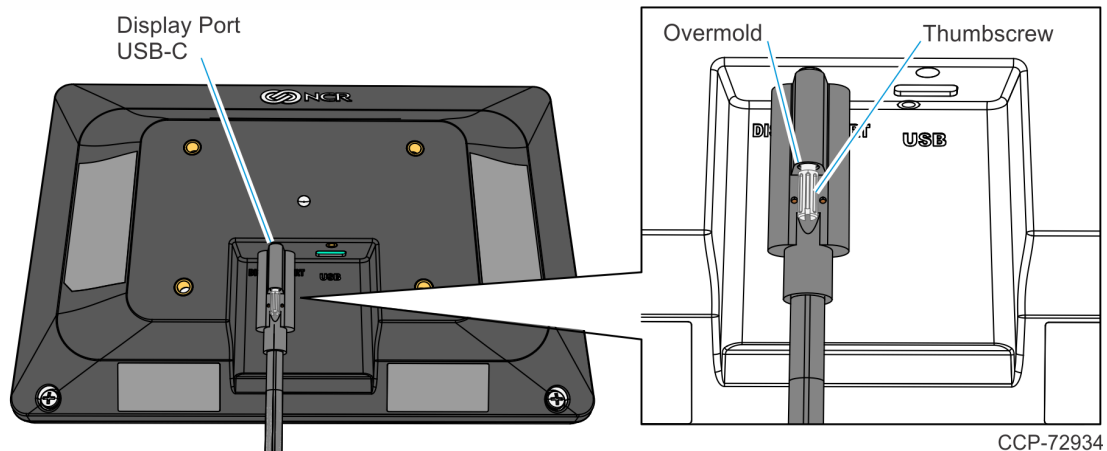
CCP-72933

## Installation Procedure

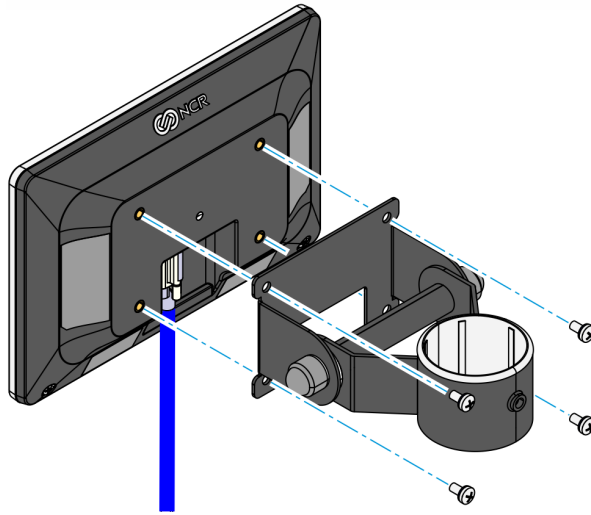
1. Connect the USB-C end of the Display Cable to the back of the Display. Tighten the thumbscrew.



**Note:** Avoid overtightening the thumbscrew by turning it only until the silver knurled portion touches the black plastic overmold. Overtightening the thumbscrew damages the connector on the board.

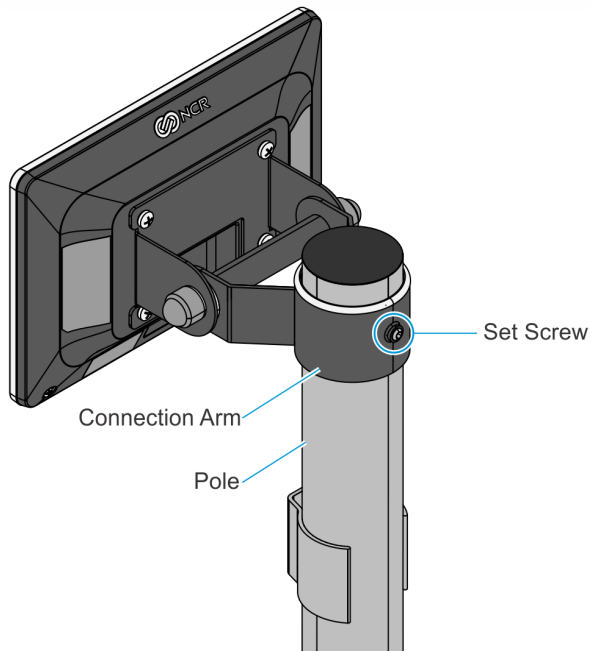


2. Install the Bracket on the back of the Display (4 screws).



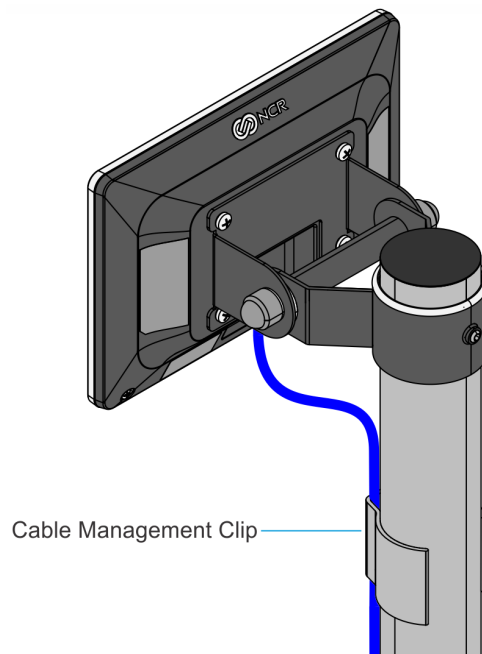
CCP-72935

3. Mount the Display on the Pole. Using an allen key, tighten the set screw on the connection arm to secure it to the Pole.



CCP-72937

4. Route the cable through the Cable Management Clip.



CCP-72936

5. Connect the Display Cable to the host terminal.

