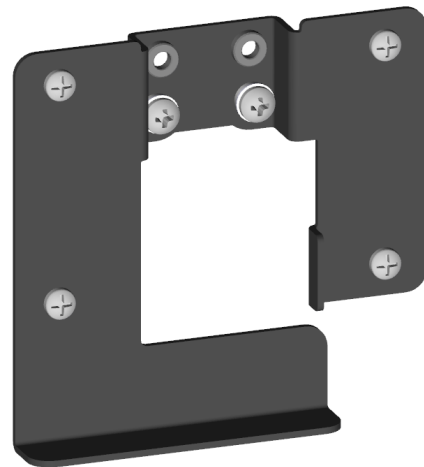


Kit Instructions

XL7W Display Mount Bracket, Stand - Rear



5907-K300
Issue A



The product described in this document is a licensed product of NCR Corporation.

NCR is a registered trademark of NCR Corporation. NCR RealPOS is a trademark of NCR Corporation in the United States and/or other countries. Other product names mentioned in this publication may be trademarks or registered trademarks of their respective companies and are hereby acknowledged.

The terms HDMI and HDMI High-Definition Multimedia Interface, and the HDMI Logo are trademarks or registered trademarks of HDMI Licensing LLC in the United States and other countries.

Where creation of derivative works, modifications or copies of this NCR copyrighted documentation is permitted under the terms and conditions of an agreement you have with NCR, NCR's copyright notice must be included.

It is the policy of NCR Corporation (NCR) to improve products as new technology, components, software, and firmware become available. NCR, therefore, reserves the right to change specifications without prior notice.

All features, functions, and operations described herein may not be marketed by NCR in all parts of the world. In some instances, photographs are of equipment prototypes. Therefore, before using this document, consult with your NCR representative or NCR office for information that is applicable and current.

To maintain the quality of our publications, we need your comments on the accuracy, clarity, organization, and value of this book. Please use the link below to send your comments.

Email: FD230036@ncr.com

Copyright © 2018
By NCR Corporation
Atlanta, GA U.S.A.
All Rights Reserved

Revision Record

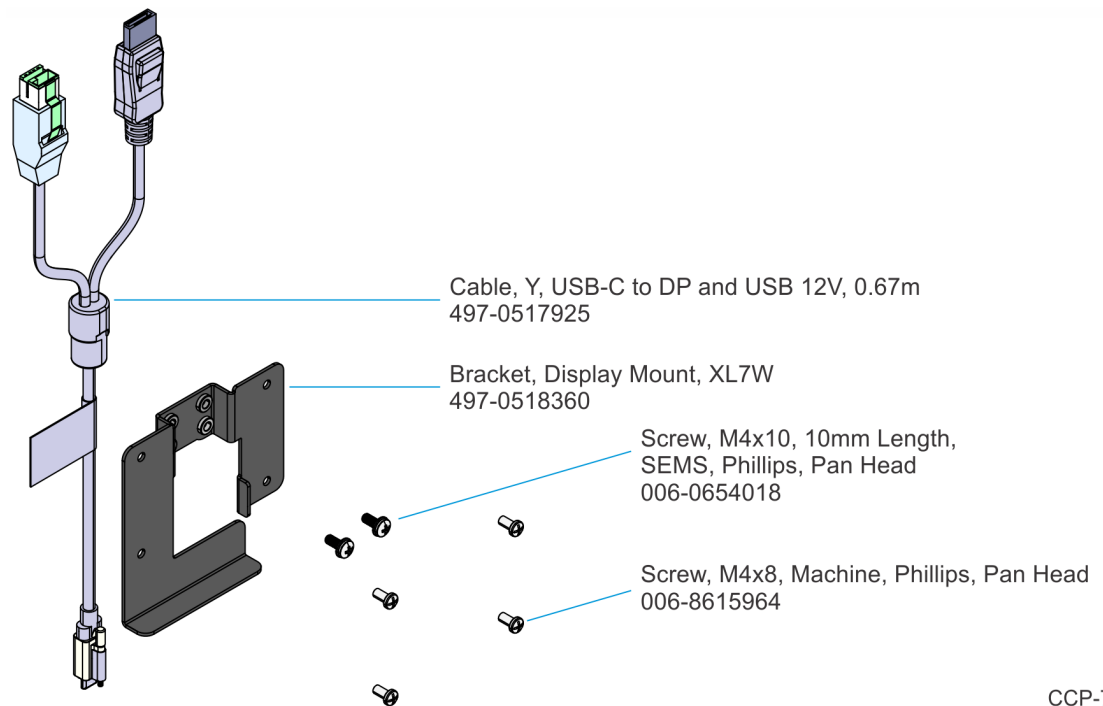
Issue	Date	Remarks
A	Apr 2018	First Issue

XL7W Display Mount Bracket, Stand - Rear

This kit provides a bracket to mount the NCR XL7W (5907) Display on the neck of any of the following stands:

- XL Stand (5915-K033)
- X-Series Stand (7702-K031)
- P-Series Stand (7761-K170)

Kit Contents



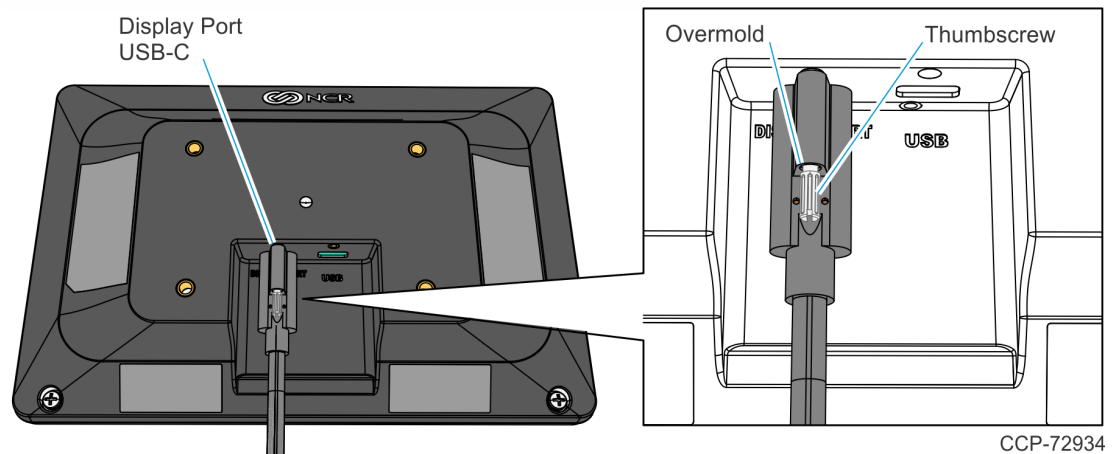
CCP-72951

Installation Procedure

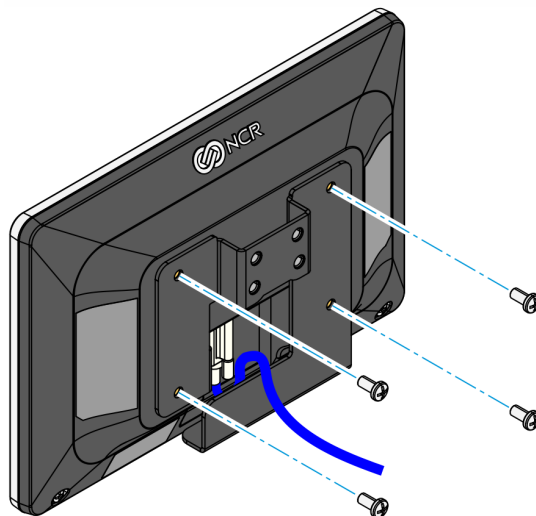
1. Connect the USB-C end of the Display Cable to the back of the Display. Tighten the thumbscrew.



Note: Avoid overtightening the thumbscrew by turning it only until the silver knurled portion touches the black plastic overmold. Overtightening the thumbscrew damages the connector on the board.



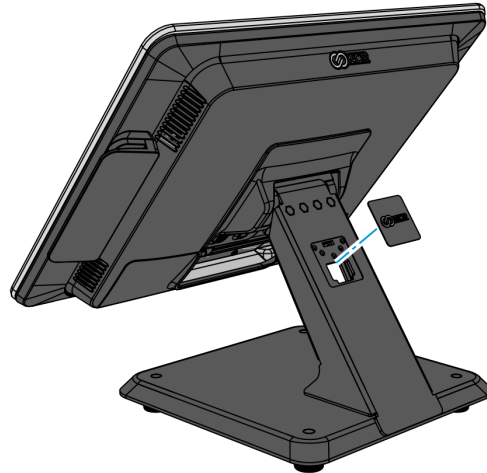
2. Route the cable through the Display Mount Bracket and install the bracket on the back of the display (4 screws).



3. Install the Bracket and Display assembly on the stand.

XL Stand (5915-K033)

- a. Remove the NCR Logo Badge from the XL Stand. The badge is mounted to the stand with adhesive. Use care when removing the badge.

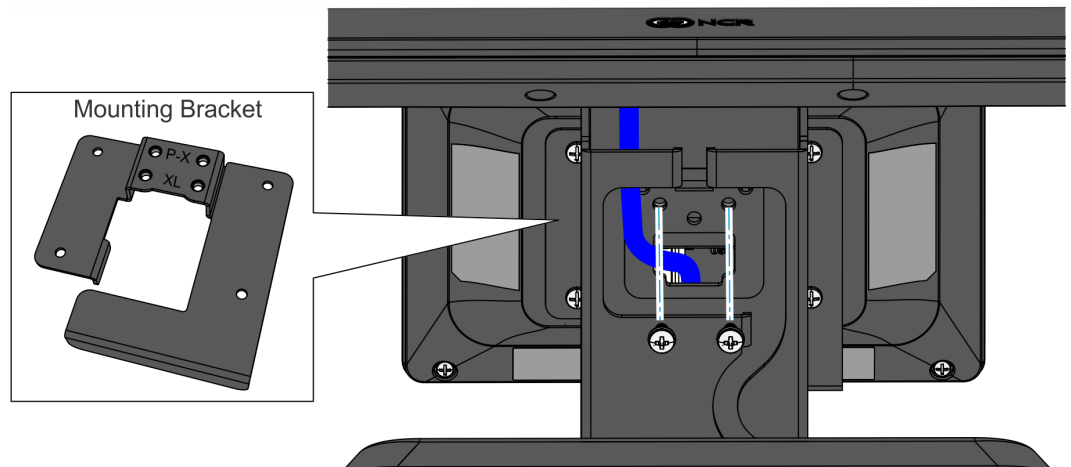


CCP-72371

- b. Route the cable through the neck and up the stand. Secure the Bracket and Display assembly from the inside of the stand (2 screws).



Note: The Bracket mounting points are labeled XL for the XL Stand.



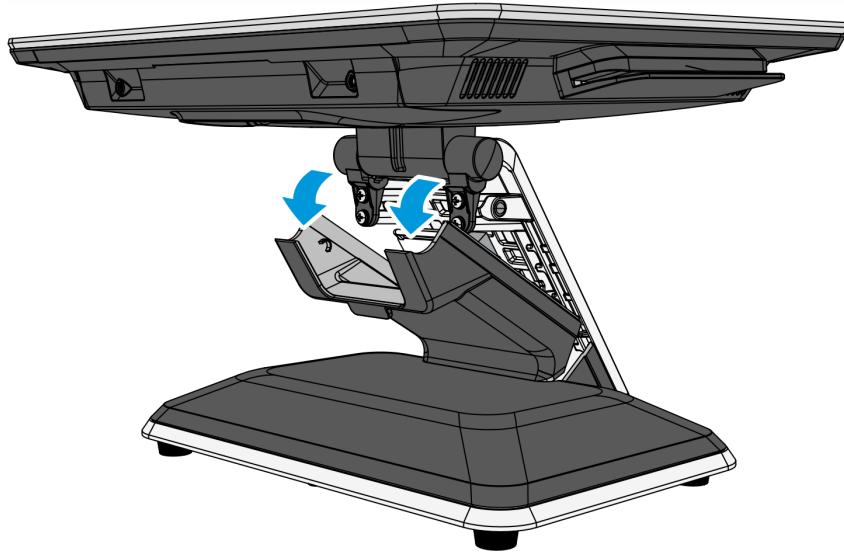
CCP-72953

- c. Connect the cable to the host terminal.

X-Series Stand (7702-K031) or P-Series Stand (7761-K170)

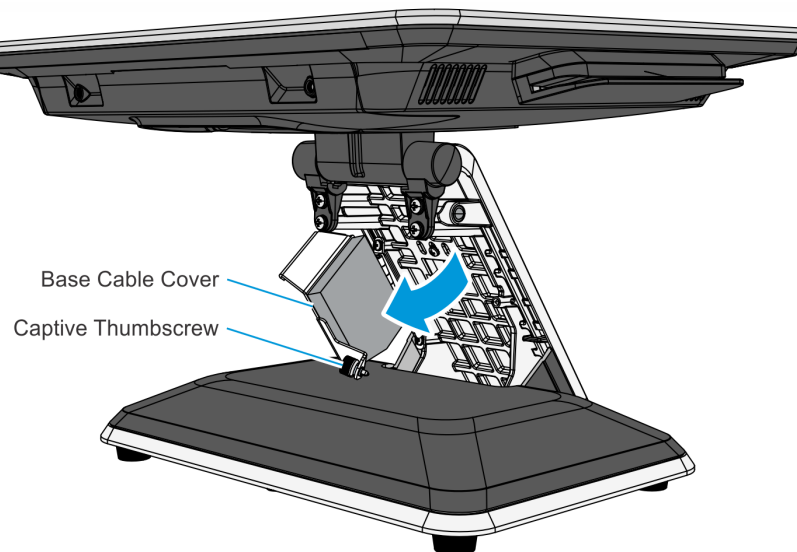
Note: This procedure uses the NCR XR7 (7702) mounted on the X-Series Stand (7702-K031) for illustration.

- a. Remove the Upper Stand Cover by pivoting it away from the stand. The cover has a simple snap fit connection at the top.



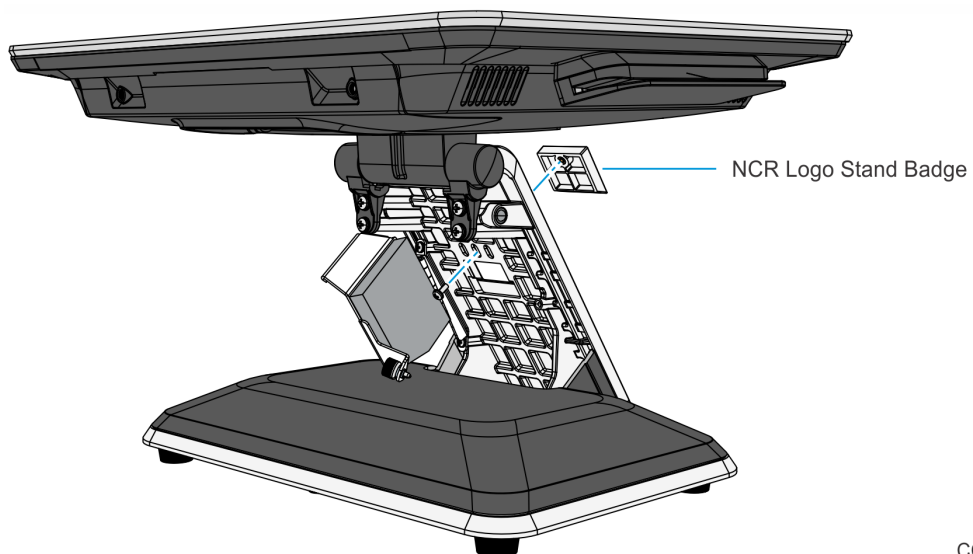
CCP-72382

- b. Open the Base Cable Cover (captive thumbscrew).



CCP-72383

- c. Remove the NCR Logo Stand Badge (1 screw).

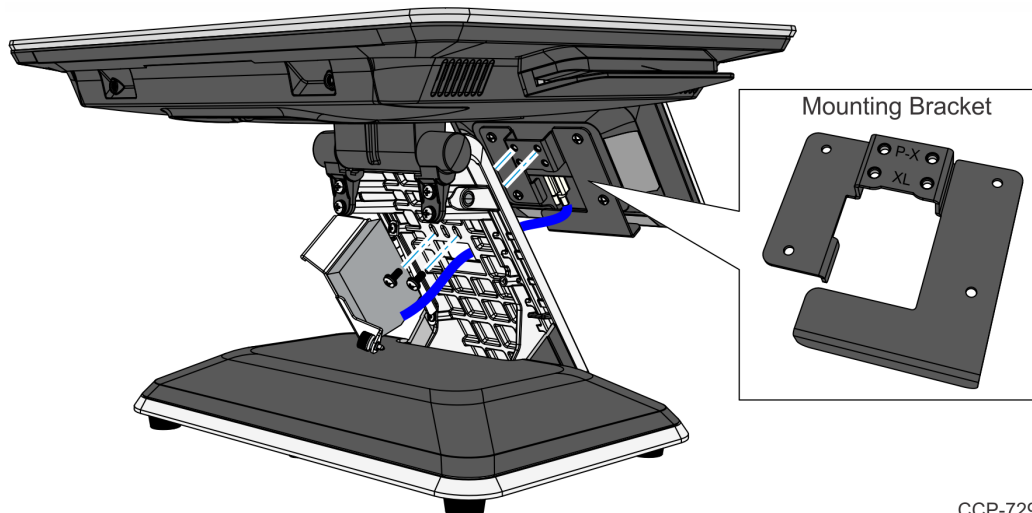


CCP-72384

- d. Route the cable through the stand. Secure the Bracket and Display assembly from the inside of the stand (2 screws).

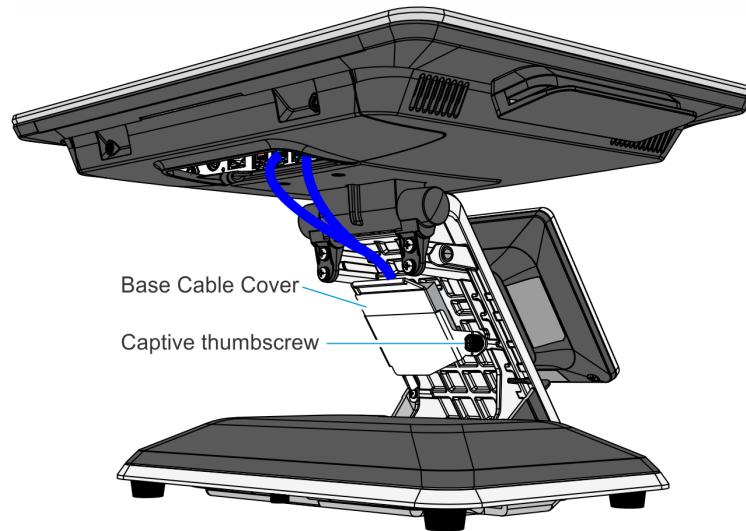


Note: The Bracket mounting points are labeled P-X for the P-Series or X-Series Stand.



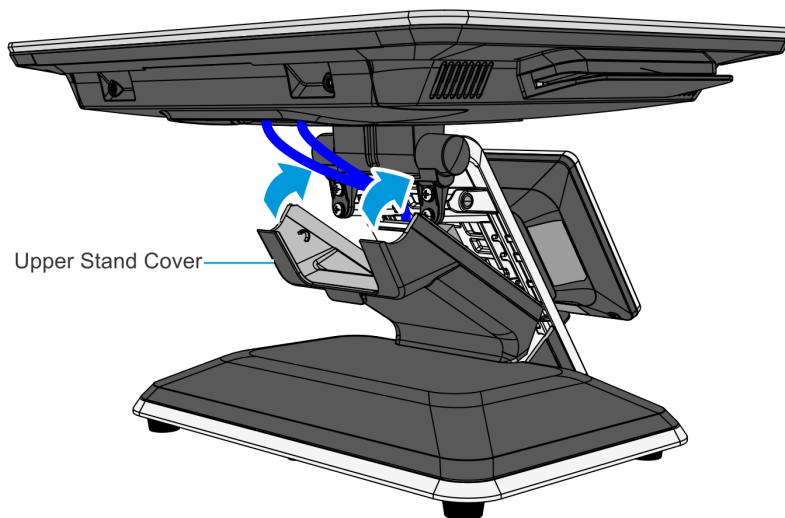
CCP-72955

- e. Route the cable up the stand and connect the cable to the host terminal. Close and secure the Base Cable Cover with the thumbscrew.



CCP-72956

- f. Reinstall the Upper Stand Cover.



CCP-72957