

Kit Instructions

XL7W Wedge Stand



5907-K030
Issue C



The product described in this document is a licensed product of NCR Corporation.

NCR is a registered trademark of NCR Corporation. NCR RealPOS is a trademark of NCR Corporation in the United States and/or other countries. Other product names mentioned in this publication may be trademarks or registered trademarks of their respective companies and are hereby acknowledged.

The terms HDMI and HDMI High-Definition Multimedia Interface, and the HDMI Logo are trademarks or registered trademarks of HDMI Licensing LLC in the United States and other countries.

Where creation of derivative works, modifications or copies of this NCR copyrighted documentation is permitted under the terms and conditions of an agreement you have with NCR, NCR's copyright notice must be included.

It is the policy of NCR Corporation (NCR) to improve products as new technology, components, software, and firmware become available. NCR, therefore, reserves the right to change specifications without prior notice.

All features, functions, and operations described herein may not be marketed by NCR in all parts of the world. In some instances, photographs are of equipment prototypes. Therefore, before using this document, consult with your NCR representative or NCR office for information that is applicable and current.

To maintain the quality of our publications, we need your comments on the accuracy, clarity, organization, and value of this book. Please use the link below to send your comments.

Email: FD230036@ncr.com

Copyright © 2018–2020
By NCR Corporation
Global Headquarters
864 Spring St NW
Atlanta, GA 30308
U.S.A.
All Rights Reserved

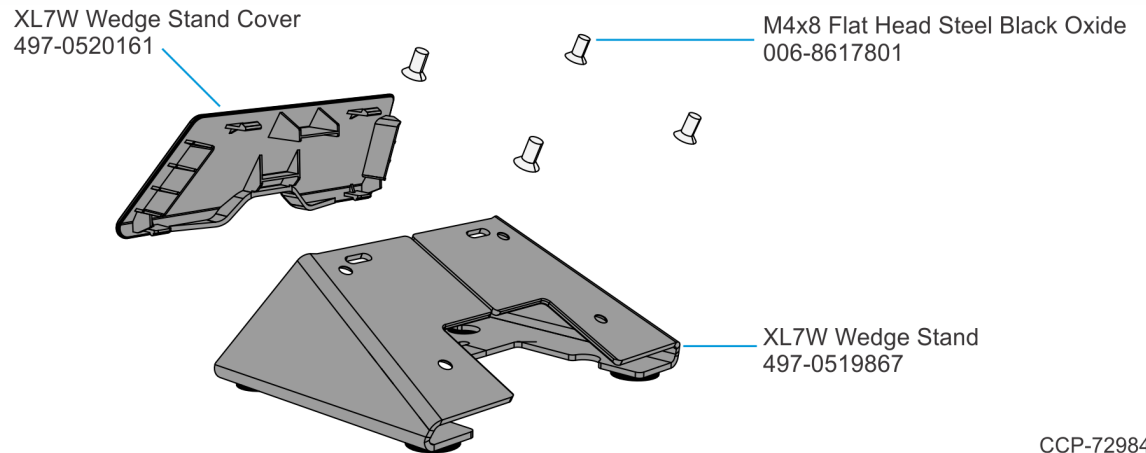
Revision Record

Issue	Date	Remarks
A	Apr 2018	First Issue
B	Dec 2019	Updated terminology for USB with type C connector
C	Aug 2020	Added Wedge Stand dimensions

XL7W Wedge Stand

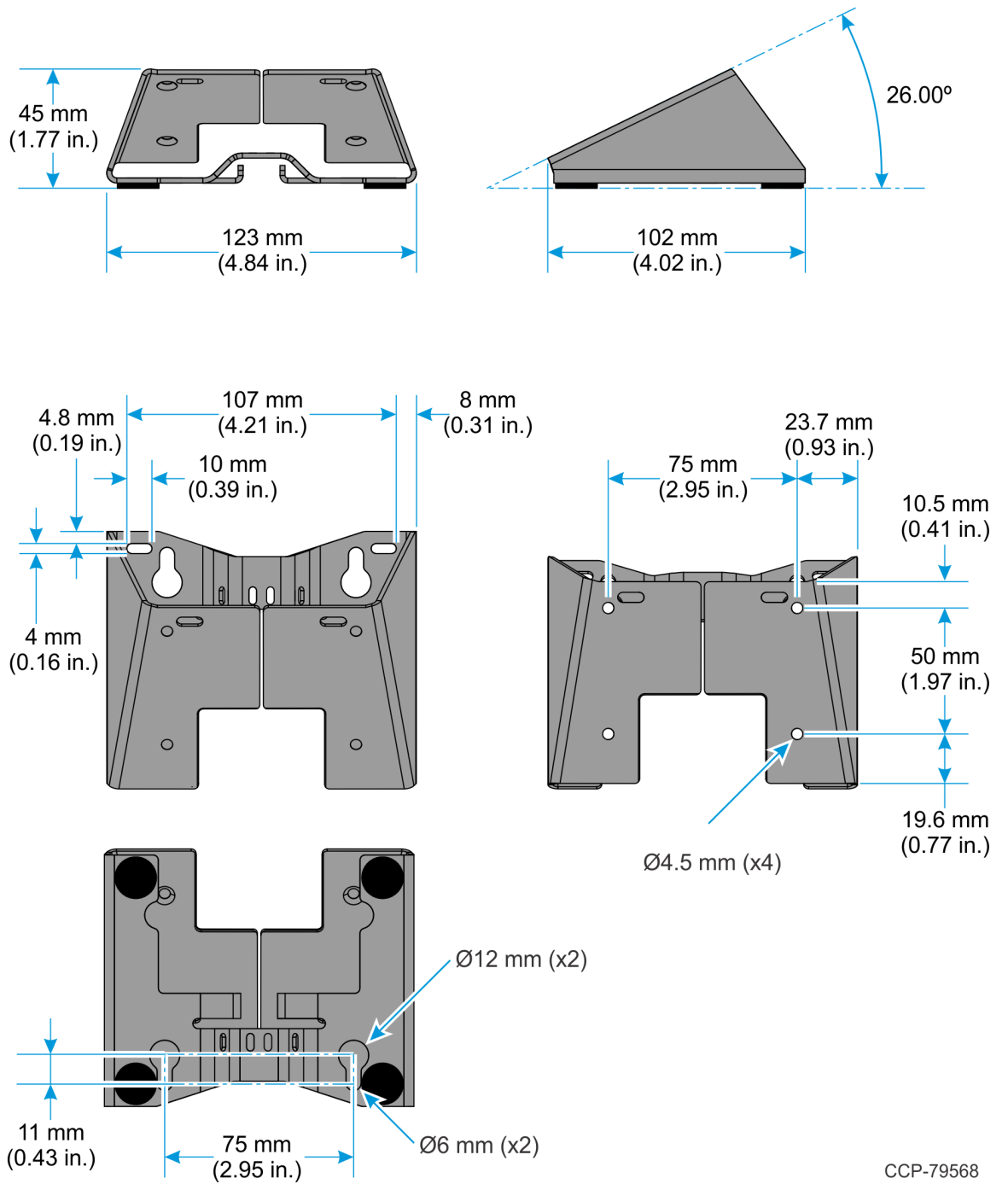
This kit provides a wedge stand for the NCR XL7W (5907) Display.

Kit Contents



CCP-72984

Dimensions

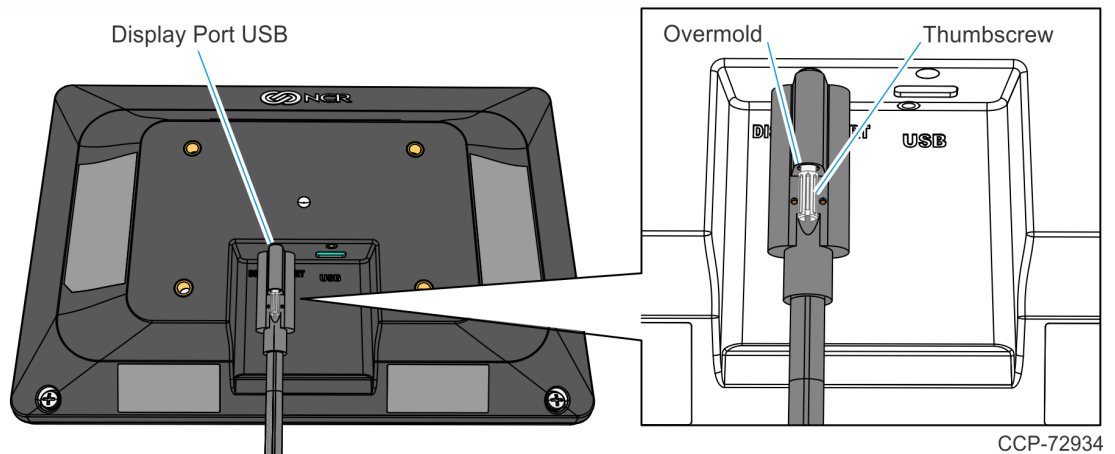


Installation Procedure

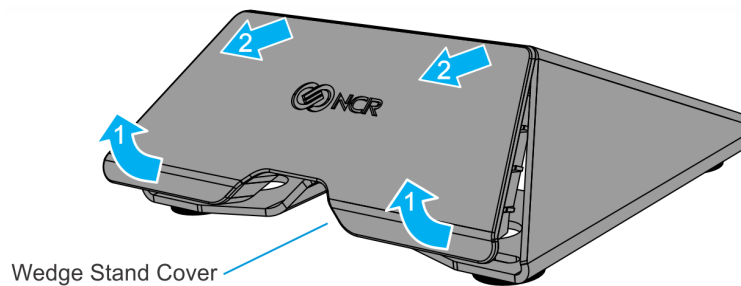
1. Connect the USB end of the Display Cable to the back of the Display. Tighten the thumbscrew.



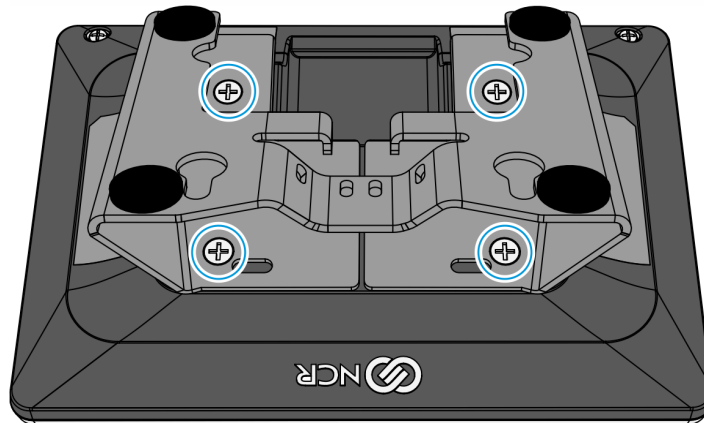
Note: Avoid overtightening the thumbscrew by turning it only until the silver knurled portion touches the black plastic overmold. Overtightening the thumbscrew damages the connector on the board.



2. Remove the Cover from the Wedge Stand.
 - a. Swing the Cover upward to detach. The Cover has a snap fit connection on the bottom.
 - b. Pull Cover in the direction shown to unlatch.

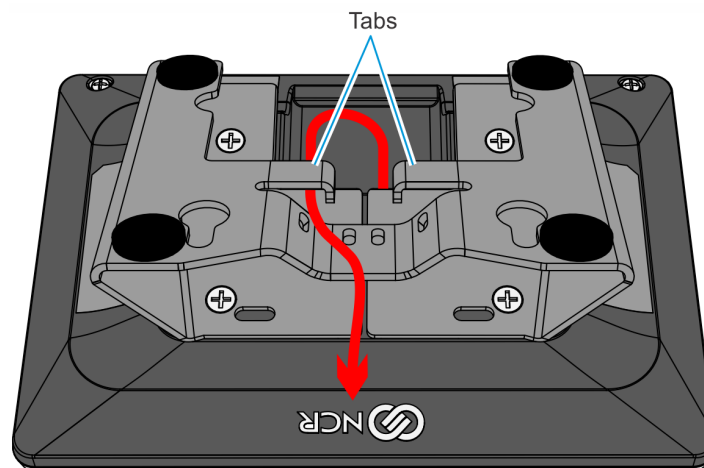


3. Install the Wedge Stand on the back of the Display (4 screws).



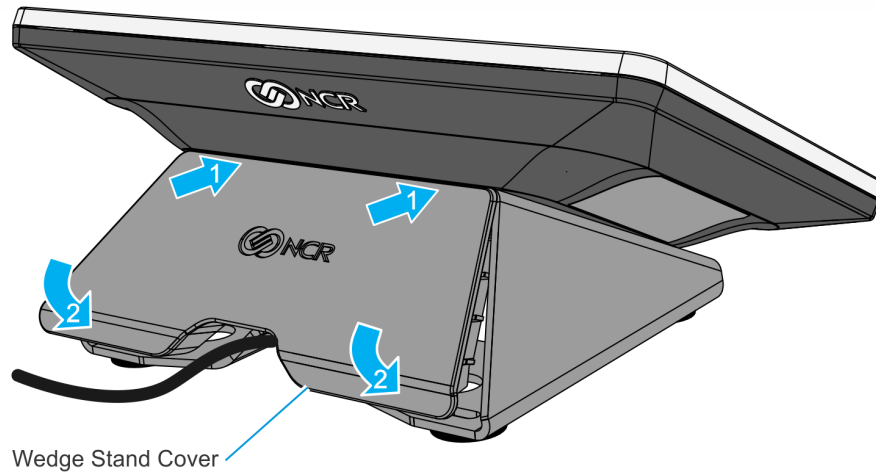
CCP-72986

4. Route the Cable through the slot between the tabs and make sure the Cable is behind the tab.



CCP-72987

5. Reinstall the Wedge Stand Cover.
 - a. Insert the tabs of the Cover into the Wedge Stand.
 - b. Swing the Cover down until it latches into place.



CCP-72988

6. Connect the Display Cable to the host terminal.