

Kit Instructions

N5680 Imager, USB Cable, and ENS Bracket
(for PAX devices)

1668-K902
Issue A



The product described in this document is a licensed product of NCR Corporation.

NCR is a registered trademark of NCR Corporation. NCR SelfServ is a trademark of NCR Corporation in the United States and/or other countries. Other product names mentioned in this publication may be trademarks or registered trademarks of their respective companies and are hereby acknowledged.

The terms HDMI and HDMI High-Definition Multimedia Interface, and the HDMI Logo are trademarks or registered trademarks of HDMI Licensing LLC in the United States and other countries.

Where creation of derivative works, modifications or copies of this NCR copyrighted documentation is permitted under the terms and conditions of an agreement you have with NCR, NCR's copyright notice must be included.

It is the policy of NCR Corporation (NCR) to improve products as new technology, components, software, and firmware become available. NCR, therefore, reserves the right to change specifications without prior notice.

All features, functions, and operations described herein may not be marketed by NCR in all parts of the world. In some instances, photographs are of equipment prototypes. Software screen images are representative, and in some cases, may not match a customer's installed software exactly. Therefore, before using this document, consult with your NCR representative or NCR office for information that is applicable and current.

To maintain the quality of our publications, we need your comments on the accuracy, clarity, organization, and value of this book. Please use the link below to send your comments.

Email: FD230036@ncr.com

Copyright © 2020
By NCR Corporation
864 Spring St. NW
Atlanta, GA 30308
United States
All Rights Reserved

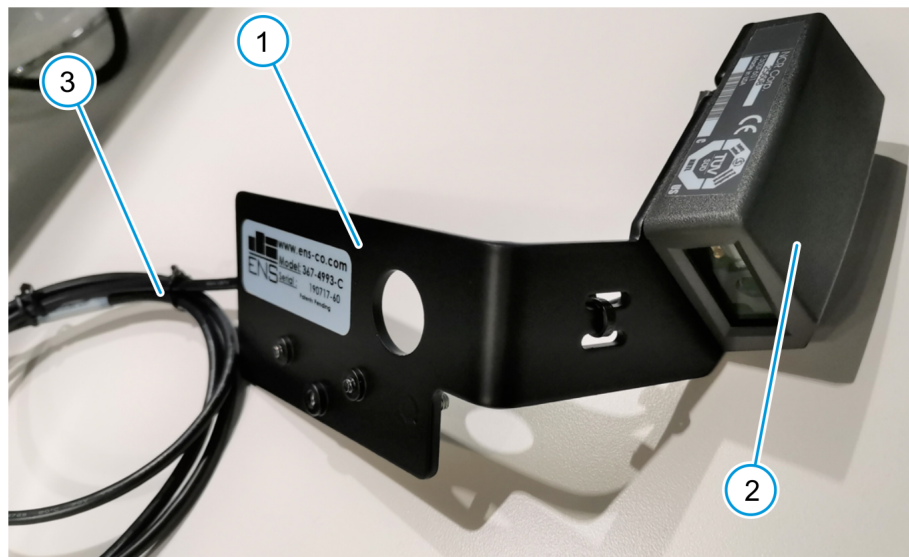
Revision Record

Issue	Date	Remarks
A	May 2020	First Issue

N5680 Imager, USB Cable, and ENS Bracket (for PAX devices)

This publication provides procedures for installing the 1668-K902 kit to a PAX device.

Kit Contents



CCP-78798

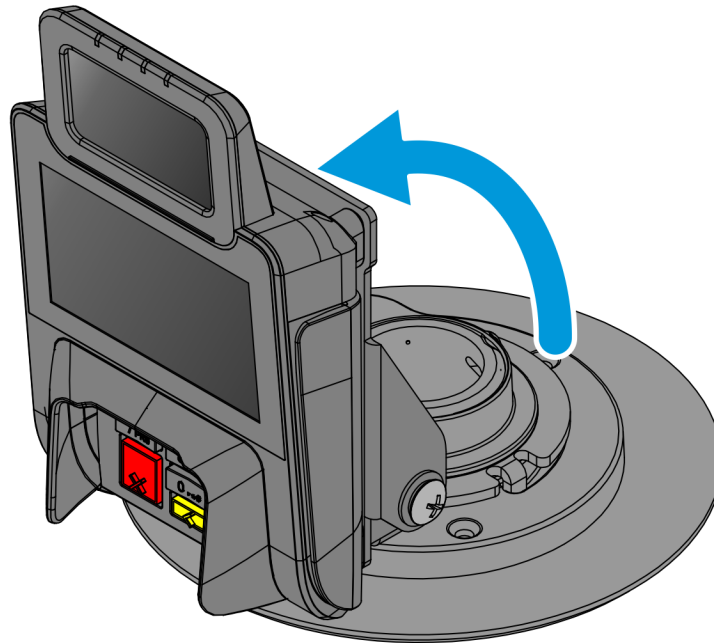
Part Number	Description
497-0528215	N5680 Imager, USB Cable, and ENS Bracket (for PAX devices)
1	497-0528219 ENS Bracket, Honeywell, Verifone Device
2	497-0499243 Honeywell N5680 Imager HD
3	497-0522199 Cable, USB Scanner Cable, 4 Feet
4*	497-0504201 Carton Pack - 558 Series, 10" x 9" x 5" -Corrugated with convoluted foam
5*	497-9999650 Bag, ESD (14" X 20")
6*	497-0423108 Instructions - Kit (Reference Sheet)



Note: Items marked with an asterisk (*) are not shown in the image.

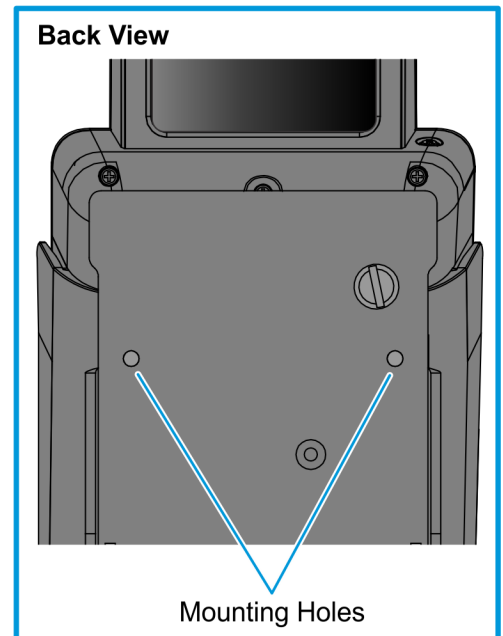
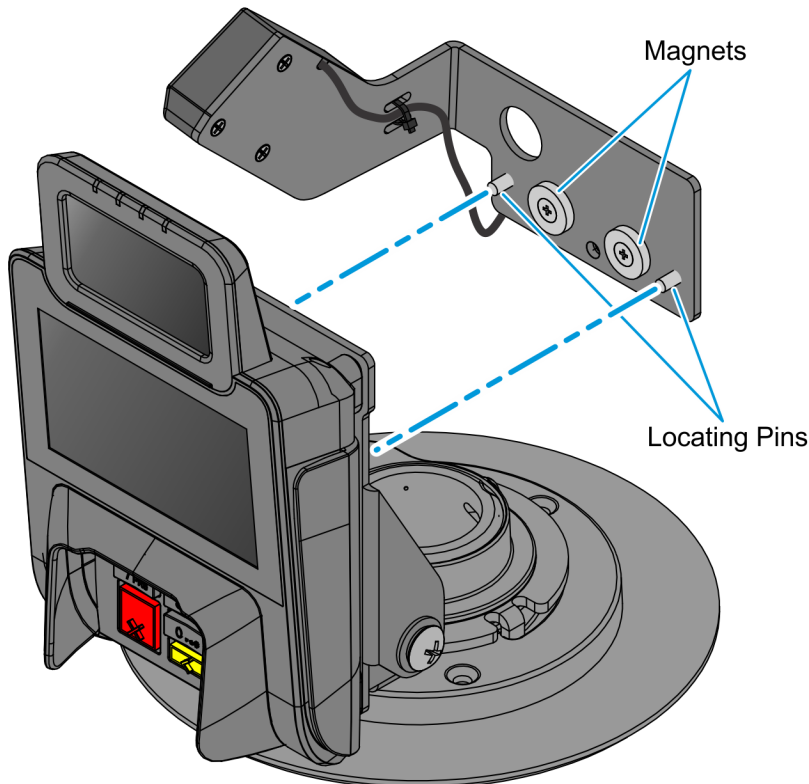
Installation Procedures

1. Tilt the eMoney device forward.



CCP-78797

2. Align the locating pins on the ENS bracket with corresponding holes on the back of the eMoney mount.



CCP-78799

3. Push the pins into the holes and let the bracket magnets adhere to the back of the eMoney mount.

