

7874-K825

# Scale Upgrade

Kit Instructions



Issue A

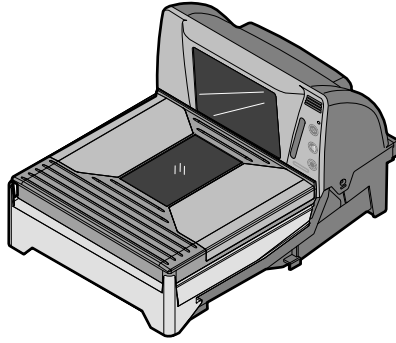
---

## Revision Record

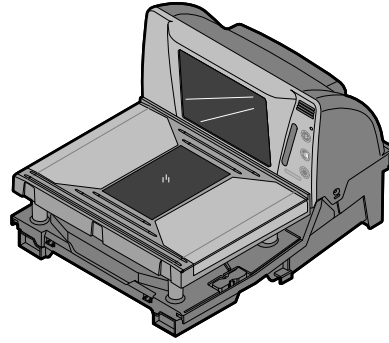
Issue	Date	Remarks
A	August 2011	First issue

## Introduction

This kit provides a Scale upgrade for the NCR RealPOS Low Profile Bi-Optic Scanner (7874-300X and 7874-400X).



NCR 7874 - 400X



NCR 7874 - 300X

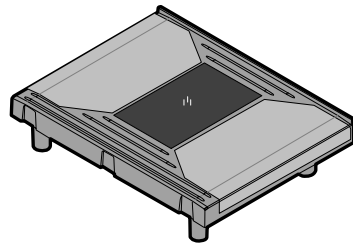
30131

## Installation Procedures

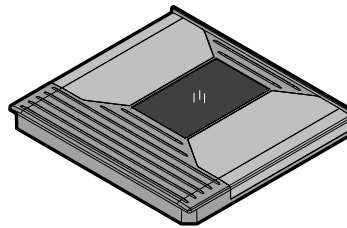
**Warning:** Disconnect the AC power cord before disassembling the Scanner.

### Remove the Top Plate

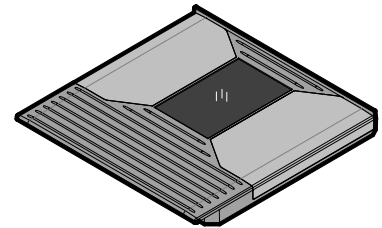
The following are the three Top Plate models available for the 7874.



13.9 INCH



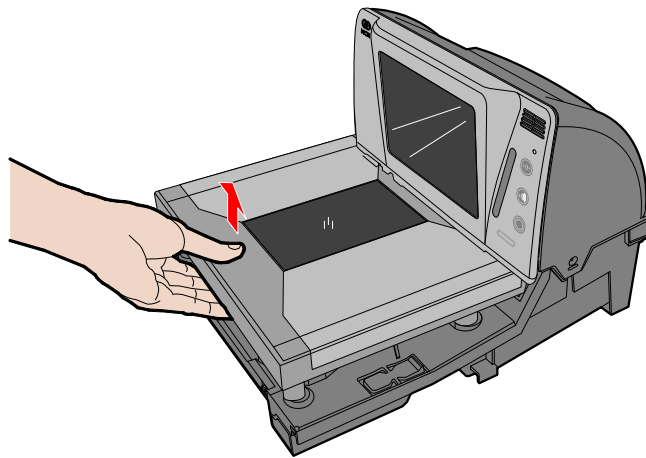
15.7 INCH



20 INCH

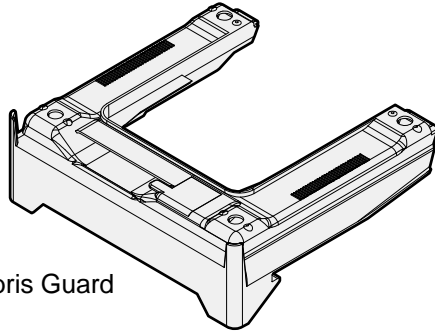
25982

1. Hold the front edge of the Top Plate between your fingers.
2. Lift the Top Plate to remove it from the scanner.



25518

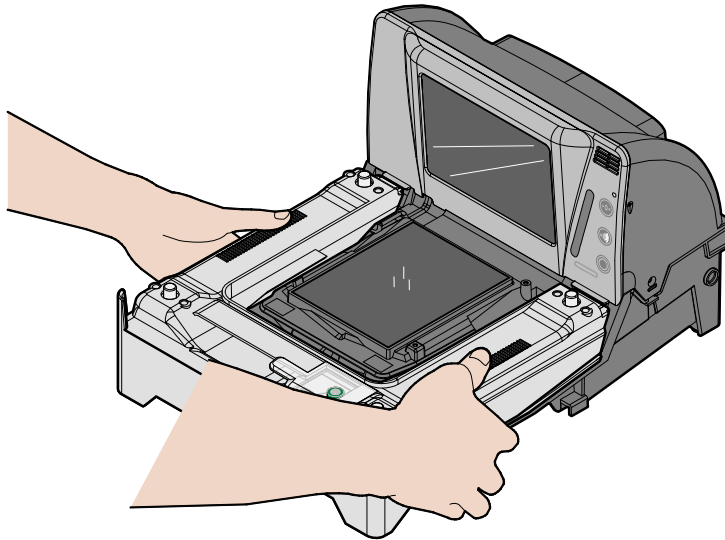
## Remove the old Debris Guard



Debris Guard

30132

1. Hold the sides of the scanner shown below, with one finger reaching underneath each side of the scanner.



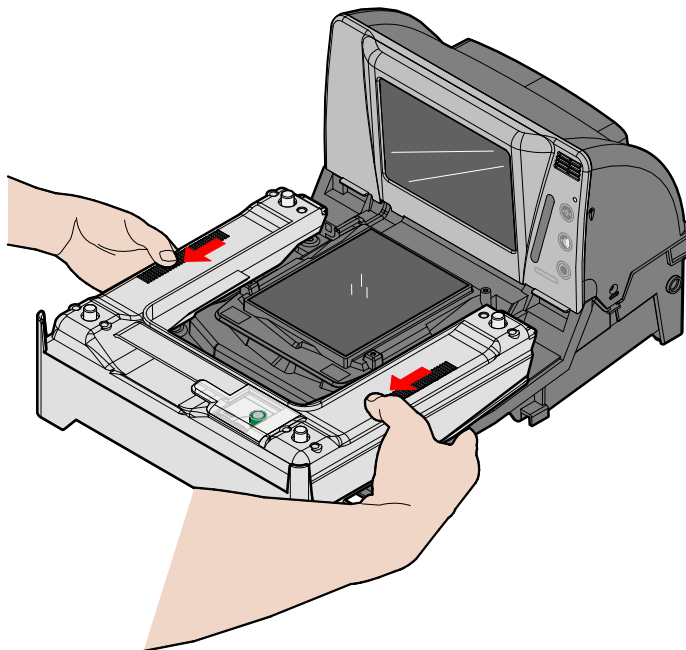
25894

2. Access the locks underneath both sides of the scanner and gently press on them to detach the Debris Guard from the scanner.



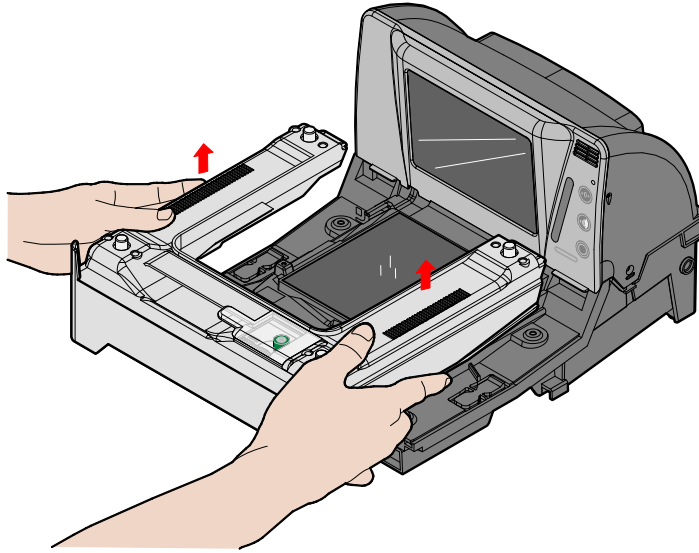
30133

3. Gently slide the Debris Guard towards the front of the scanner using your thumbs to disengage it from the scanner.



25895

4. Lift the Debris Guard to remove it from the scanner.

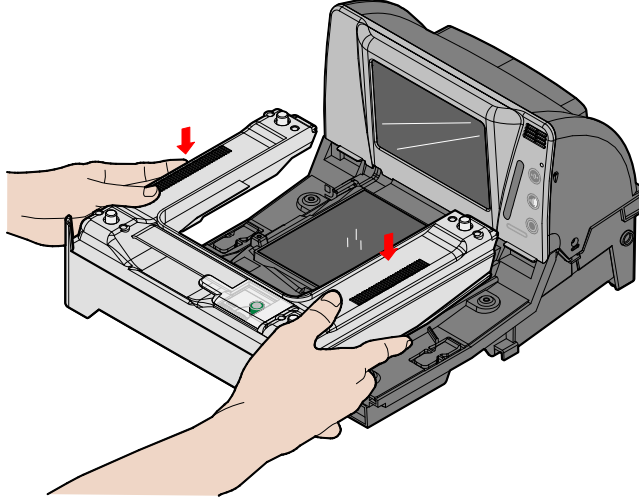


25896

5. Discard the old Debris Guard.

## Install the Debris Guard and Scale Assembly

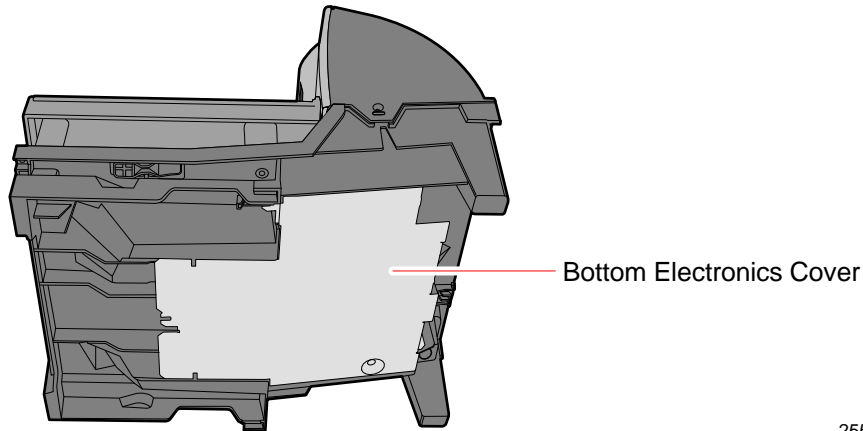
1. Lay down the new Debris Guard and Scale assembly on the front portion of the Horizontal Cover as shown below.



25892

2. Gently slide the Debris Guard and Scale assembly towards the rear of the scanner until the locks snap it in place.

## Remove the Bottom Electronics Cover

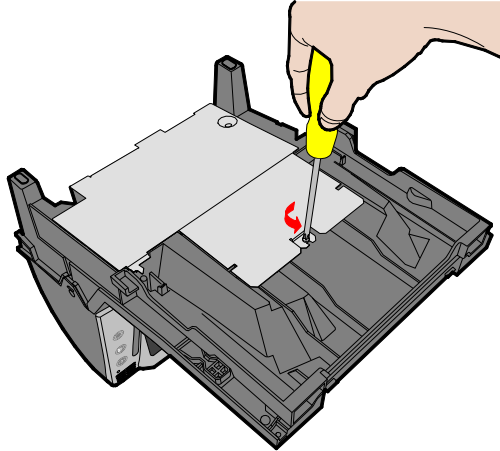


25522

1. Disconnect all external cables from the scanner.
2. Turn the 7874 upside down. Be careful not to scratch the bezel.

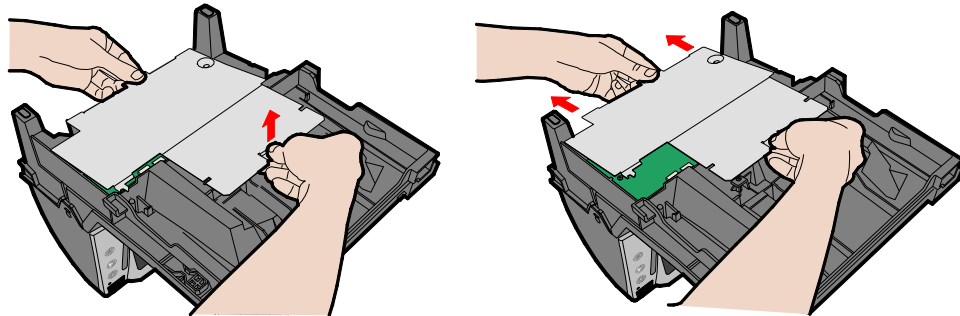


3. Remove the mounting screw using a number-2 screw driver.



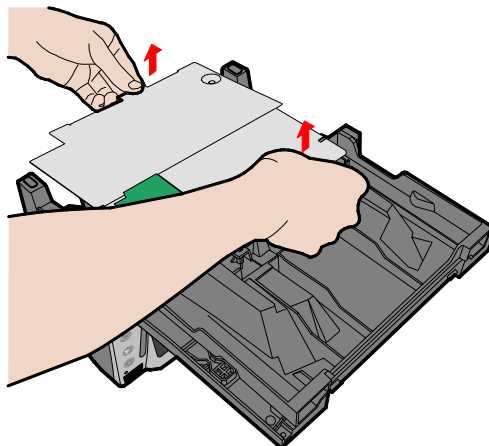
25530

4. Slightly tilt the edge of the bottom electronics cover where the screw was placed, and then gently slide the cover towards the rear of the scanner.



25532

5. Lift the bottom electronics cover to remove it.

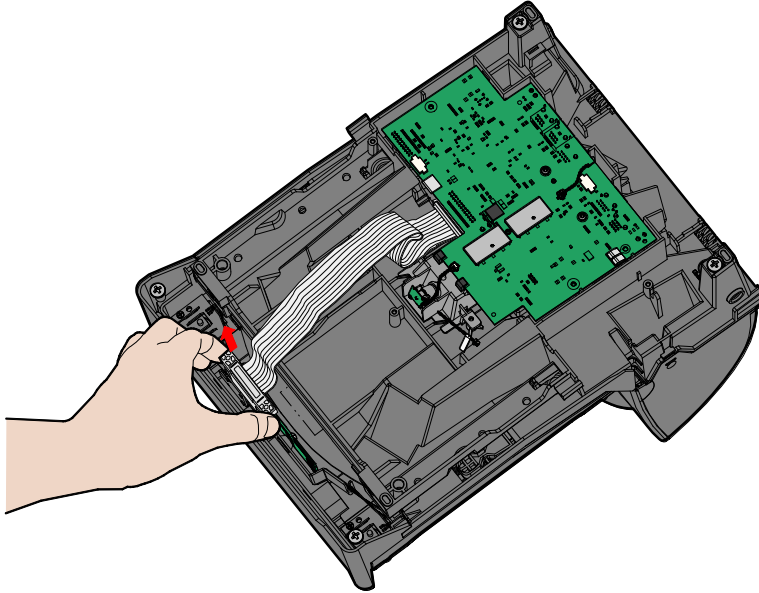


25533

**Caution:** Damage may occur to the Digital Board and external connectors if the bottom electronics cover is forcibly removed while caught on the external connectors.

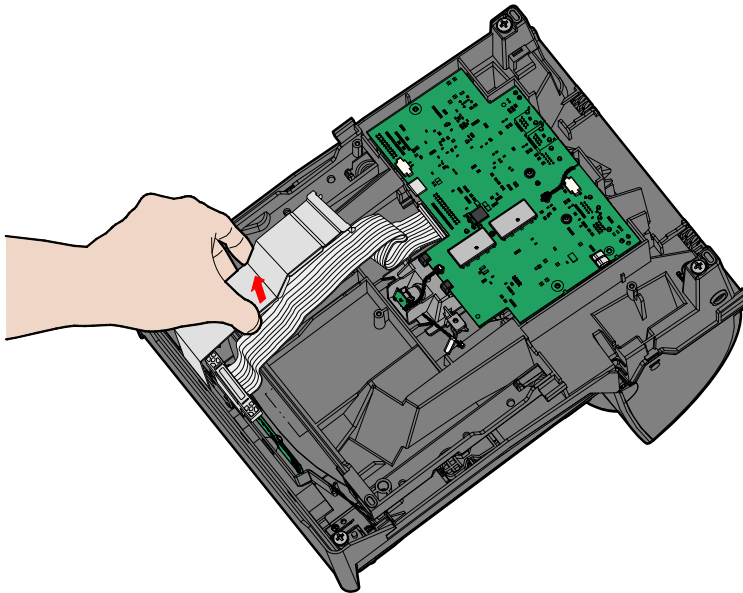
## Install the Scale Cable

1. Connect the Scale Cable connector to the digital board.



25989

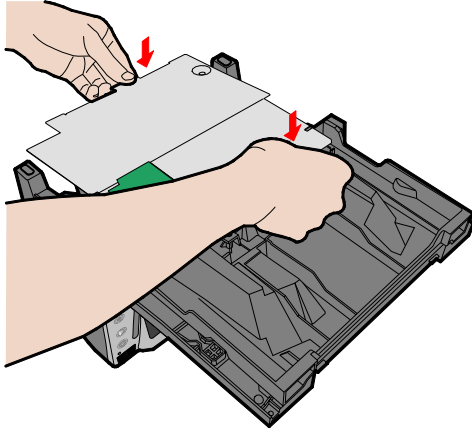
2. Install the Scale Cable Cover.



25897

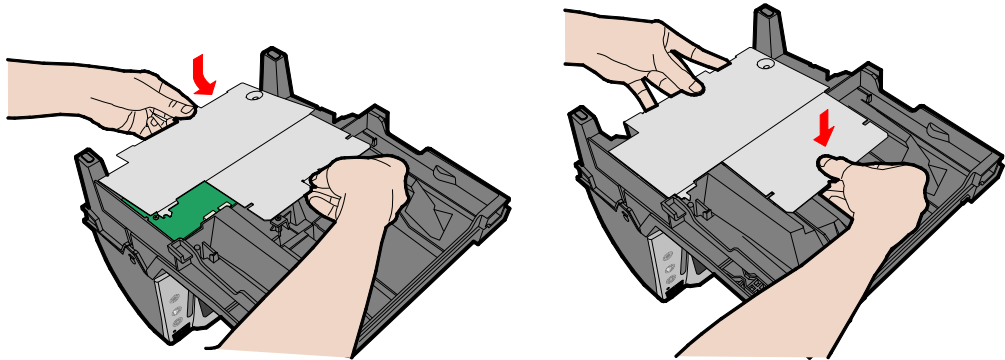
## Install the Bottom Electronics Cover

1. Position the bottom electronics cover to its proper location on the bottom of the unit and ensure that it does not catch on the Digital Board external connectors.



25595

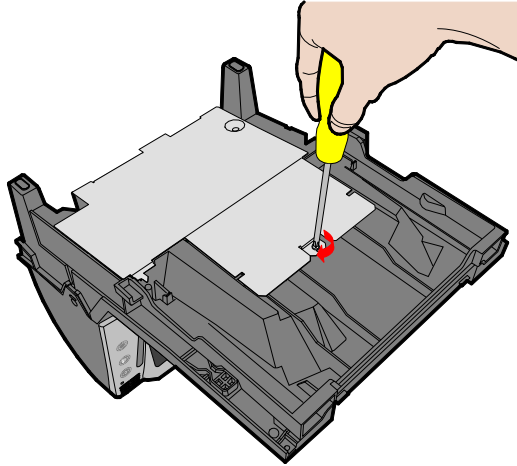
2. Gently slide the bottom electronics cover towards the front end of the scanner and gently push down on it until it locks in place.



25534

**Note:** Ensure the tabs on the rear of the bottom electronics cover are engaged to the scanner base.

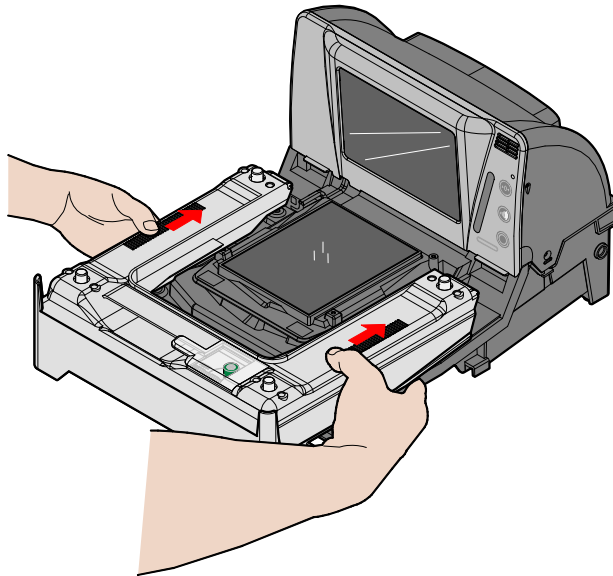
3. Install the mounting screw.



25531

**Caution:** Damage may occur to the Digital Board and external connectors if the bottom electronics cover is forcibly installed while caught on the external connectors.

4. Turn the 7874 right side up. Be careful not to scratch the bezel.
5. Connect the external cables to the scanner.
6. Turn the scanner right-side up.

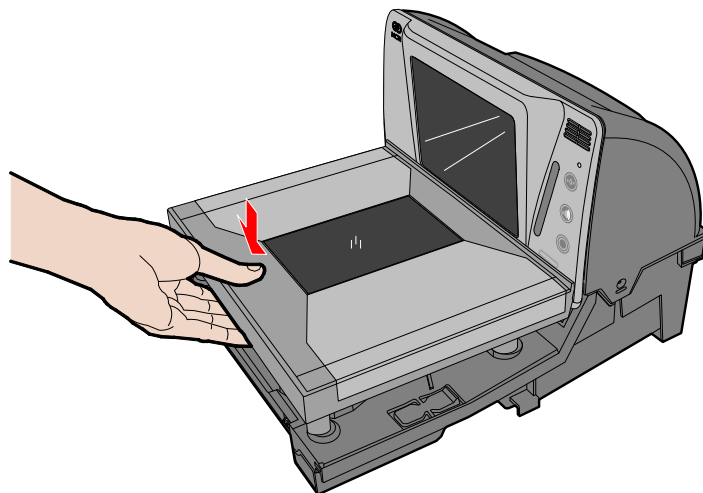


25895

7. Turn the scanner over.

## Install the Top Plate

1. Lay down the Top Plate directly onto the four support posts on the scanner.



25517

2. Plug the scanner to power source.

# Programming Instructions

## Activate and Calibrate the Scale

To enable the scale, regardless of whether it is used in kilograms or pounds, you must first scan the following sequence of barcodes.

**Note:** Refer to “*Appendix A: NCR Scanner Programming Tags*” for the bar codes.

1. Scan RESET or Power Cycle the unit.
  - PROGRAM MODE
  - HEX 3
  - HEX 0
  - HEX 3
  - SAVE&RESET

The unit then gives you a Scale Failed Code 7 error.

2. Select **kg** or **lb**.

### KILOGRAMS

To enable the scale for use in areas requiring Kilograms, the scanner must be programmed to both enable the scale, and to use metric units. Use the standard programming barcodes.

1. Scan RESET or Power Cycle the unit.
  - PROGRAM MODE
  - HEX 3
  - HEX 0
  - HEX 1
2. At this point, the unit says “Enter Kilograms calibration”.
3. Perform calibration procedure.

## POUNDS

To enable the scale for use in areas requiring Pounds, the scanner must be programmed to both enable the scale, and to use English units. Use the standard programming barcodes.

1. Scan RESET or Power Cycle the unit
  - PROGRAM MODE
  - HEX 3
  - HEX 0
  - HEX 2
2. At this point, the unit says "Enter Pounds calibration".
3. Perform calibration procedure.

## Calibration Procedure

**Note:** Perform the Scale Calibration Procedure after installing the new scale. Refer to the *NCR RealPOS Low Profile Bi-Optic Scanner/Scale (7874) User Guide (B005-0000-1822)* or *NCR RealPOS Low Profile Bi-Optic Scanner/Scale (7874) Hardware Service Guide (B005-0000-1823)* for more information on Scale Calibration.

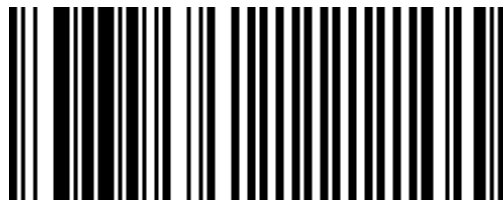
# Appendix A: NCR Scanner Programming Tags

Reset



11818

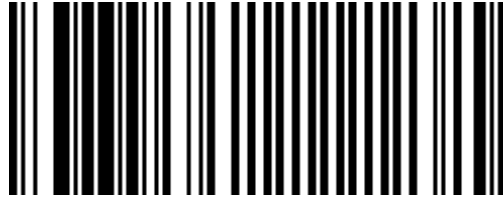
Programming Mode



R0042



Save and Reset



R0044

Hex 0



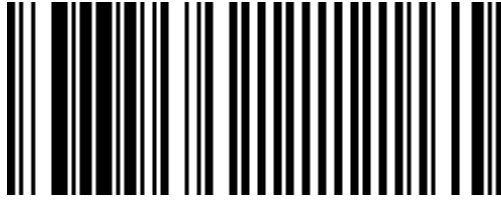
R0048

Hex 1



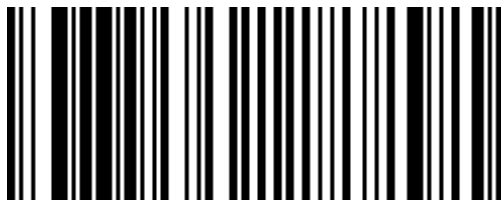
R0049

Hex 2



R0050

Hex 3



R0051