

Kit Instructions

NCR Tablet Hand and Shoulder Straps

7779-K020 and K021
Issue A



The product described in this book is a licensed product of NCR Corporation.

NCR is a registered trademark of NCR Corporation. NCR RealPOS is a trademark of NCR Corporation in the United States and/or other countries. Other product names mentioned in this publication may be trademarks or registered trademarks of their respective companies and are hereby acknowledged.

The terms HDMI and HDMI High-Definition Multimedia Interface, and the HDMI Logo are trademarks or registered trademarks of HDMI Licensing LLC in the United States and other countries.

Where creation of derivative works, modifications or copies of this NCR copyrighted documentation is permitted under the terms and conditions of an agreement you have with NCR, NCR's copyright notice must be included.

It is the policy of NCR Corporation (NCR) to improve products as new technology, components, software, and firmware become available. NCR, therefore, reserves the right to change specifications without prior notice.

All features, functions, and operations described herein may not be marketed by NCR in all parts of the world. In some instances, photographs are of equipment prototypes. Therefore, before using this document, consult with your NCR representative or NCR office for information that is applicable and current.

To maintain the quality of our publications, we need your comments on the accuracy, clarity, organization, and value of this book. Please use the link below to send your comments.

Email: FD230036@ncr.com

Copyright © 2018
By NCR Corporation
Atlanta, GA U.S.A.
All Rights Reserved

Revision Record

Issue	Date	Remarks
A	Apr 2018	First Issue

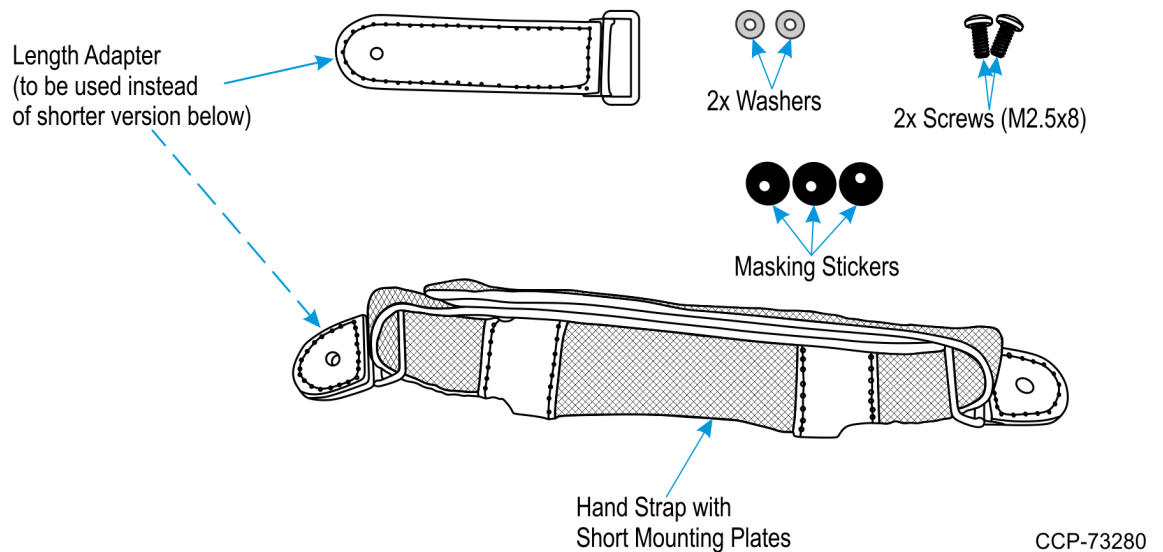
NCR Tablet Hand and Shoulder Straps

The following kits are straps for the 8-inch or 10-inch NCR Tablet (7779):

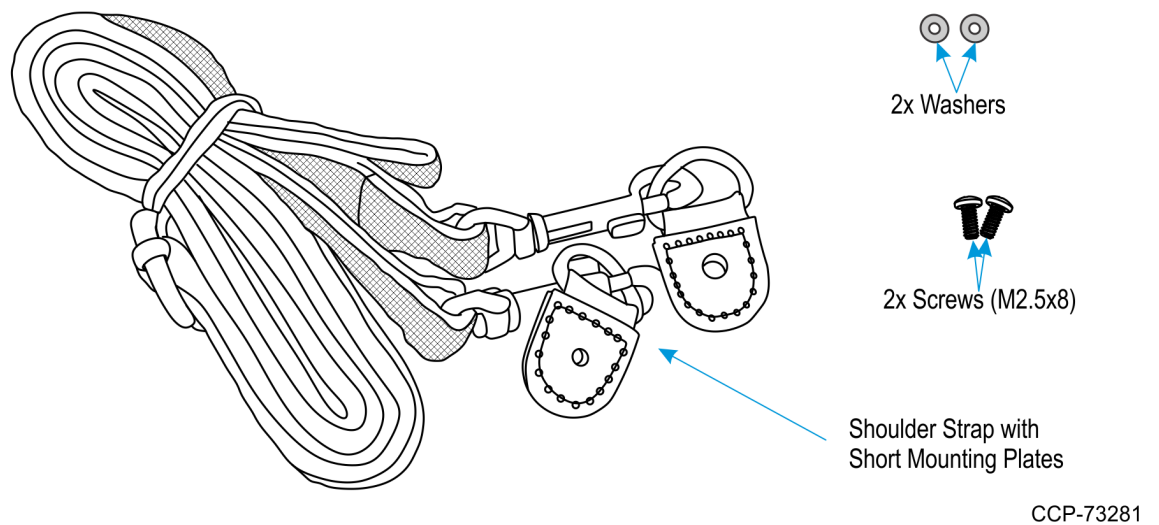
- 7779-K020 – Hand Strap
- 7779-K021 – Shoulder Strap

Kit Contents

Hand Strap (7779-K020)

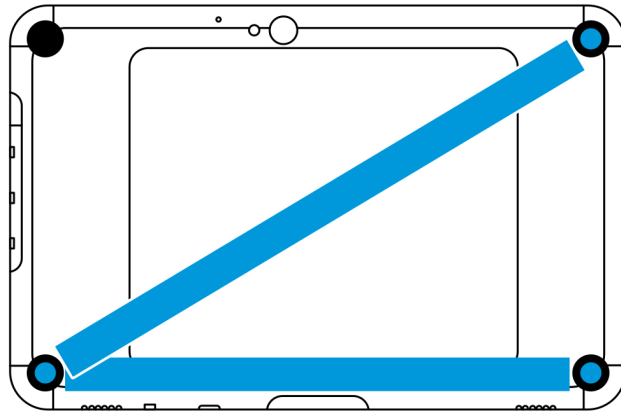


Shoulder Strap (7779-K021)



Attachment Options

8-inch Tablet

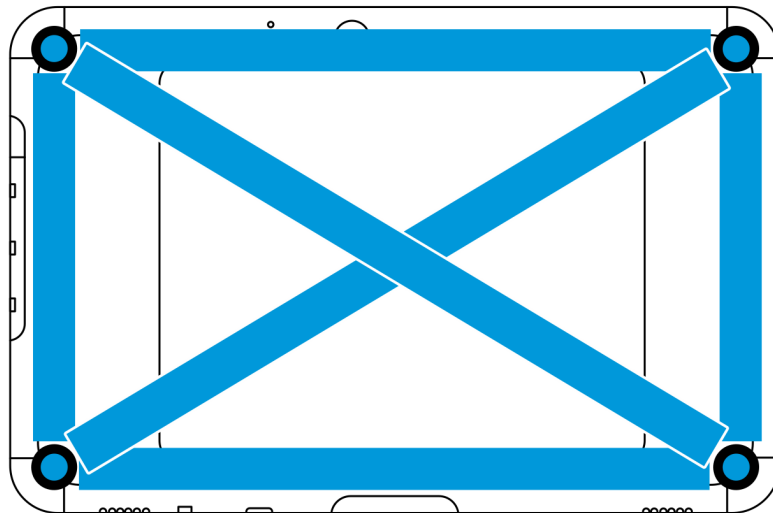


Hand Strap

Shoulder Strap

CCP-73282

10-inch Tablet



Hand Strap

Shoulder Strap

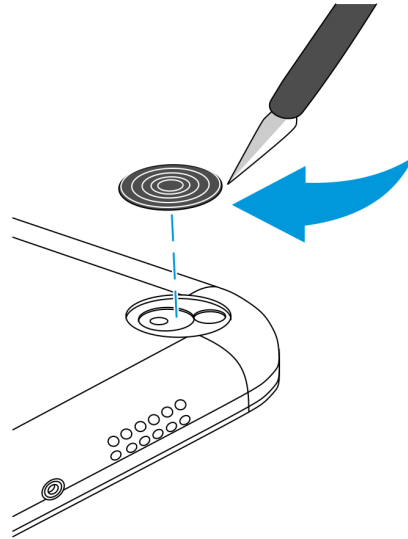
CCP-73283

Installation Procedure

1. Using a sharp knife, carefully pry off the protective metallic stickers from the desired mounting locations.

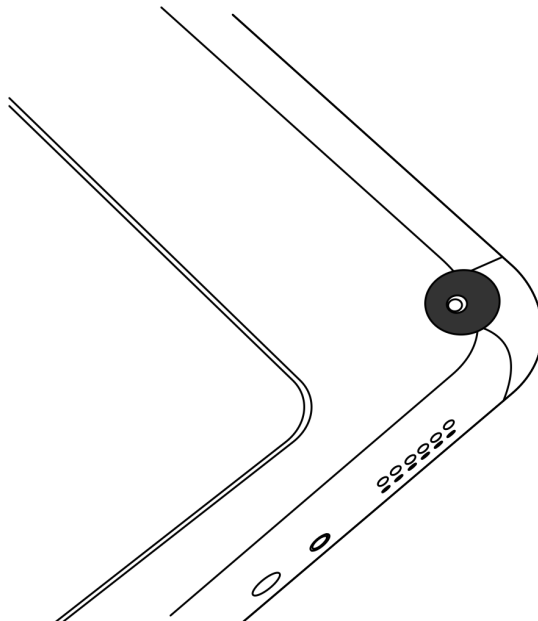


Note: For the different mounting location options, see [Attachment Options](#) on the previous page.



CCP-73284

2. Insert the masking sticker into the opening. Ensure the screw hole is aligned.

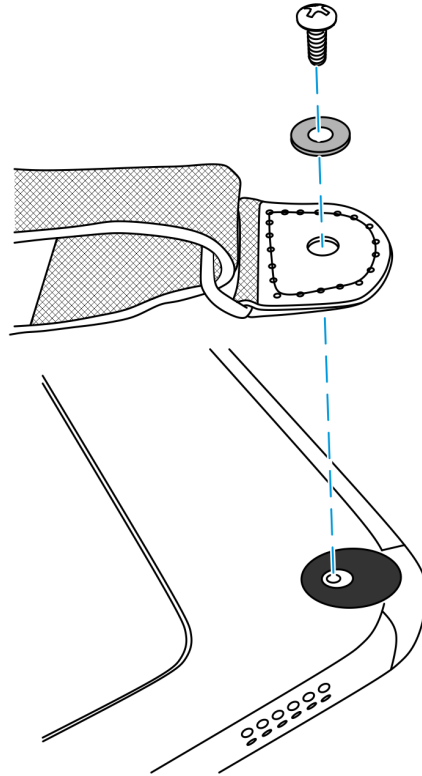


CCP-73285

3. Thread the screw through the washer and strap into the screw hole and tighten.



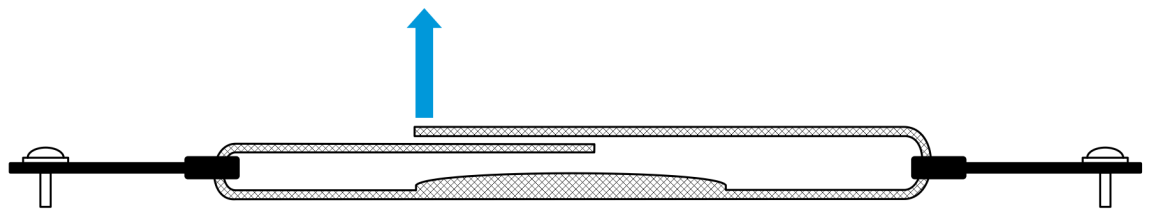
Note: Two mounting positions are needed for the hand strap and shoulder strap. The same positions may be used to mount both hand strap and shoulder strap on the same tablet.



CCP-73286

Hand Strap Length Adjustment

Pull the end of the Velcro band to adjust the length of the hand strap.



CCP-73287