

# Kit Instructions

Japan MSR Filler Label

7709-K905  
Issue A



---

The product described in this document is a licensed product of NCR Corporation.

NCR is a registered trademark of NCR Corporation. NCR SelfServ™ is a trademark of NCR Corporation in the United States and/or other countries. Other product names mentioned in this publication may be trademarks or registered trademarks of their respective companies and are hereby acknowledged.

The terms HDMI and HDMI High-Definition Multimedia Interface, and the HDMI Logo are trademarks or registered trademarks of HDMI Licensing LLC in the United States and other countries.

Where creation of derivative works, modifications or copies of this NCR copyrighted documentation is permitted under the terms and conditions of an agreement you have with NCR, NCR's copyright notice must be included.

It is the policy of NCR Corporation (NCR) to improve products as new technology, components, software, and firmware become available. NCR, therefore, reserves the right to change specifications without prior notice.

All features, functions, and operations described herein may not be marketed by NCR in all parts of the world. In some instances, photographs are of equipment prototypes. Software screen images are representative, and in some cases, may not match a customer's installed software exactly. Therefore, before using this document, consult with your NCR representative or NCR office for information that is applicable and current.

To maintain the quality of our publications, we need your comments on the accuracy, clarity, organization, and value of this book. Please use the link below to send your comments.

Email: [FD230036@ncr.com](mailto:FD230036@ncr.com)

Copyright © 2020  
By NCR Corporation  
864 Spring St. NW  
Atlanta, GA 30308  
United States  
All Rights Reserved

---

## Revision Record

Issue	Date	Remarks
A	Aug 2020	First Issue



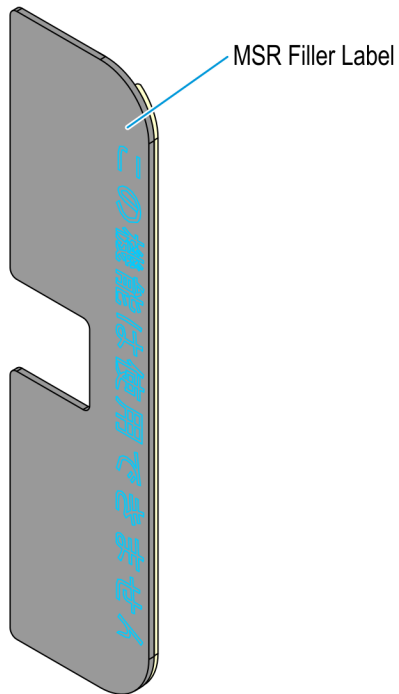
---

# Japan MSR Filler Label

---

This publication provides procedures for installing the MSR Filler Label to disable the MSR device on the NCR SelfServ™ 90 (7709) Kiosk.

## Kit Contents



CCP-79196

Part Number	Description
497-0528550	Kit - Japan MSR Filler Label
497-0528441	Filler, 7709 MSR Label (This Device is Disabled)
*	497-9999640 Padded Envelope, 6" x 10"
*	497-0423108 Instructions - Kit (Reference Sheet)

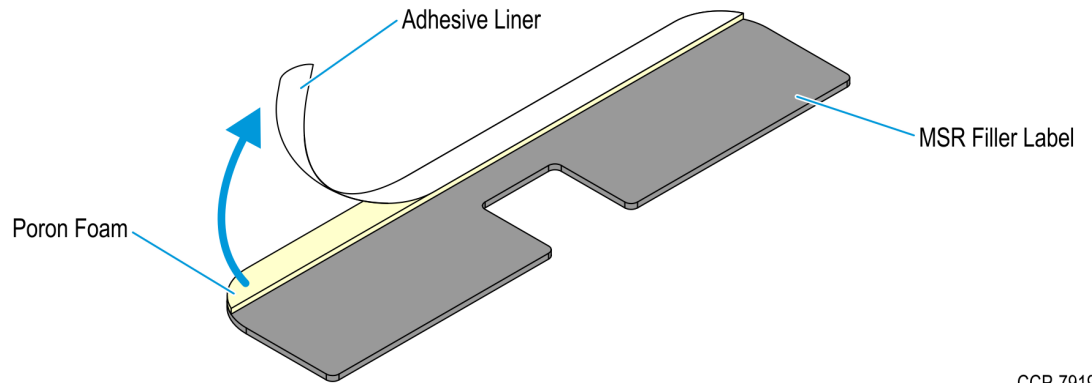
\* Items marked with an asterisk are not called out on the image.

## Installation Procedure

1. Remove the adhesive liner from the Poron Foam at the back of the MSR Filler Label.



**Caution:** Ensure that the Poron Foam is not damaged; otherwise, the MSR Filler Label may not properly adhere to the MSR device.



CCP-79197

2. With the Poron Foam on the right-hand side, insert the Filler Label into the slot in the MSR device.



CCP-79198

3. Align the edges of the Filler Label with the edges of the MSR device, and then apply pressure on the Filler Label to allow the adhesive to properly attach onto the MSR surface.



**Note:** Ensure that there is no gap between the Poron Foam and the MSR surface.

