

Kit Instructions

TPP Saturn 1000-L Mount

7709-K904
Issue A



The product described in this document is a licensed product of NCR Corporation.

NCR is a registered trademark of NCR Corporation. NCR SelfServ™ is a trademark of NCR Corporation in the United States and/or other countries. Other product names mentioned in this publication may be trademarks or registered trademarks of their respective companies and are hereby acknowledged.

The terms HDMI and HDMI High-Definition Multimedia Interface, and the HDMI Logo are trademarks or registered trademarks of HDMI Licensing LLC in the United States and other countries.

Where creation of derivative works, modifications or copies of this NCR copyrighted documentation is permitted under the terms and conditions of an agreement you have with NCR, NCR's copyright notice must be included.

It is the policy of NCR Corporation (NCR) to improve products as new technology, components, software, and firmware become available. NCR, therefore, reserves the right to change specifications without prior notice.

All features, functions, and operations described herein may not be marketed by NCR in all parts of the world. In some instances, photographs are of equipment prototypes. Software screen images are representative, and in some cases, may not match a customer's installed software exactly. Therefore, before using this document, consult with your NCR representative or NCR office for information that is applicable and current.

To maintain the quality of our publications, we need your comments on the accuracy, clarity, organization, and value of this book. Please use the link below to send your comments.

Email: FD230036@ncr.com

Copyright © 2020
By NCR Corporation
864 Spring St. NW
Atlanta, GA 30308
United States
All Rights Reserved

Revision Record

Issue	Date	Remarks
A	Aug 2020	First Issue

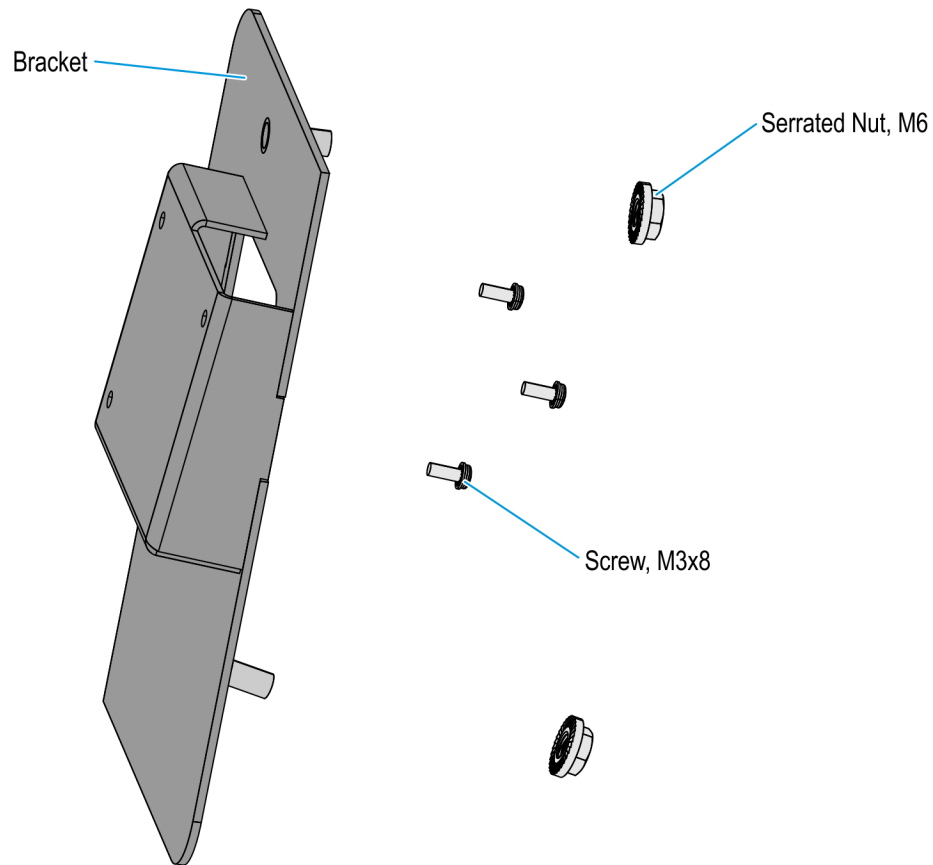
TPP Saturn 1000-L Mount

This publication provides procedures for installing the TPP Saturn 1000-L device using a mounting bracket on the NCR SelfServ™ 90 (7709) Kiosk.



Note: The TPP Saturn 1000-L device is provided by the customer.

Kit Contents



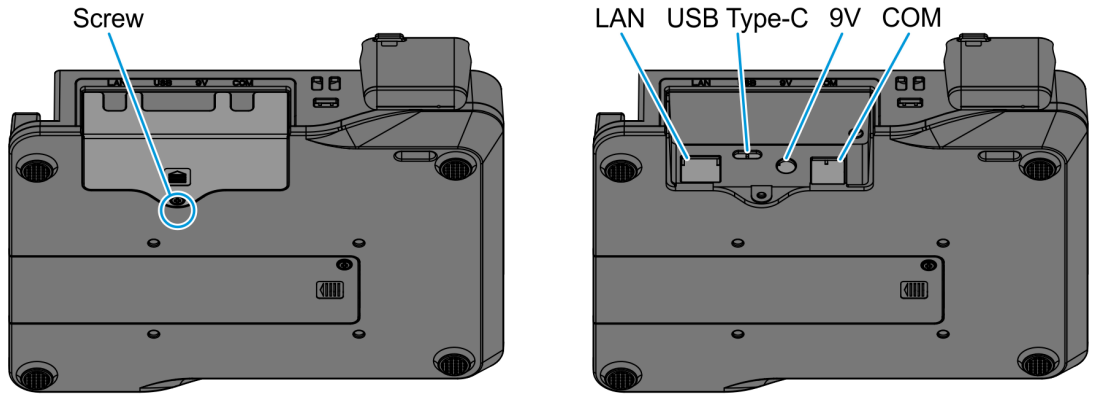
CCP-79461

Part Number	Description
497-0528347	Kit - TPP Saturn 1000-L Mount
497-0528349	PIN Pad Bracket, Saturn 1000-L
006-8604588	Screw, M3x8, Sems, Phil, Pan, Stl, Z (3 pcs)
006-8622925	Locknut, Hex, Serrated, M6 (2 pcs)
*	497-0423108 Instructions - Kit (Reference Sheet)

* Items marked with an asterisk are not called out on the image.

Installation Procedure

1. Connect the cables to the Saturn 1000-L device.



CCP-79459

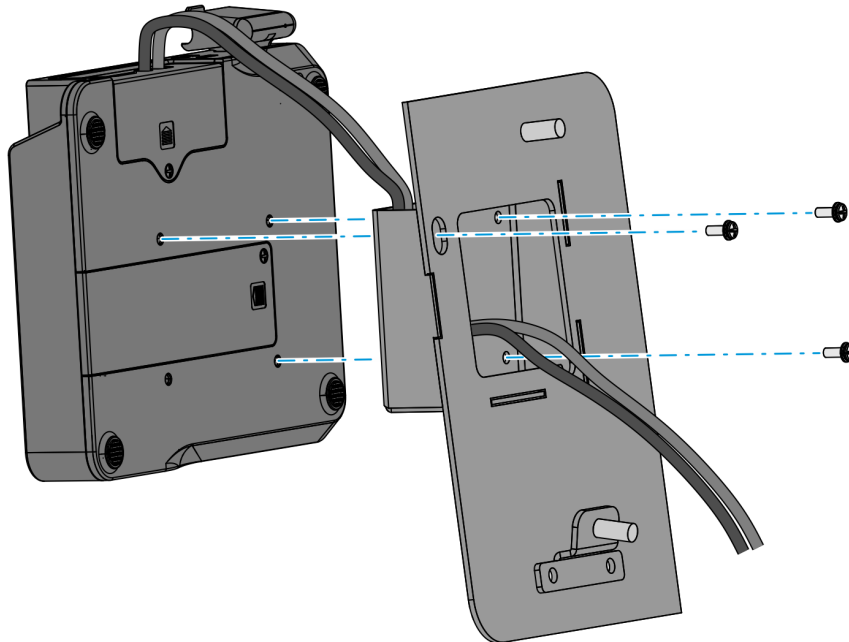
- a. Remove the back cover by removing the screw indicated in the above image.
- b. Connect the cables to their corresponding ports.



Note: Cable connections may vary depending on customer configuration.

- c. Reinstall the back cover and secure using the screw.

2. Install the Saturn 1000-L onto its mounting bracket.



CCP-79460

- a. Route the cables through the cable access hole on the bracket.
- b. Align the Saturn 1000-L mounting holes with the bracket mounting holes, and then secure the Saturn 1000-L using three M3x8 screws.

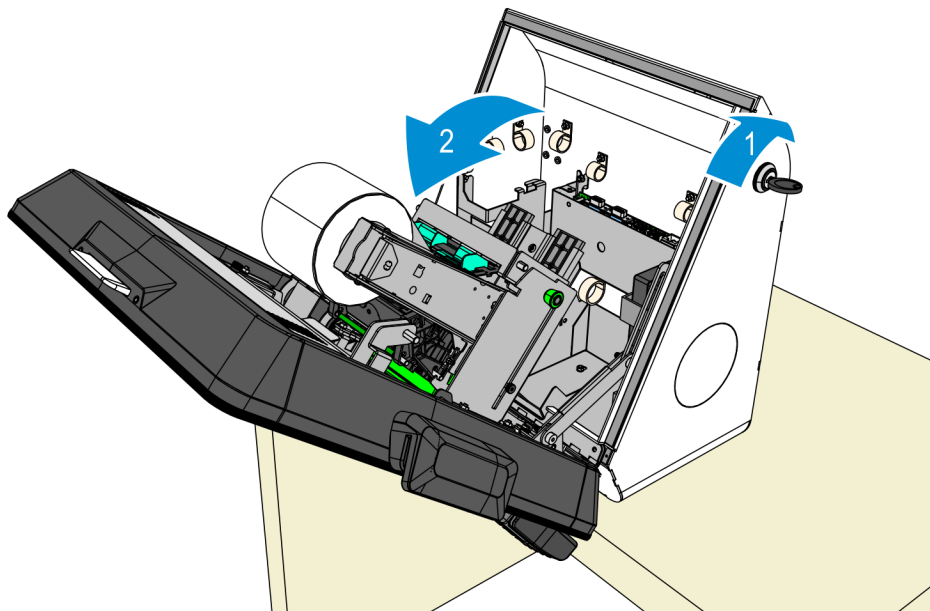
3. Open the kiosk. Insert the key into the lock, turn the key clockwise, and carefully open the front of the kiosk.
 - For **7709 R1.0 and R1.1** units, the lock is located at the back of the kiosk.
 - For **7709 R1.2 and R2.x** units, the lock is located at the right-hand side of the kiosk.



Caution: Do NOT abruptly open and release the front of the kiosk. Hold and support the front of the kiosk until fully extended.

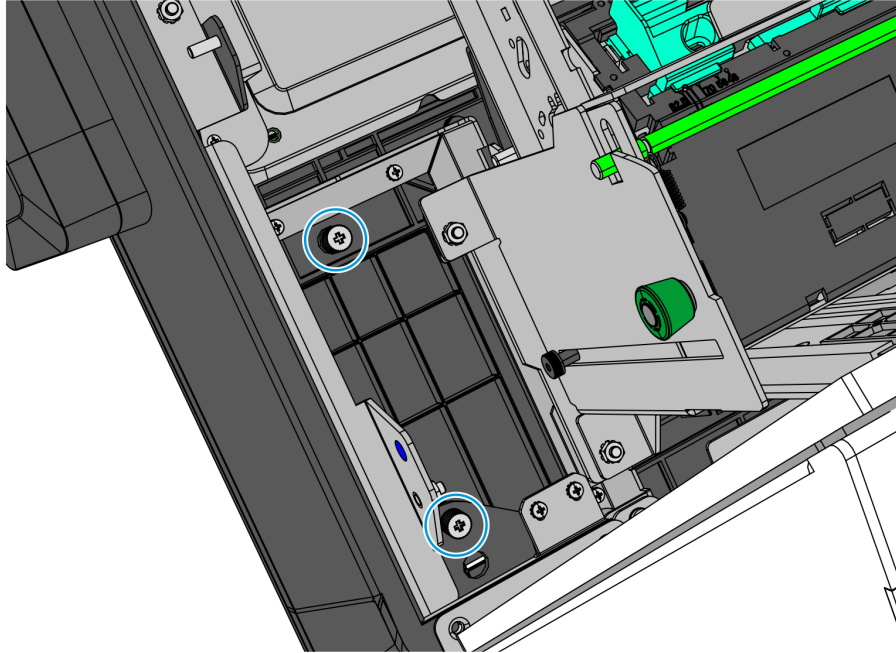


Note: The following image shows a 7709 R1.2 unit.



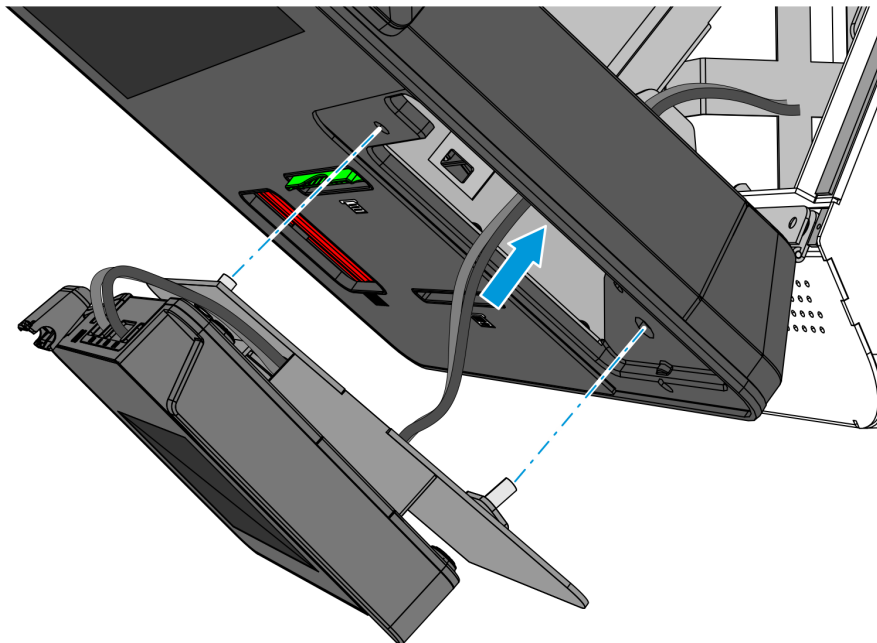
CCP-73618

4. Remove the PIN Pad Blank Plate.
 - While holding the PIN Pad Blank Plate from outside the kiosk, loosen the two thumbscrews that secure the Blank Plate to the Display Head, and then remove the Blank Plate.



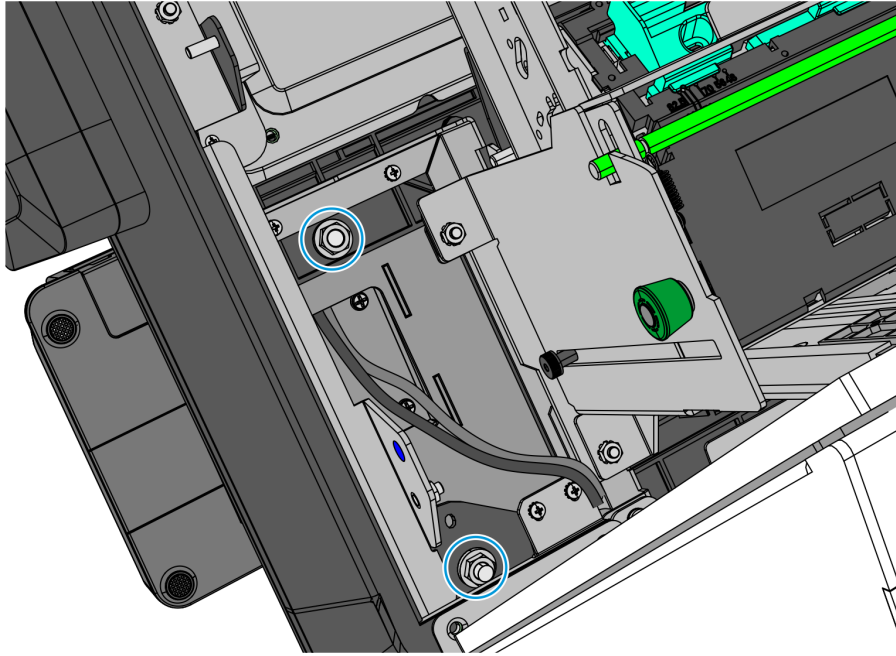
CCP-79457

5. Install the Saturn 1000-L Assembly on the Display Head.
 - a. Route the Saturn 1000-L cables through the opening on the Display Head and insert the bracket mounting studs into the Display Head mounting holes



CCP-79456

- b. Secure the Saturn 1000-L Assembly using two M6 nuts.



CCP-79458

- c. Connect the cables to their corresponding ports.



Note: Cable connections may vary depending on customer configuration.