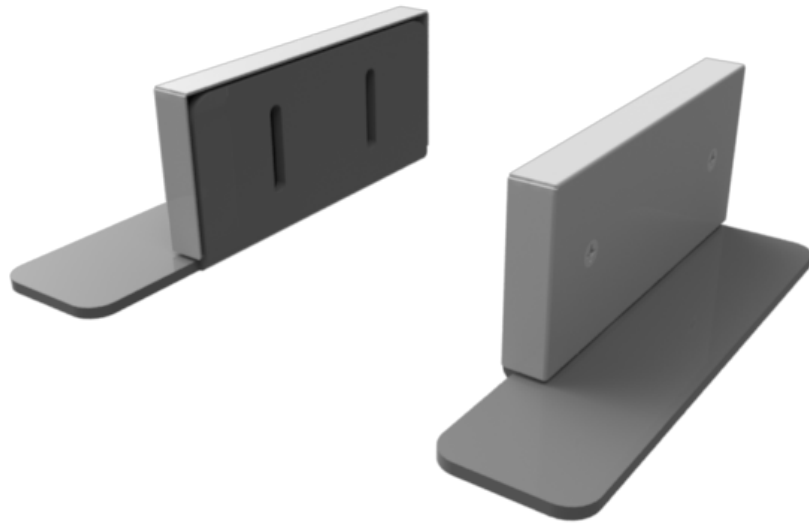


# KIT INSTRUCTIONS

## NCR SelfServ™ 90 (7709) Semi-Self Stabilizer Solution



7709-K902  
Issue A



---

The product described in this book is a licensed product of NCR Corporation.

NCR is a registered trademark of NCR Corporation. NCR SelfServ™ is a trademark of NCR Corporation in the United States and/or other countries. Other product names mentioned in this publication may be trademarks or registered trademarks of their respective companies and are hereby acknowledged.

The terms HDMI and HDMI High-Definition Multimedia Interface, and the HDMI Logo are trademarks or registered trademarks of HDMI Licensing LLC in the United States and other countries.

Where creation of derivative works, modifications or copies of this NCR copyrighted documentation is permitted under the terms and conditions of an agreement you have with NCR, NCR's copyright notice must be included.

It is the policy of NCR Corporation (NCR) to improve products as new technology, components, software, and firmware become available. NCR, therefore, reserves the right to change specifications without prior notice.

All features, functions, and operations described herein may not be marketed by NCR in all parts of the world. In some instances, photographs are of equipment prototypes. Therefore, before using this document, consult with your NCR representative or NCR office for information that is applicable and current.

To maintain the quality of our publications, we need your comments on the accuracy, clarity, organization, and value of this book. Please use the link below to send your comments.

*EMail:* [FD230036@ncr.com](mailto:FD230036@ncr.com)

Copyright © 2017  
By NCR Corporation  
Duluth, GA U.S.A.  
All Rights Reserved

## Revision Record

Issue	Date	Remarks
A	May 2017	First Issue

---

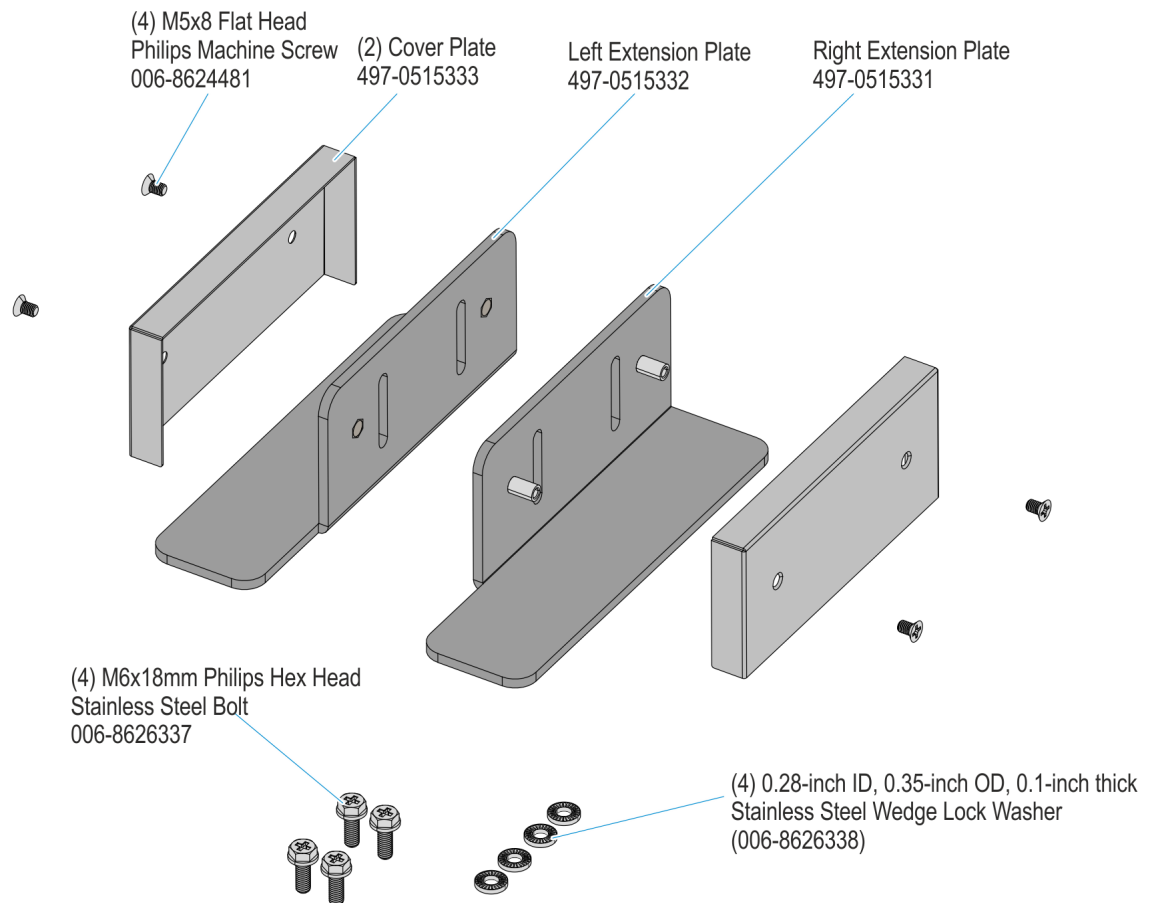
# Semi-Self Stabilizer Solution

---

## Introduction

This kit provides components to stabilize the SS90 Semi-Self configuration.

## Kit Contents



CCP-71664

## Tools Required


The following tools are required to install this kit:

- #2 Phillips Screwdriver
- **10mm** Nut Driver

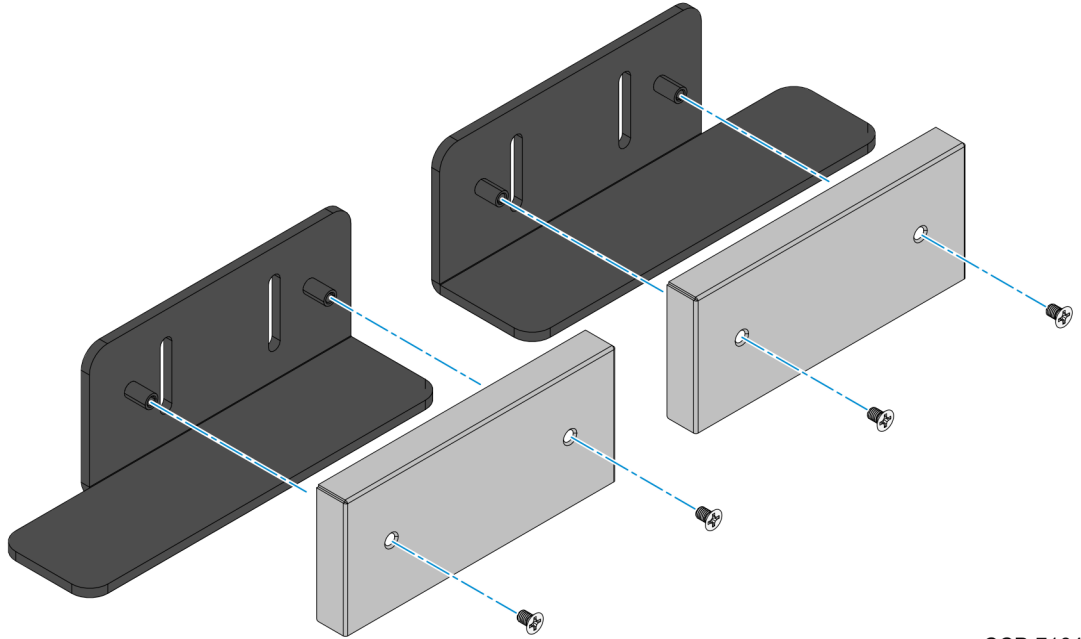


**Note:** It is highly recommended to use magnetized screwdrivers to easily handle the screws.

## Installation Procedure

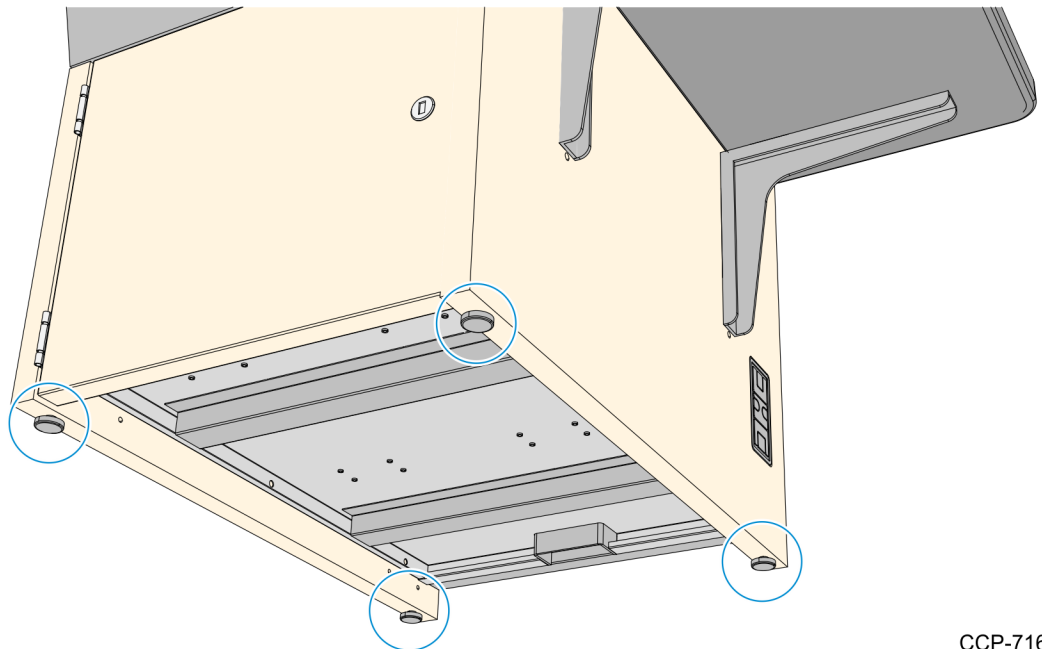
 **Warning:** Disconnect the AC power cord before disassembling the Terminal.

1. Remove the Cover Plate on each extension plate set by removing the M5 flat head screws (2). Place the screws (4) inside the zip bag to secure them.



CCP-71645

2. Make sure that all four leveling feet in the Kiosk pedestal is properly leveled on the ground.

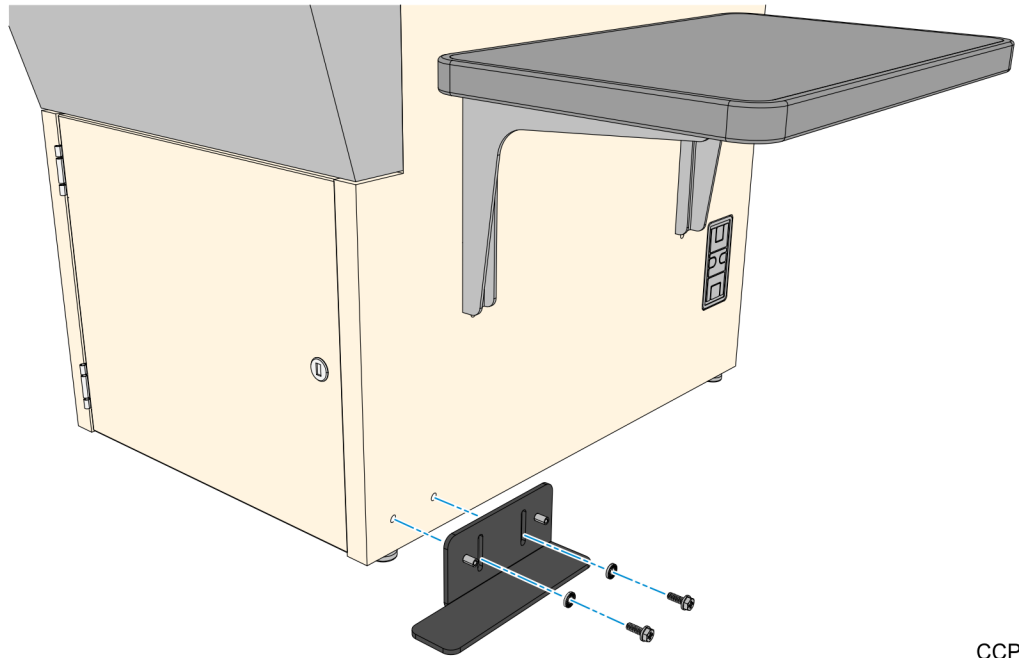


CCP-71646

3. Attach and secure the Right Extension plate to the pedestal using bolts (2) and wedge washers (2). Use a **10mm** nut driver with a torque limiter setup to 45 in-lbs.

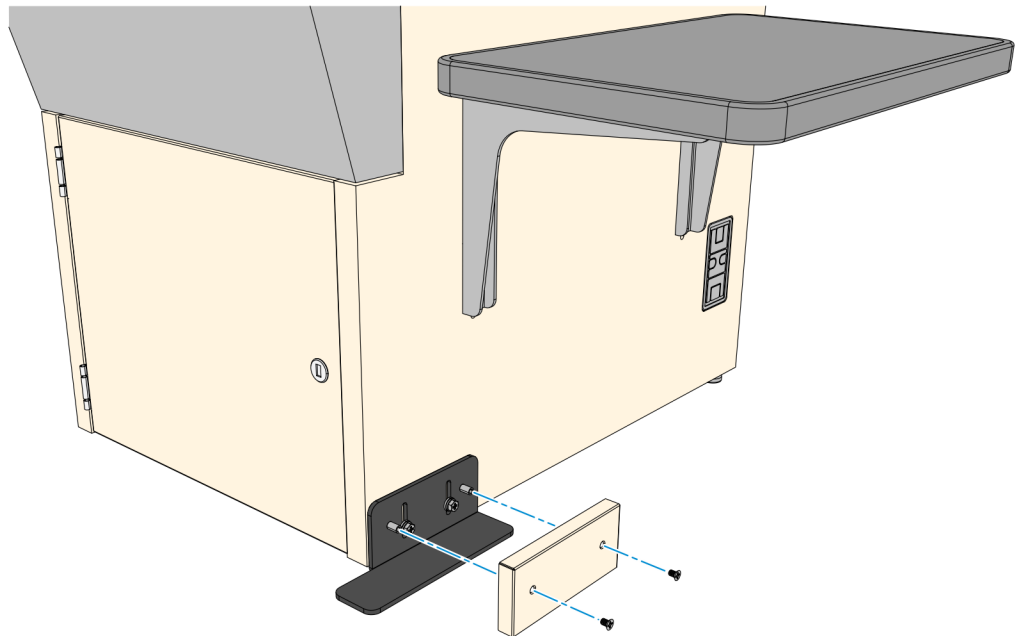


**Note:** Make sure that the Extension plate sits flat on the ground, leveled along with the pedestal leveling feet.



CCP-71647

4. Attach and secure the Cover to the Extension Plate using M5 flat screws (2). Use a #2 Phillips screwdriver with a torque limiter setup to 20.0 in-lbs.

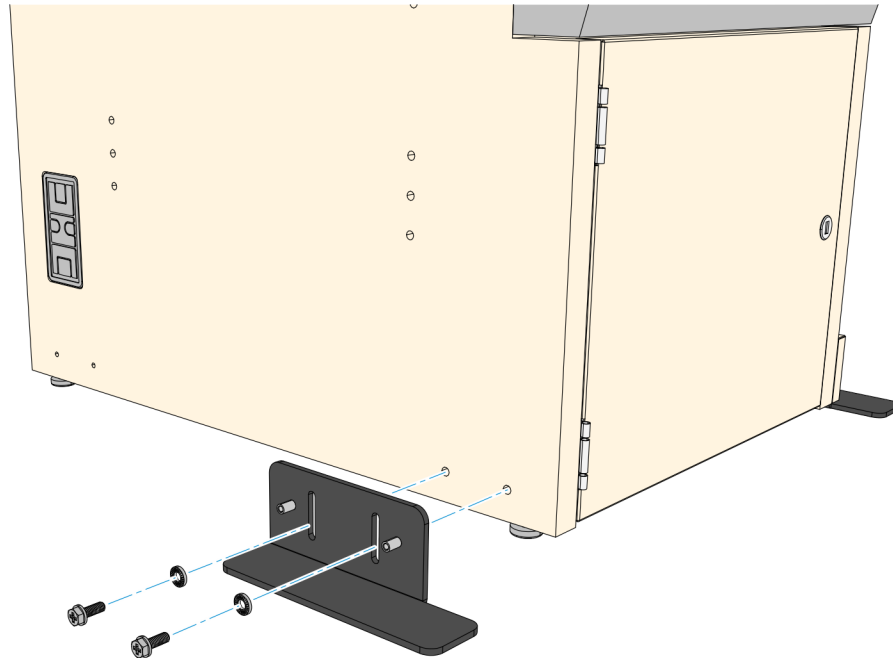


CCP-71648

5. Attach and secure the Left Extension plate to the pedestal using bolts (2) and wedge washers (2). Use a **10mm** nut driver with a torque limiter setup to 45 in-lbs.

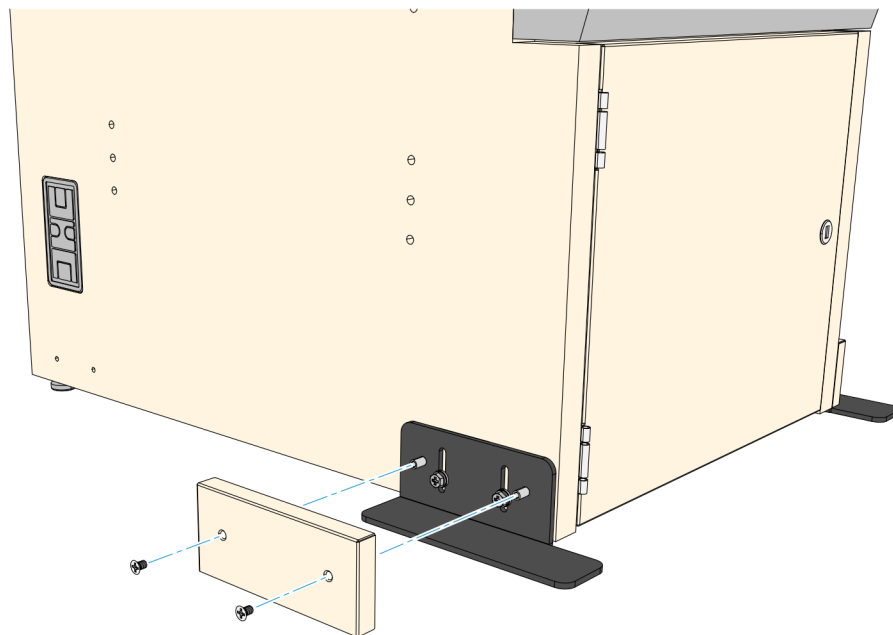


**Note:** Make sure that the Extension plate sits flat on the ground, leveled along with the pedestal leveling feet.



CCP-71649

6. Attach and secure the Cover to the Extension Plate using M5 flat screws (2). Use a #2 Phillips screwdriver with a torque limiter setup to 20.0 in-lbs.



CCP-71650