

Kit Instructions

SelfServ™ 90 Security Scale Counter Top



7709-K710
Issue B



The product described in this document is a licensed product of NCR Corporation.

NCR is a registered trademark of NCR Corporation. NCR SelfServ™ is a trademark of NCR Corporation in the United States and/or other countries. Other product names mentioned in this publication may be trademarks or registered trademarks of their respective companies and are hereby acknowledged.

The terms HDMI and HDMI High-Definition Multimedia Interface, and the HDMI Logo are trademarks or registered trademarks of HDMI Licensing LLC in the United States and other countries.

Where creation of derivative works, modifications or copies of this NCR copyrighted documentation is permitted under the terms and conditions of an agreement you have with NCR, NCR's copyright notice must be included.

It is the policy of NCR Corporation (NCR) to improve products as new technology, components, software, and firmware become available. NCR, therefore, reserves the right to change specifications without prior notice.

All features, functions, and operations described herein may not be marketed by NCR in all parts of the world. In some instances, photographs are of equipment prototypes. Software screen images are representative, and in some cases, may not match a customer's installed software exactly. Therefore, before using this document, consult with your NCR representative or NCR office for information that is applicable and current.

To maintain the quality of our publications, we need your comments on the accuracy, clarity, organization, and value of this book. Please use the link below to send your comments.

Email: FD230036@ncr.com

Copyright © 2019
By NCR Corporation
864 Spring St. NW
Atlanta, GA 30308
United States
All Rights Reserved

Revision Record

Issue	Date	Remarks
A	Apr 2016	First Issue
B	Sep 2019	Added the minimum and maximum capacity of the scale with bagrack

Security Scale Counter Top

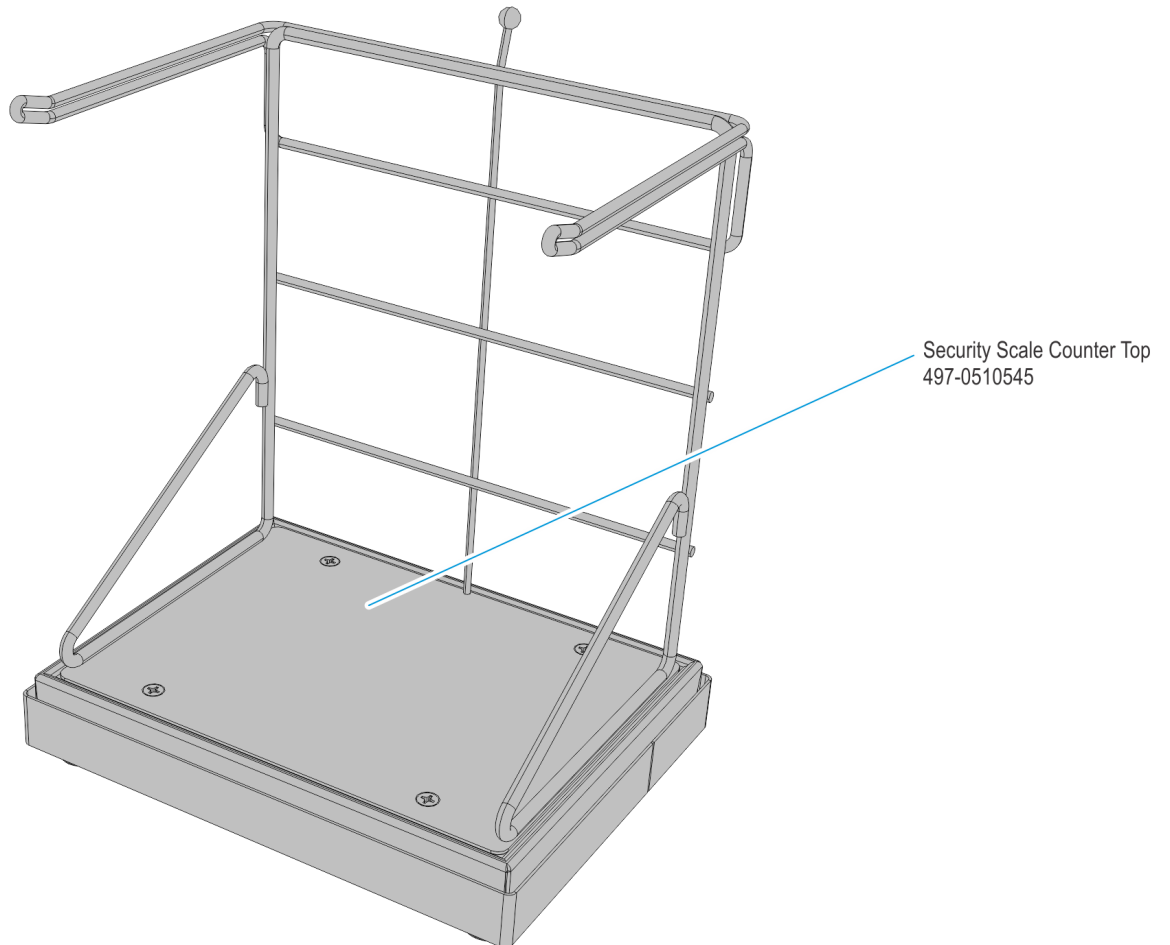
Introduction

This kit provides the components to install a security scale integrated to the NCR SelfServ™ 90 Kiosk.

The following table shows the minimum and maximum capacity of the scale with bagrack.

	pound (lb)	kilogram (kg)
Minimum allowable weight	0.040	0.018
Maximum allowable weight	30.000	13.610

Kit Contents



Mounting Holes

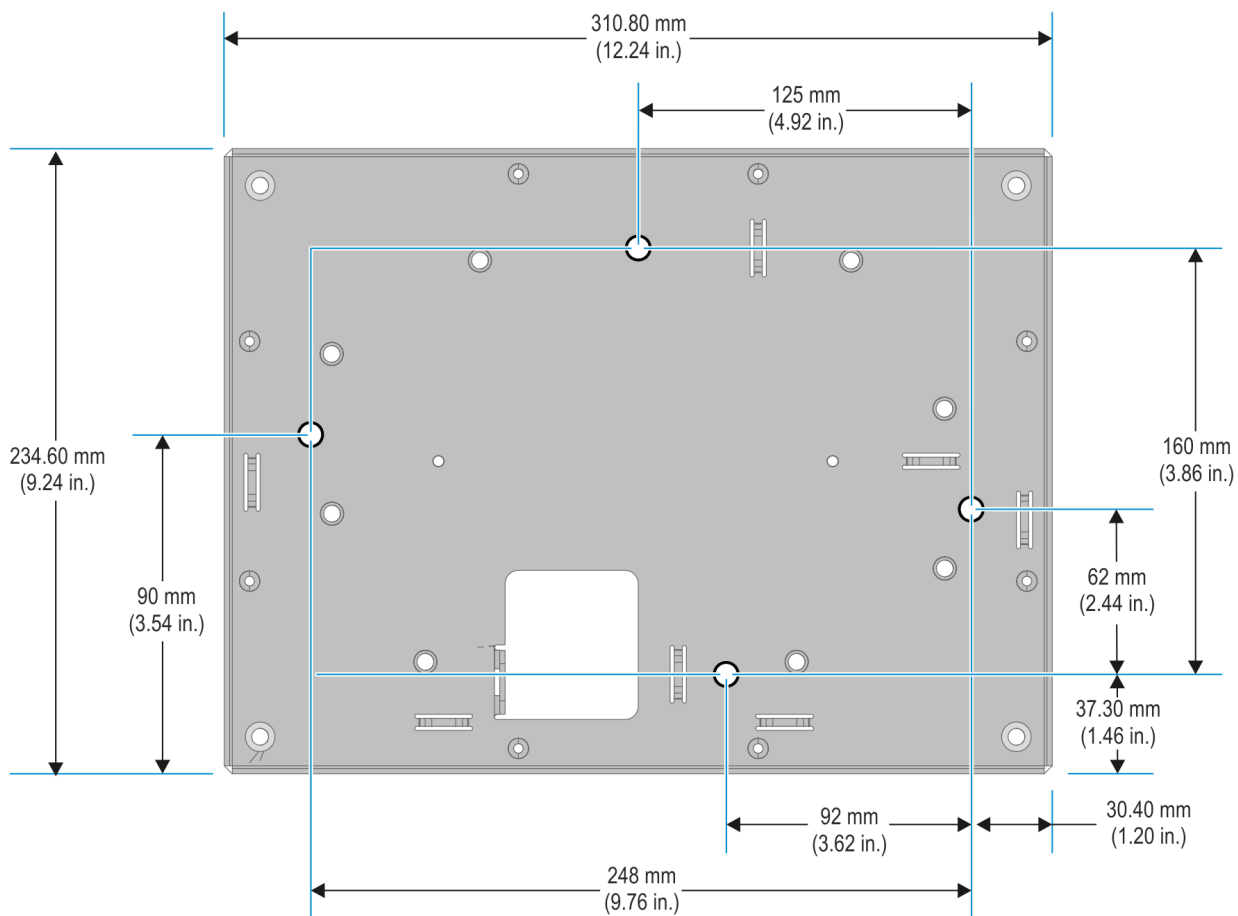
Four (4) mounting holes at the base plate provides the option to anchor and secure the Counter Top Scale in position. The mounting hole dimensions are shown in the illustration below.

The anchors used to bolt the security scale are customer supplied.



Note: Before bolting the scale, make sure that the scale is properly level, adjust the leveling mounts as necessary.

Four (4) Mounting Holes
Diameter = 9 mm (0.35 in.)

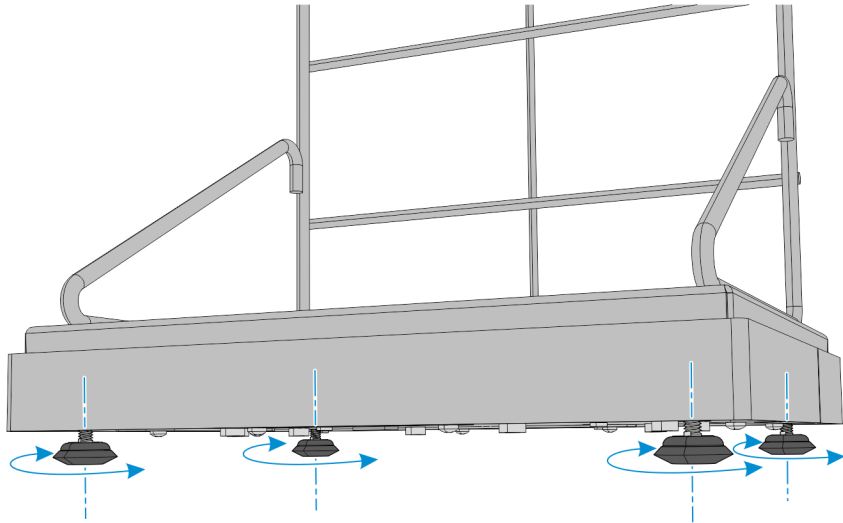


CCP-60846

Installation Procedure

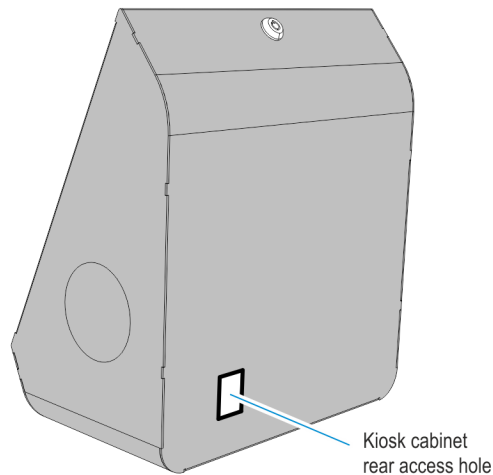
The Counter Top Security Scale can be anchored to the counter top to secure the scale. If the scale will be anchored to the counter top, refer to the "[Bolting the Security Scale](#) on page 5" section in this instruction sheet and perform the procedure. If not, perform the steps below to install the scale.

1. Position the scale in its installation location.
2. Adjust the leveling mounts (4) as necessary until the scale is level.



CCP-61376

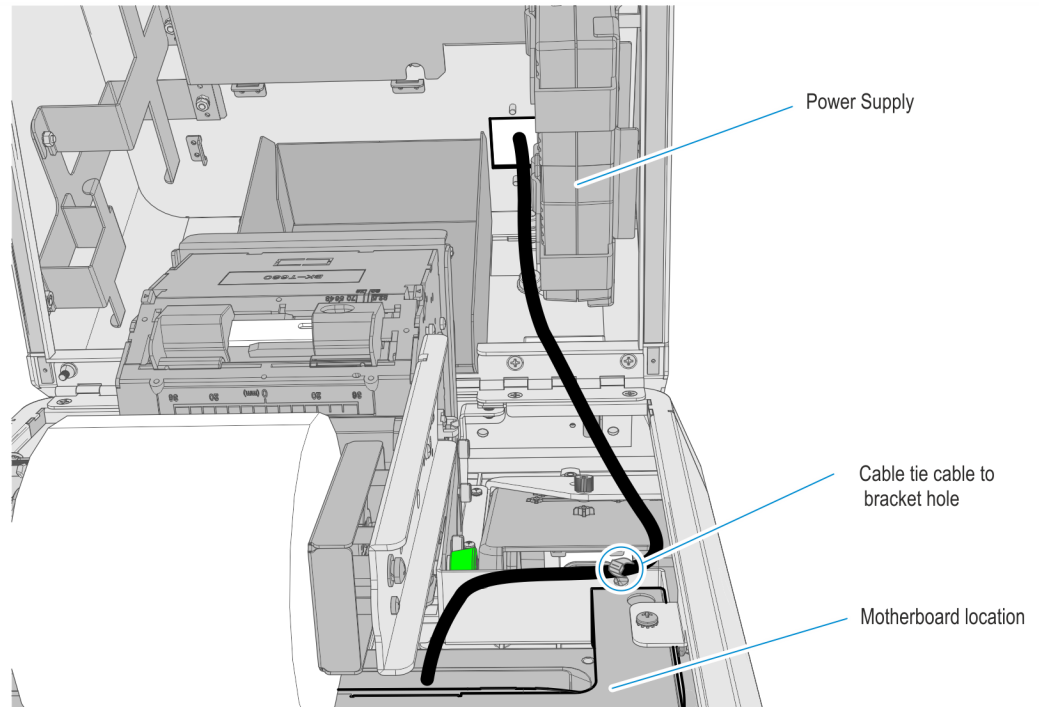
3. Route the Scale USB Cable into the Kiosk Cabinet through the rear access hole.



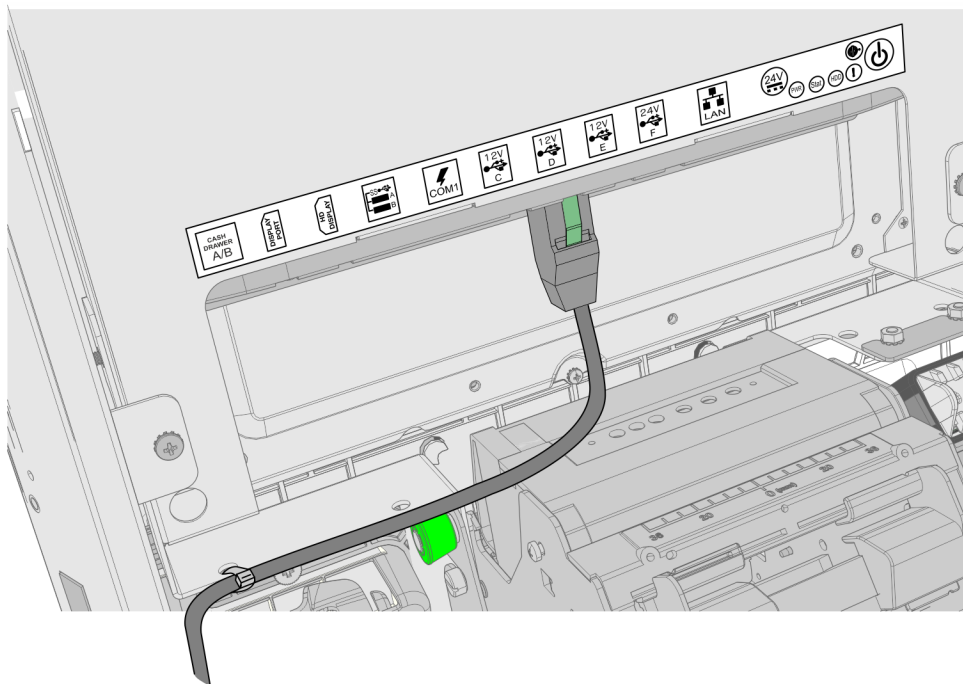
Kiosk cabinet
rear access hole

CCP-61370

4. Inside the cabinet, route the cable towards the motherboard and plug the connector to the **USB D** USB+12V power port. Cable tie the cable with other cables as necessary.



CCP-60851

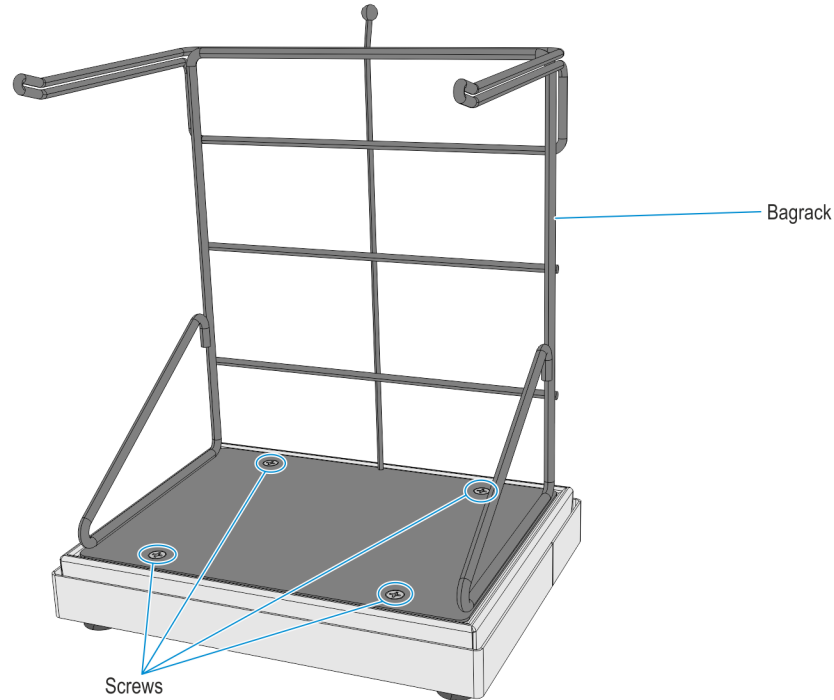


CCP-60852

5. Place and secure the excess cable length outside of the Kiosk Cabinet.
6. Check that all modules in the Kiosk are working properly.

Bolting the Security Scale

1. Remove the screws (4) that secures the bagrack to the base assembly and remove the bagrack.

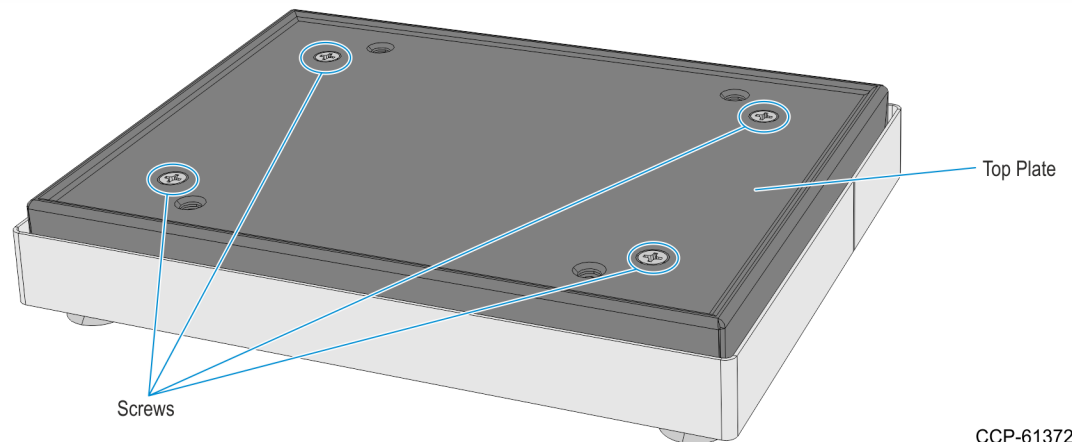


CCP-61371

2. Remove the screws (4) that secure the top plate to the base assembly and remove the top plate.

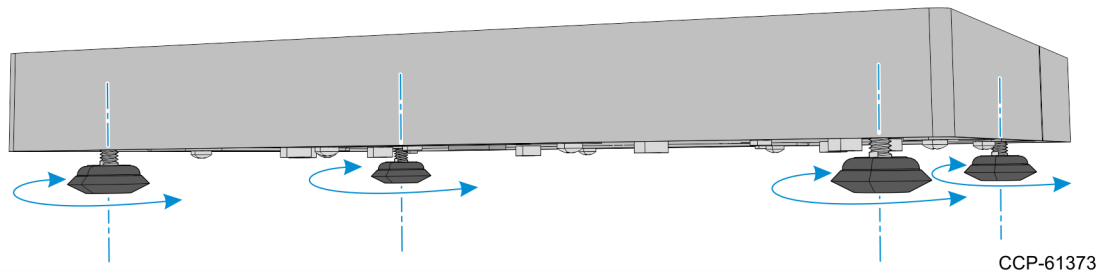


Caution: Once the top plate is removed, the scale controller, cables, scale pods are exposed. Do NOT interchange the connections of the pod cables to the scale controller ports as this could cause the scale to malfunction. Move the cable wires carefully and make sure that they are not strained.

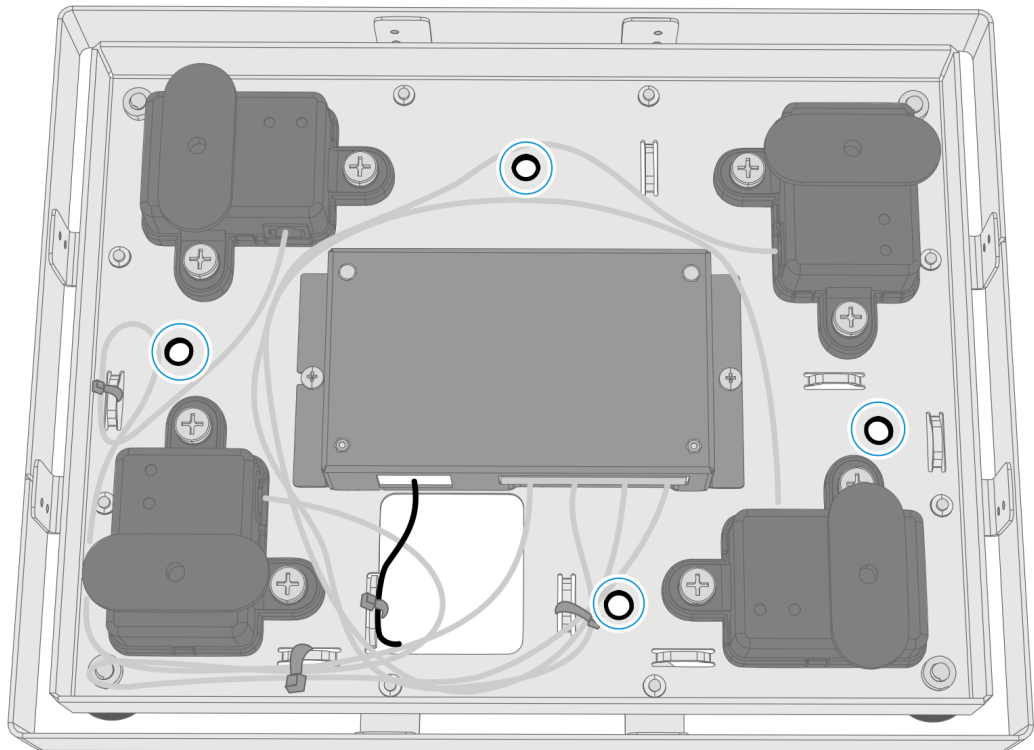


CCP-61372

3. Position the base assembly on its installation location and adjust the level mounts (4) as necessary until the base is level.



4. Mark the anchor holes of the base on the counter top. Refer to the "[Mounting Holes](#) on page 2" section in this instruction sheet for the mounting hole dimensions.

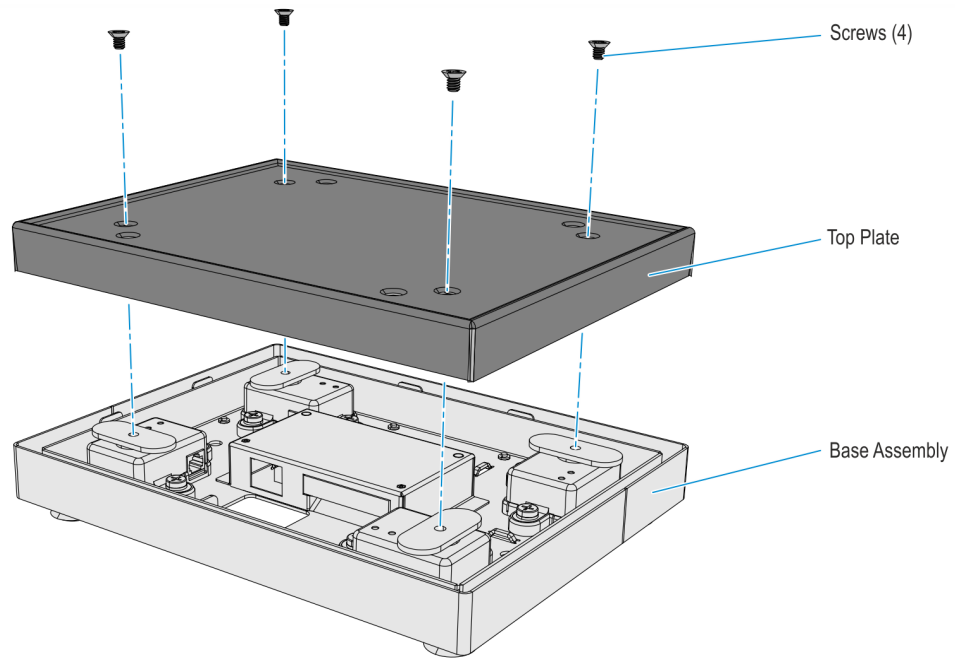


5. Remove the base assembly, drill the holes as necessary and install the anchors.
6. Position back the base assembly, adjust the leveling mounts as necessary until the assembly is level then secure the base assembly with the anchors.



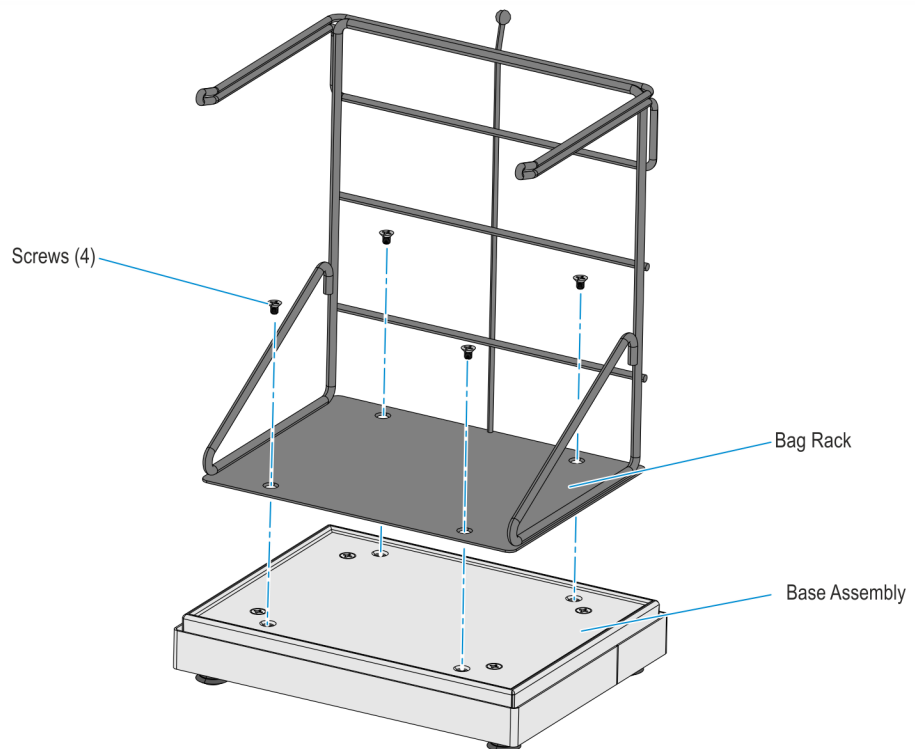
Caution: When mounting the base assembly on the anchors, move the wires carefully and make sure that they are not strained. After securing the assembly to the anchors, make sure that the cable connectors are firmly connected to the controller.

7. Mount the top plate on the base assembly and secure with screws (4). Tighten the screws just enough to secure the top plate, preferably about 0.68 N.m (6 lbf.in) to 0.90 N.m (8 lbf.in) using a torque screw. Do NOT overtighten.



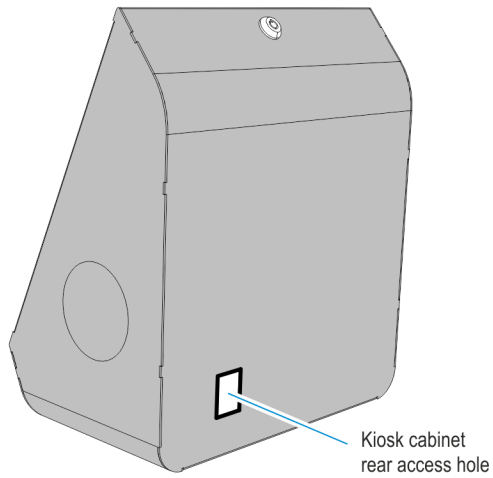
CCP-60841

8. Mount the bagrack on the base assembly and secure with screws (4). Tighten the screws just enough to secure the top plate, preferably about 0.68 N.m (6 lbf.in) to 0.90 N.m (8 lbf.in) using a torque screw. Do NOT overtighten.



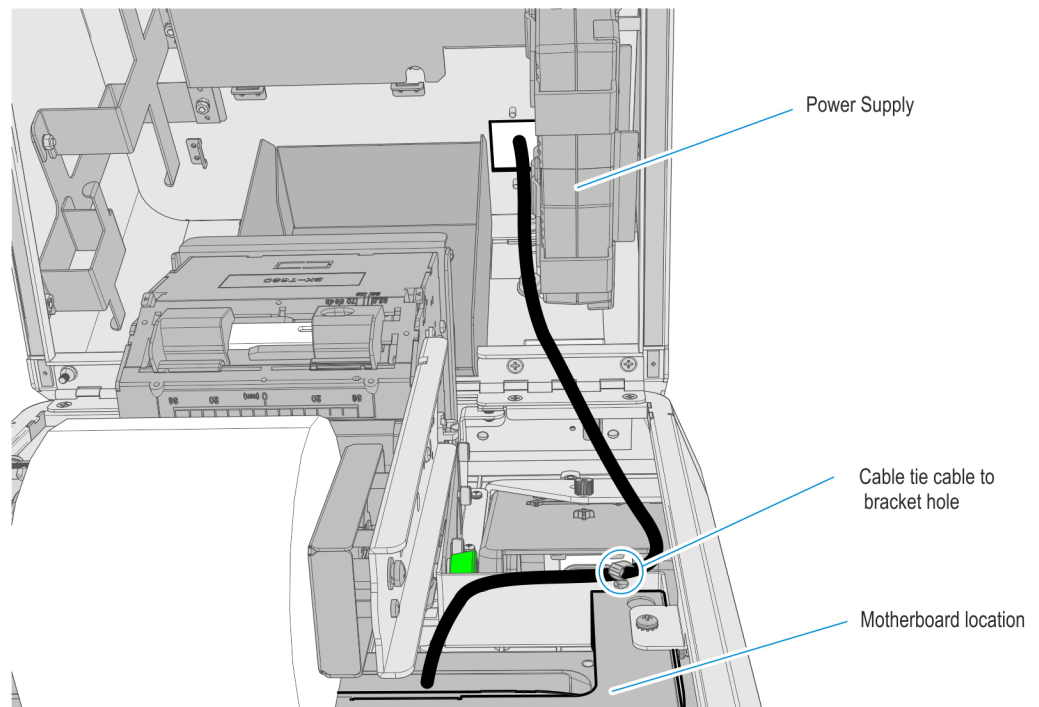
CCP-60842

9. Route the Security Scale USB Cable into the Kiosk cabinet through the rear access hole.

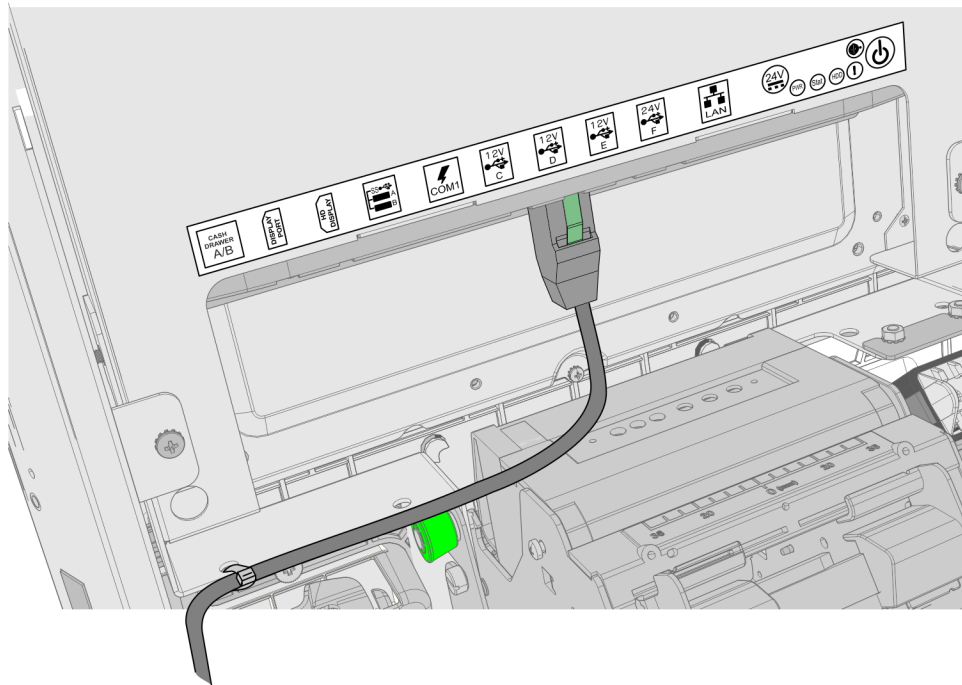


CCP-61370

10. Inside the cabinet, route the cable towards the motherboard and plug the connector to the **USB D** USB+12V power port. Cable tie the cable with other cables as necessary.



CCP-60851



CCP-60852

11. Check that all the modules in the kiosk are functioning properly. Make sure that the security scale is level, adjust the leveling mounts as necessary.

