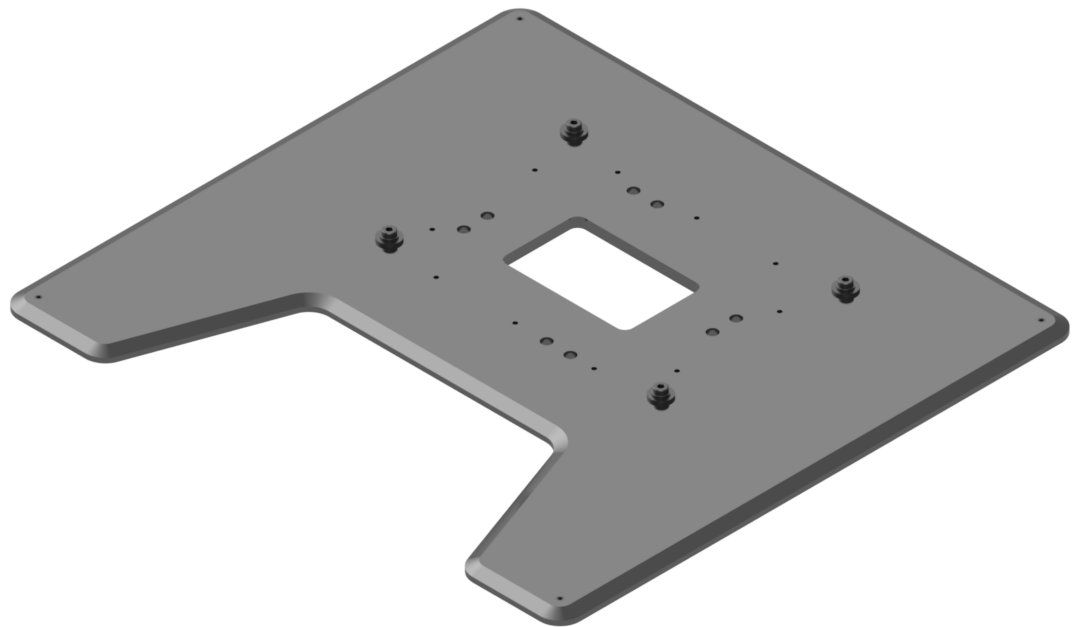


# Kit Instructions

Base Plate (Global, Impact Mid Silver)



7709-K439  
Issue A



---

The product described in this document is a licensed product of NCR Corporation.

NCR is a registered trademark of NCR Corporation. NCR SelfServ™ is a trademark of NCR Corporation in the United States and/or other countries. Other product names mentioned in this publication may be trademarks or registered trademarks of their respective companies and are hereby acknowledged.

The terms HDMI and HDMI High-Definition Multimedia Interface, and the HDMI Logo are trademarks or registered trademarks of HDMI Licensing LLC in the United States and other countries.

Where creation of derivative works, modifications or copies of this NCR copyrighted documentation is permitted under the terms and conditions of an agreement you have with NCR, NCR's copyright notice must be included.

It is the policy of NCR Corporation (NCR) to improve products as new technology, components, software, and firmware become available. NCR, therefore, reserves the right to change specifications without prior notice.

All features, functions, and operations described herein may not be marketed by NCR in all parts of the world. In some instances, photographs are of equipment prototypes. Software screen images are representative, and in some cases, may not match a customer's installed software exactly. Therefore, before using this document, consult with your NCR representative or NCR office for information that is applicable and current.

To maintain the quality of our publications, we need your comments on the accuracy, clarity, organization, and value of this book. Please use the link below to send your comments.

Email: [FD230036@ncr.com](mailto:FD230036@ncr.com)

Copyright © 2019  
By NCR Corporation  
864 Spring St. NW  
Atlanta, GA 30308  
United States  
All Rights Reserved

---

## Revision Record

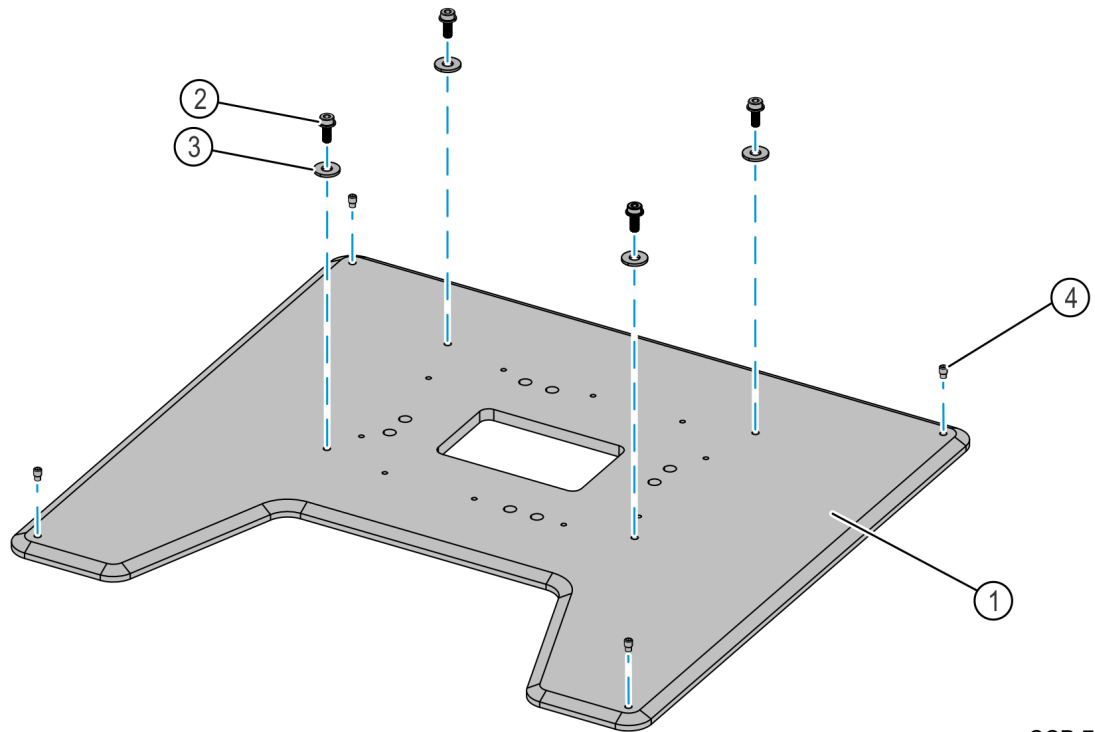
Issue	Date	Remarks
A	Sep 2019	First Issue



# Base Plate (Global, Impact Mid Silver)

This publication provides procedures for base plate installation of the NCR SelfServ™ 90 (7709) Kiosk.

## Kit Contents



CCP-77603

Part Number	Item	Description
497-0525470		Kit - Base Plate, Global (Impact Mid Silver)
795-0272802	1	Base Plate, Global (Impact Mid Silver)
006-8627554	2	M8x20mm Long, 1.25mm Thread Serrated-Flange Socket Head Screw (4 pcs)
006-8613306	3	Washer, .406 ID x 1.0 OD x .100 Thk, Zn (4 pcs)
009-0011729	4	Set Screw-Dog Point-M8x12 Long (4 pcs)
* 497-0423108	5	Instructions - Kit (Reference Sheet)

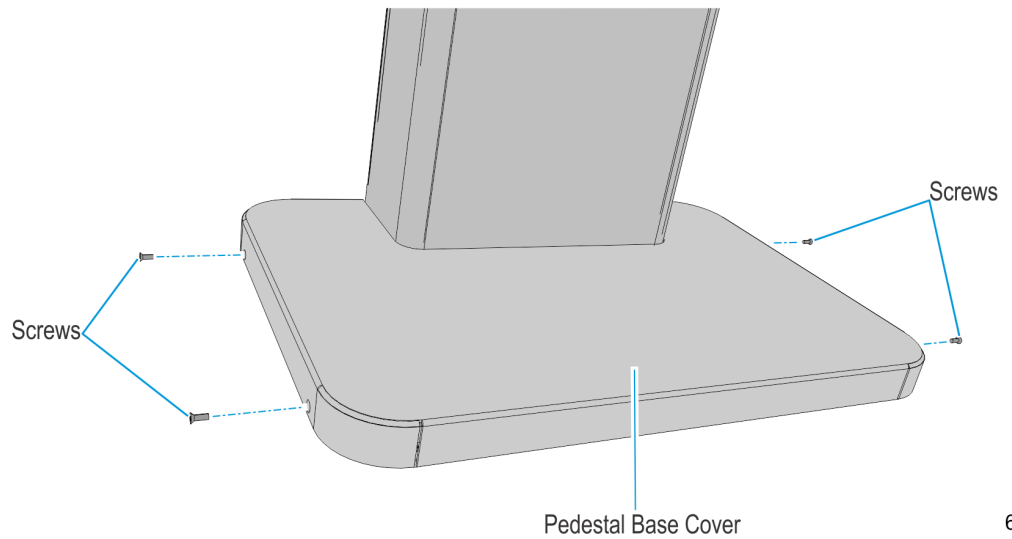


**Note:** Items marked with an asterisk (\*) are not shown in the image.

# Installation Procedure

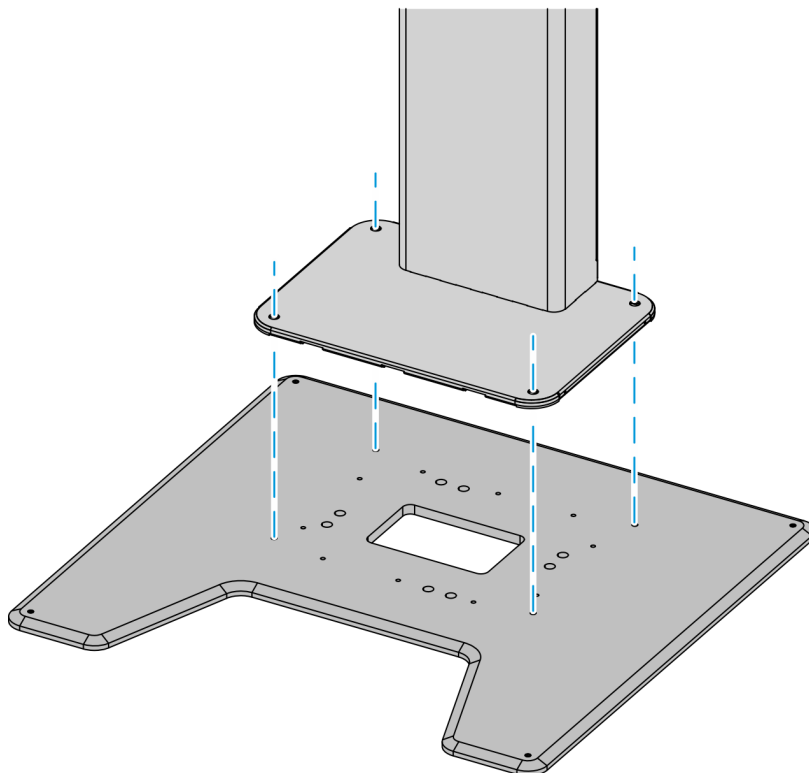
To install the Base Plate kit, follow these steps:

1. Remove the pedestal base cover by removing the four screws that secure it to the base.



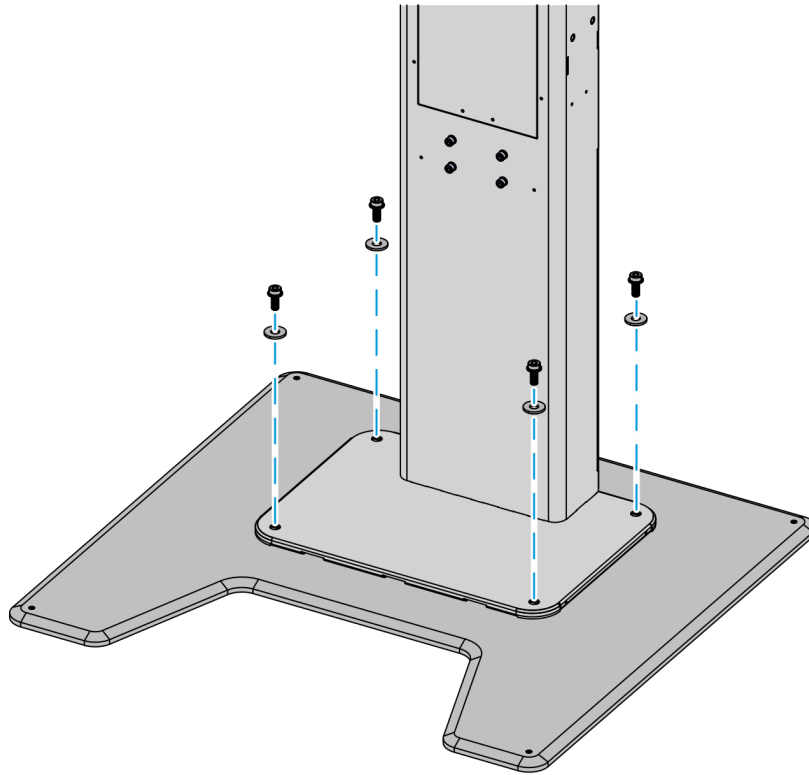
60897

2. Align the four mounting holes on the pedestal base with the four mounting holes on the base plate.



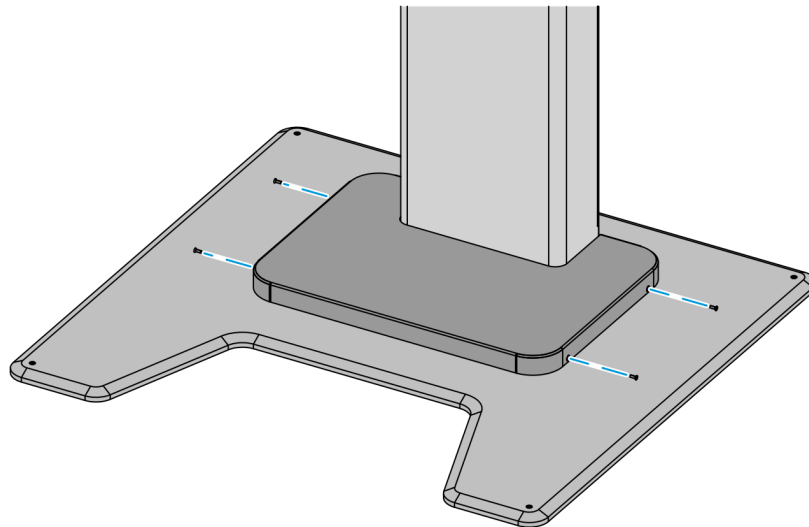
CCP-77604

3. Secure the pedestal with four M8x20mm screws and four washers.



CCP-77605

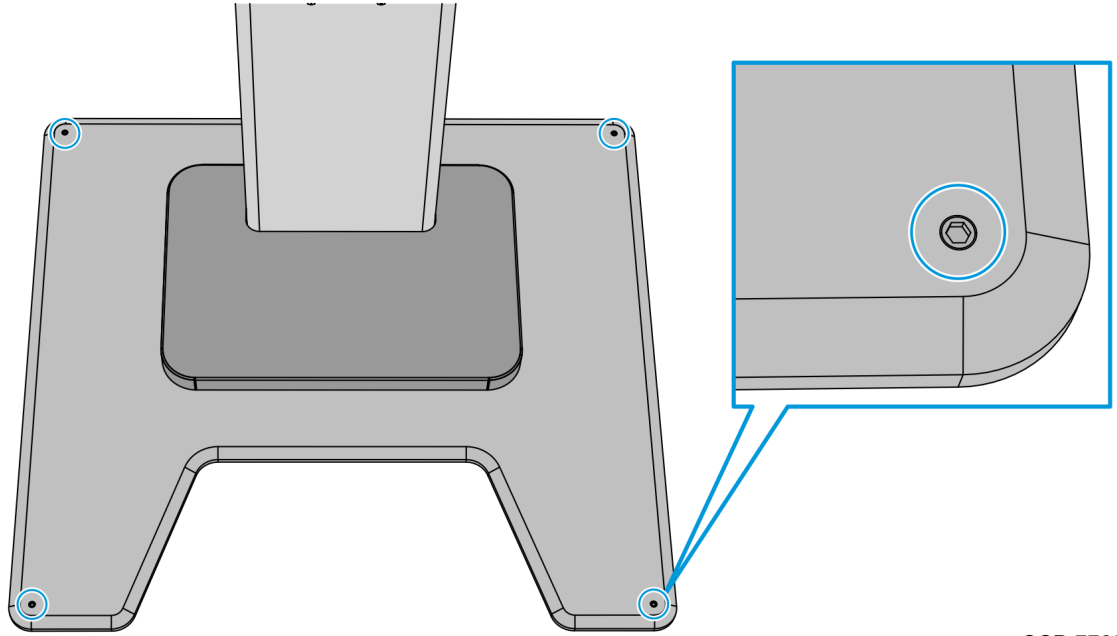
4. Re-install the pedestal base cover and secure with four screws.



CCP-77607

## Adjusting the Leveling Screws

The Base Plate kit comes with four leveling screws to help maintain proper leveling of the kiosk.



CCP-77606

- Use a 4mm Allen key or a similar tool to install or adjust the leveling screws.