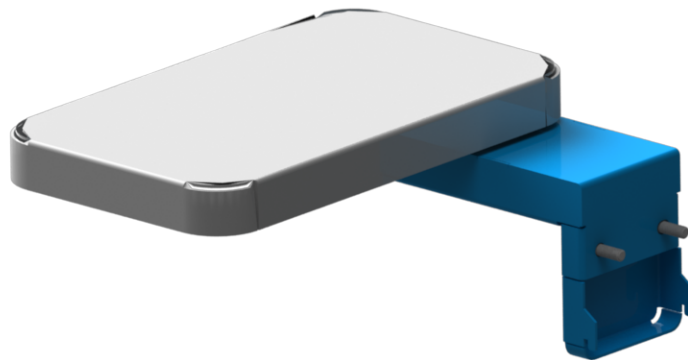


# KIT INSTRUCTIONS

**NCR SelfServ™ 90 (7709) Narrow Shelf  
(Walmart Blue)**



7709-K436  
Issue A



---

The product described in this book is a licensed product of NCR Corporation.

NCR is a registered trademark of NCR Corporation. NCR SelfServ™ is a trademark of NCR Corporation in the United States and/or other countries. Other product names mentioned in this publication may be trademarks or registered trademarks of their respective companies and are hereby acknowledged.

The terms HDMI and HDMI High-Definition Multimedia Interface, and the HDMI Logo are trademarks or registered trademarks of HDMI Licensing LLC in the United States and other countries.

Where creation of derivative works, modifications or copies of this NCR copyrighted documentation is permitted under the terms and conditions of an agreement you have with NCR, NCR's copyright notice must be included.

It is the policy of NCR Corporation (NCR) to improve products as new technology, components, software, and firmware become available. NCR, therefore, reserves the right to change specifications without prior notice.

All features, functions, and operations described herein may not be marketed by NCR in all parts of the world. In some instances, photographs are of equipment prototypes. Therefore, before using this document, consult with your NCR representative or NCR office for information that is applicable and current.

To maintain the quality of our publications, we need your comments on the accuracy, clarity, organization, and value of this book. Please use the link below to send your comments.

*EMail:* [FD230036@ncr.com](mailto:FD230036@ncr.com)

Copyright © 2016  
By NCR Corporation  
Duluth, GA U.S.A.  
All Rights Reserved

## Revision Record

Issue	Date	Remarks
A	Apr 2017	First Issue

---

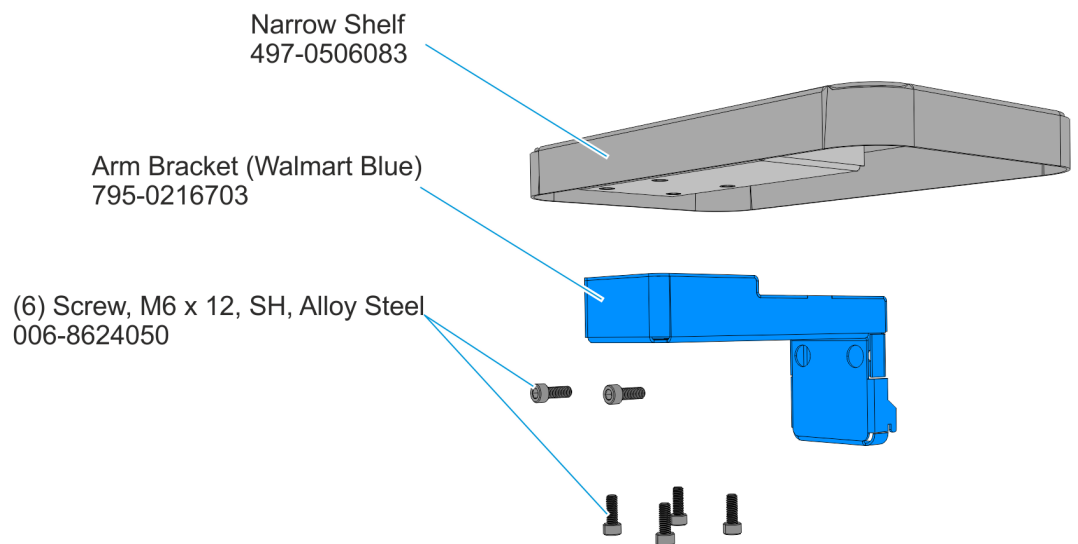
# Narrow Shelf (Walmart Blue)

---

## Introduction

This kit provides the components to add a Narrow Shelf with a Walmart Blue Arm Bracket to the NCR SelfServ™ 90 Kiosk.

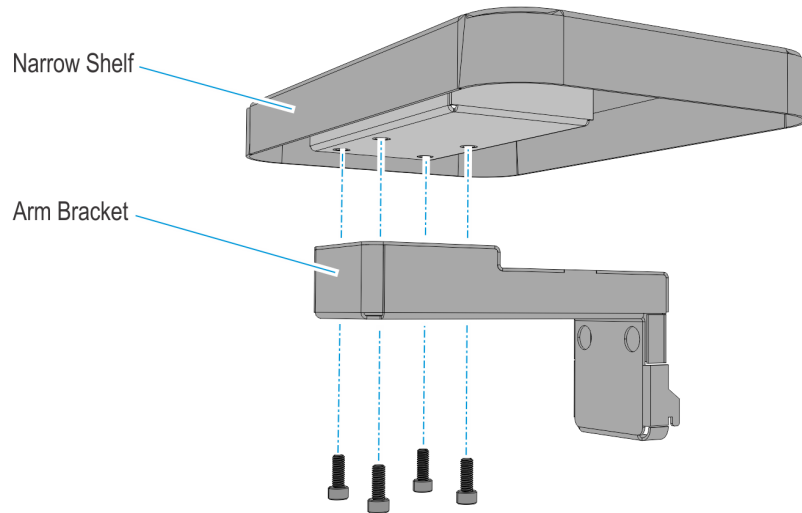
## Kit Contents



CCP-70882

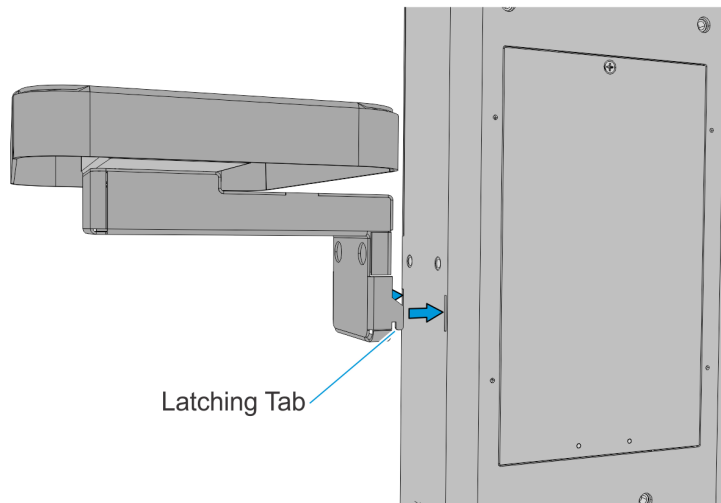
## Installation Procedure

1. Attach the Narrow Shelf to the Arm Bracket. Secure with screws (4).



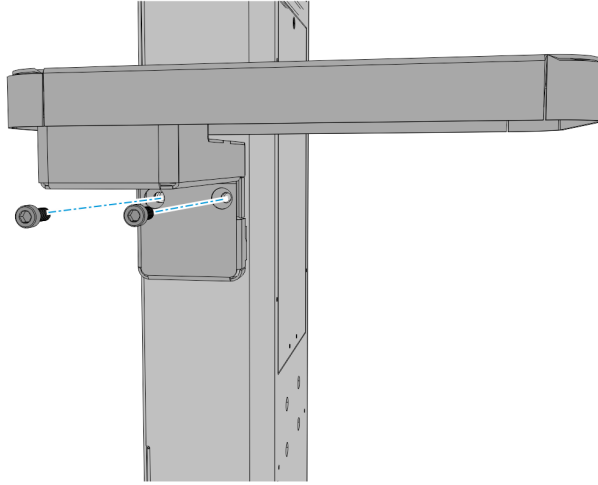
60891

2. Position the Latching Tabs (2) on the bottom of the arm bracket through the slots on the side of the pedestal.



60890

3. Secure and tighten with screws (2).



60889