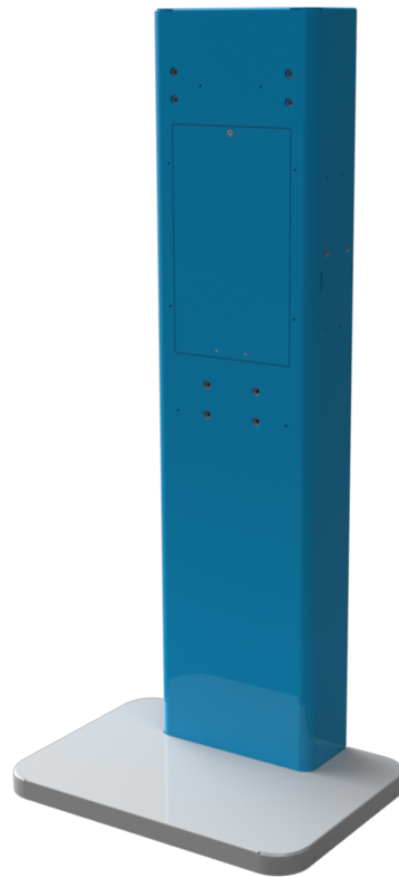


KIT INSTRUCTIONS

**NCR SelfServ™ 90 (7709) Pedestal
(Walmart Blue and Impact Mid Silver)**



7709-K435
Issue B



The product described in this book is a licensed product of NCR Corporation.

NCR is a registered trademark of NCR Corporation. NCR SelfServ™ is a trademark of NCR Corporation in the United States and/or other countries. Other product names mentioned in this publication may be trademarks or registered trademarks of their respective companies and are hereby acknowledged.

The terms HDMI and HDMI High-Definition Multimedia Interface, and the HDMI Logo are trademarks or registered trademarks of HDMI Licensing LLC in the United States and other countries.

Where creation of derivative works, modifications or copies of this NCR copyrighted documentation is permitted under the terms and conditions of an agreement you have with NCR, NCR's copyright notice must be included.

It is the policy of NCR Corporation (NCR) to improve products as new technology, components, software, and firmware become available. NCR, therefore, reserves the right to change specifications without prior notice.

All features, functions, and operations described herein may not be marketed by NCR in all parts of the world. In some instances, photographs are of equipment prototypes. Therefore, before using this document, consult with your NCR representative or NCR office for information that is applicable and current.

To maintain the quality of our publications, we need your comments on the accuracy, clarity, organization, and value of this book. Please use the link below to send your comments.

EMail: FD230036@ncr.com

Copyright © 2017
By NCR Corporation
Duluth, GA U.S.A.
All Rights Reserved

Revision Record

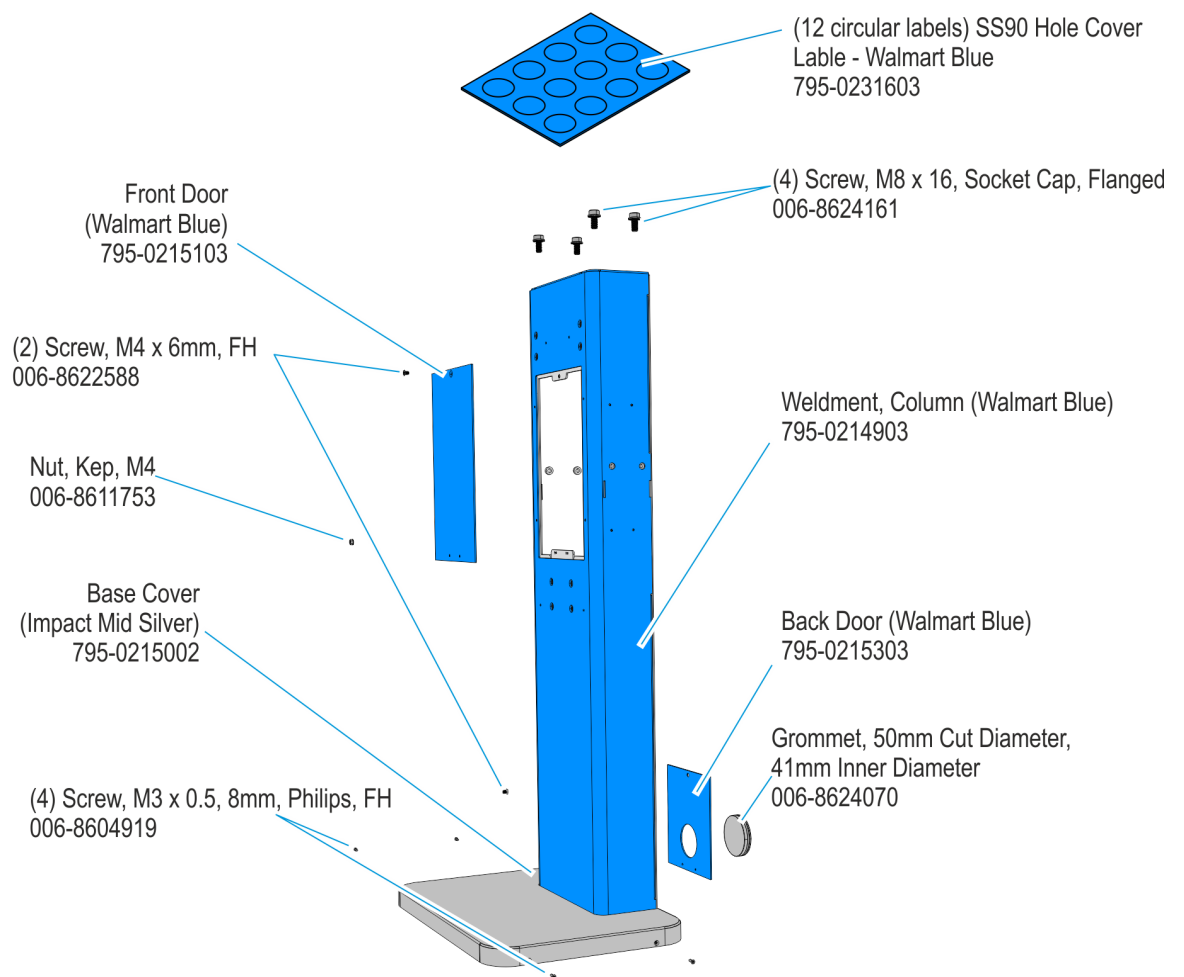
Issue	Date	Remarks
A	April 2017	First Issue
B	July 2017	Added recommended bolt size for base plate.

Pedestal (Walmart Blue & Impact Mid Silver)

Introduction

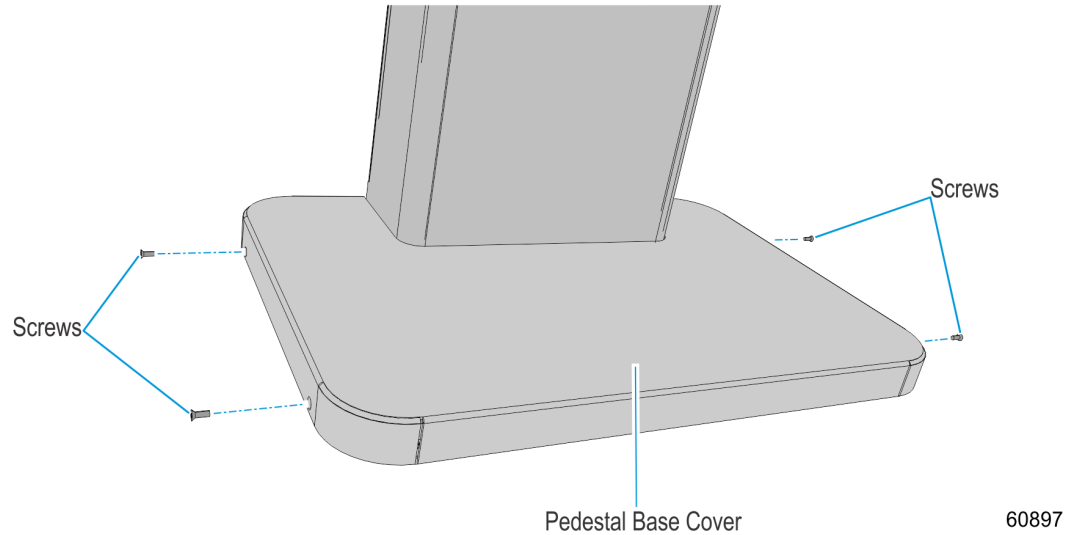
This kit provides the components to add a Walmart Blue pedestal to the NCR SelfServ™ 90 Kiosk.

Kit Contents

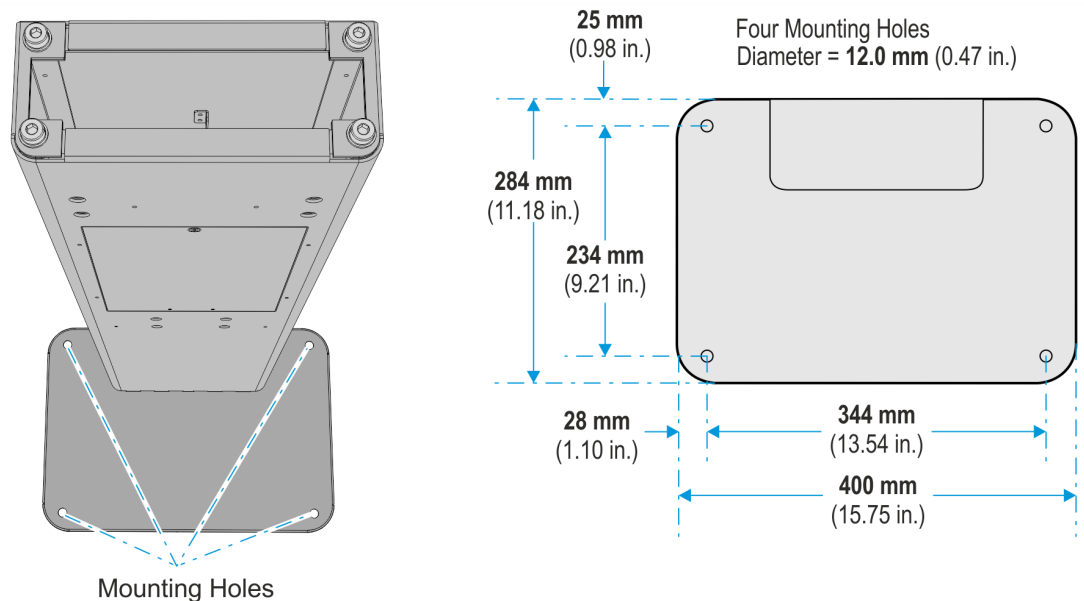


Installation Procedure

1. Determine the location of the Pedestal. Verify that this position permits access to the AC Power Receptacle and the LAN Cable. Also, make sure that there is necessary access and service clearance. Refer to the NCR SelfServ™ 90 (7709) Site Preparation Guide.
2. Remove the Pedestal Base Cover by removing the screws (4) that secures it to the base.



3. Mark the anchor holes (4) in the pedestal base on the floor. Remove the pedestal.



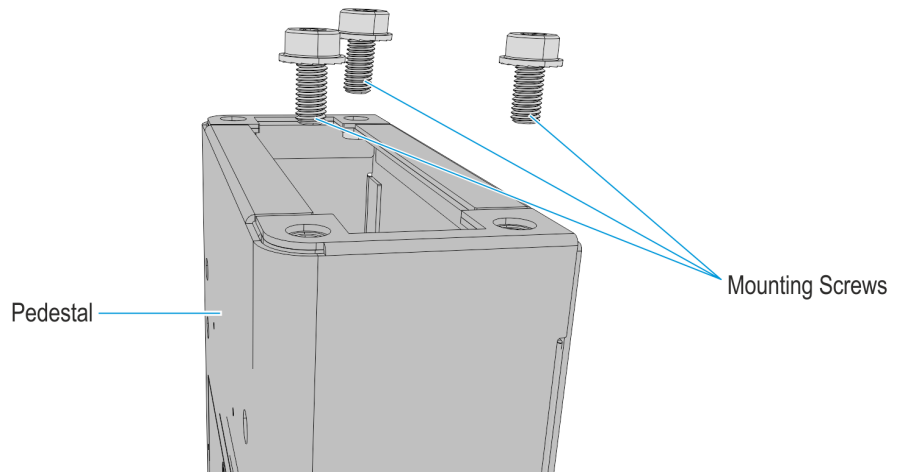
Recommended Bolt Specification:

Size: **M10** (3/8 in.) Socket Cap Bolts

Length: **76 mm** (3 in.)

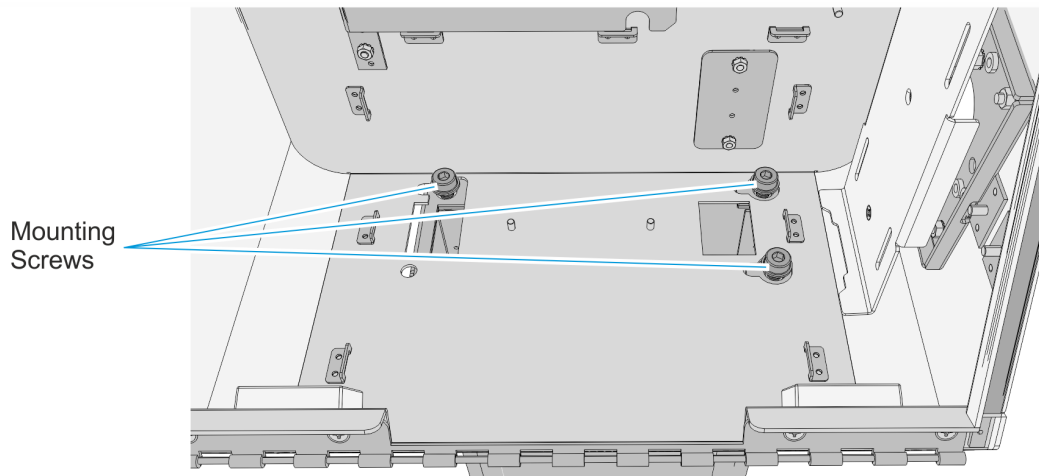
Allen Key Size for Bolt Head: **8mm** (5/16 in.)

4. Drill the holes (4) in the floor as needed for the anchors being used.
5. Position the pedestal back in the installed location and install the four anchors. Make sure that the anchors do not extend up above the top of the Pedestal Base more than **12.7 mm** (0.5 in.).
6. Install the Pedestal Base Cover and secure it with screws (4).
7. Install the Mounting Screws (3) on the pedestal. Do not tighten the Mounting Screws, leave room for the kiosk cabinet to slide under the screw heads or lock-washers. Use a **6 mm** (15/64 in.) Allen Key to drive the screws.



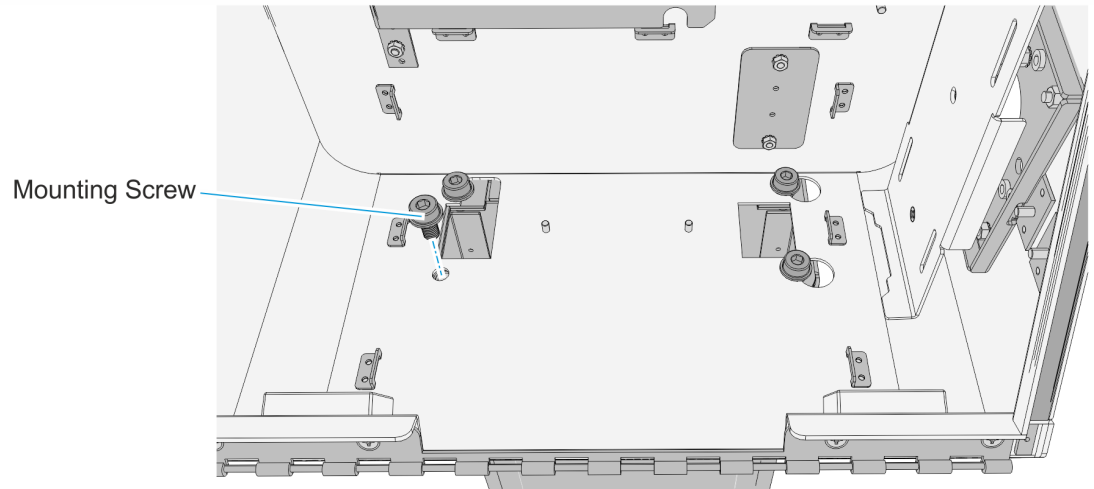
60895

8. Position the kiosk on top of the pedestal with the Mounting Screws (3) extending up through the keyholes in the bottom of the kiosk cabinet. Slide the kiosk to the right.



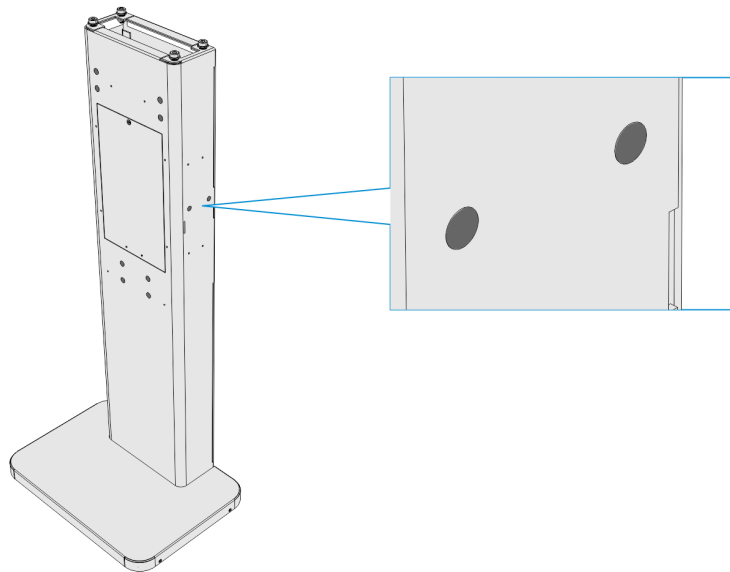
60894

9. Install Mounting Screw (1) through the remaining mounting hole. Tighten all Mounting Screws (4).



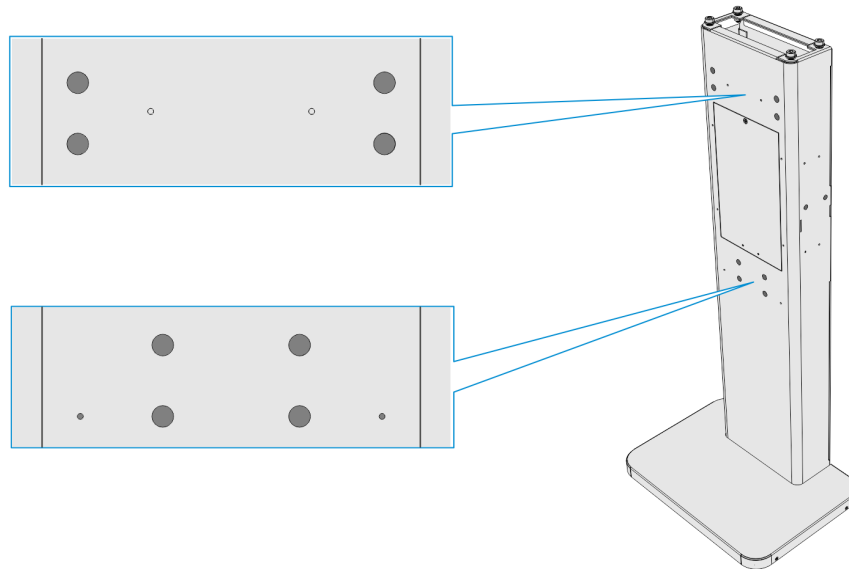
60893

10. Cover the following mounting holes using the SS90 Hole Cover Label if there are no side shelves, front shelf, or bagger to be installed to the pedestal.
 - a. **Side mounting holes** - cover holes if the side shelf kits, 7709-K436 (Narrow Shelf - Walmart Blue) or 7709-K437 (Wide Shelf - Walmart Blue), will not be installed to the pedestal. There are two (2) mounting holes on the left and right side of the pedestal.



CCP-60871

- b. **Front mounting holes** - cover holes if kit 7709-K434 (Bagger with Shelf) will not be installed. There are four (4) mounting holes each for the bagger and shelf.



CCP-60872