

# KIT INSTRUCTIONS

## SelfServ™ 90 Lock and Key Set



7709-K230  
Issue A



---

The product described in this book is a licensed product of NCR Corporation.

NCR is a registered trademark of NCR Corporation. NCRSelfServ Checkout is a trademark of NCR Corporation in the United States and/or other countries. Other product names mentioned in this publication may be trademarks or registered trademarks of their respective companies and are hereby acknowledged.

The terms HDMI and HDMI High-Definition Multimedia Interface, and the HDMI Logo are trademarks or registered trademarks of HDMI Licensing LLC in the United States and other countries.

Where creation of derivative works, modifications or copies of this NCR copyrighted documentation is permitted under the terms and conditions of an agreement you have with NCR, NCR's copyright notice must be included.

It is the policy of NCR Corporation (NCR) to improve products as new technology, components, software, and firmware become available. NCR, therefore, reserves the right to change specifications without prior notice.

All features, functions, and operations described herein may not be marketed by NCR in all parts of the world. In some instances, photographs are of equipment prototypes. Therefore, before using this document, consult with your NCR representative or NCR office for information that is applicable and current.

To maintain the quality of our publications, we need your comments on the accuracy, clarity, organization, and value of this book. Please use the link below to send your comments.

*EMail:* [FD230036@ncr.com](mailto:FD230036@ncr.com)

Copyright © 2016  
By NCR Corporation  
Duluth, GA U.S.A.  
All Rights Reserved

## Revision Record

Issue	Date	Remarks
A	Apr 2016	First Issue

---

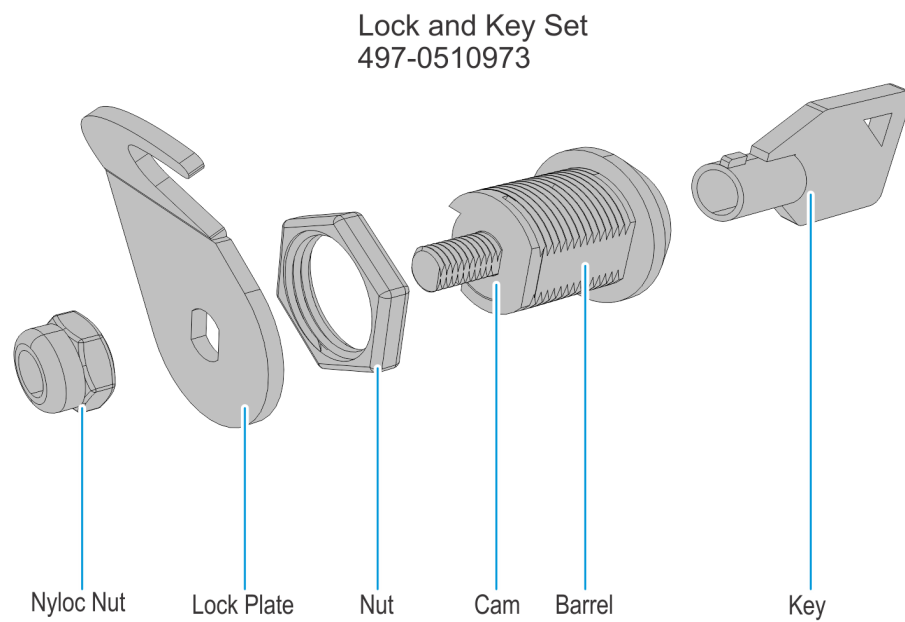
# Lock and Key Set

---

## Introduction

This kit provides the components to add a lock and key set to the NCR SelfServ™ 90 Kiosk.

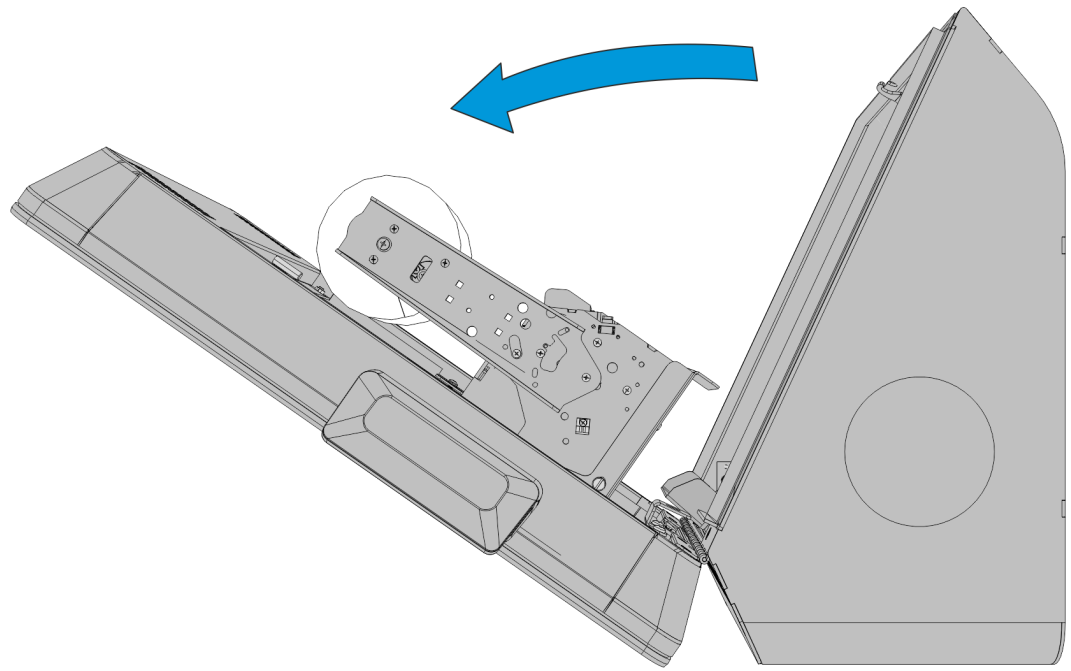
## Kit Contents



60917

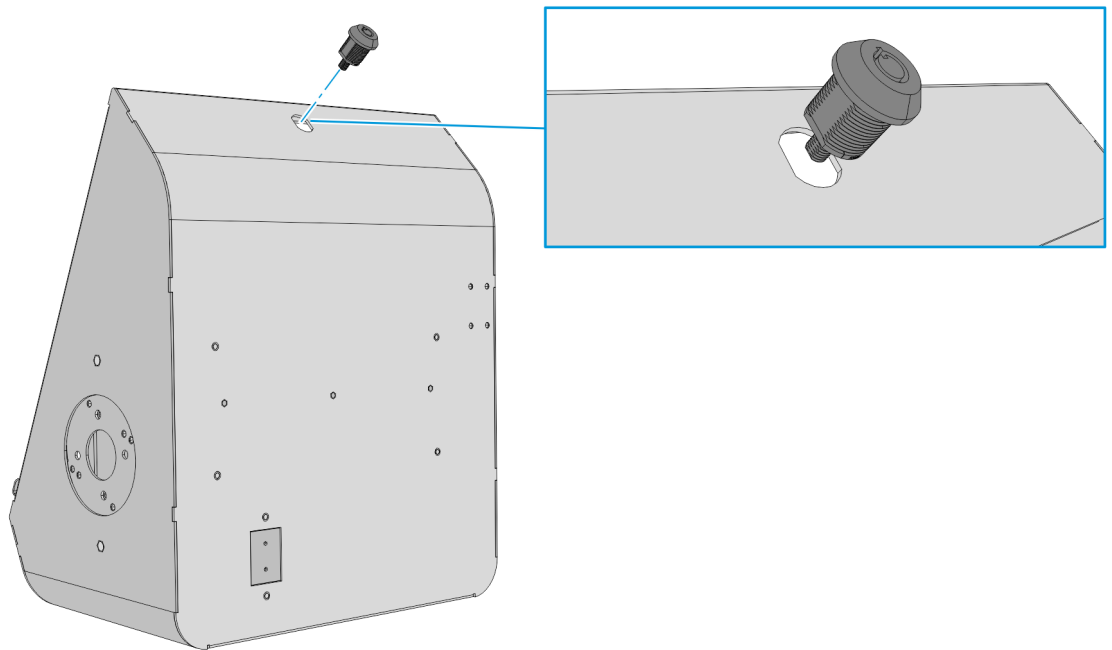
# Installation Procedure

1. Open the front of the kiosk.



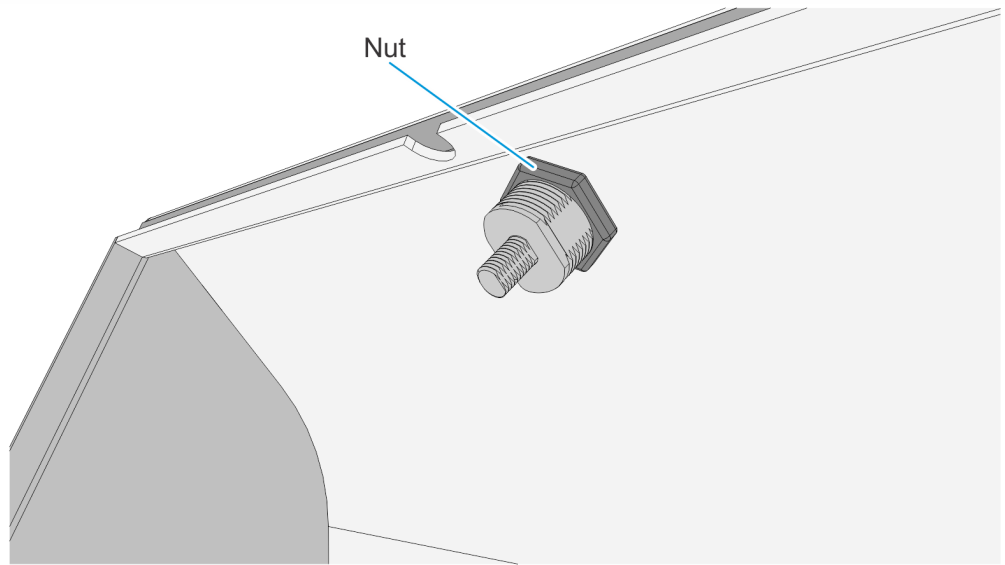
60922

2. Insert the barrel to the lock opening of the main enclosure.



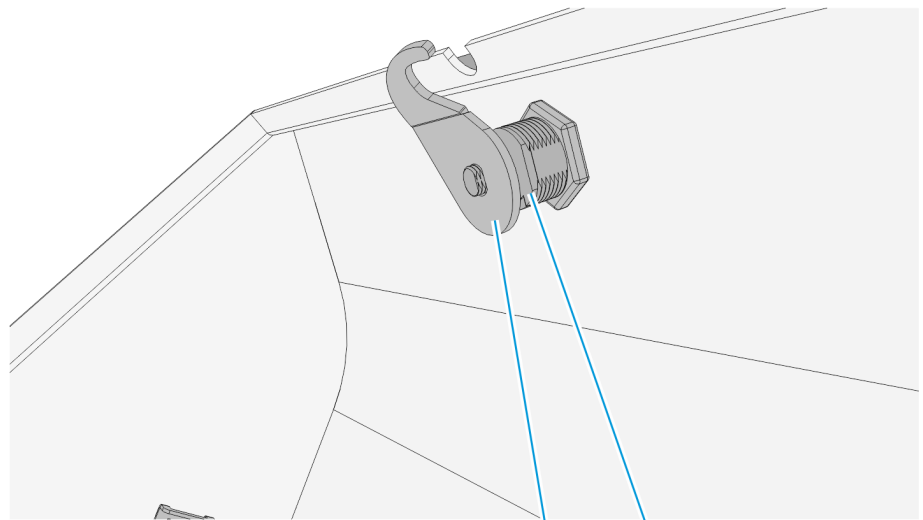
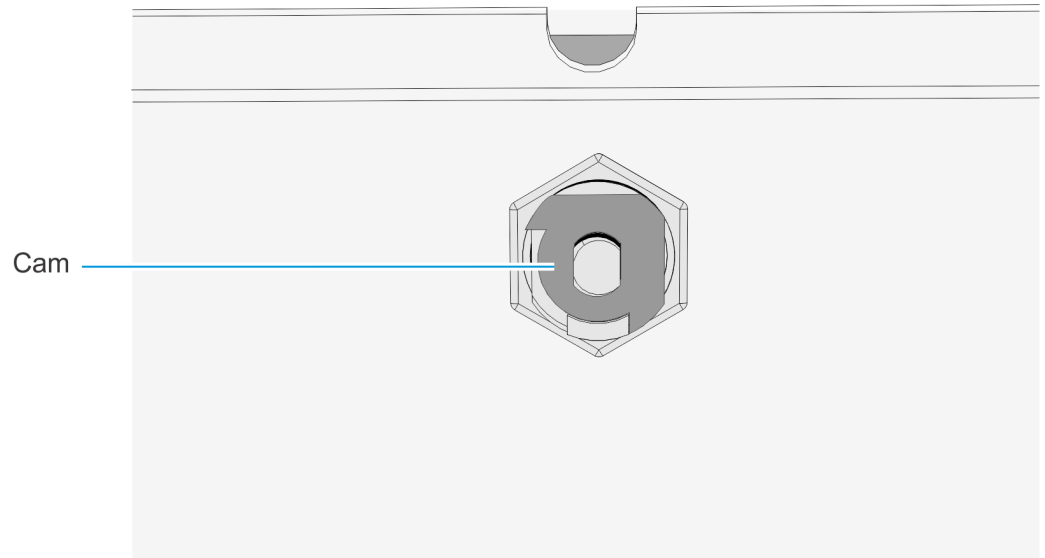
60921

3. Install the nut inside the enclosure. Tighten the nut.



60920

4. Insert cam and lock plate.



Lock Plate Cam

5. Install the nyloc nut. Tighten the nut.

