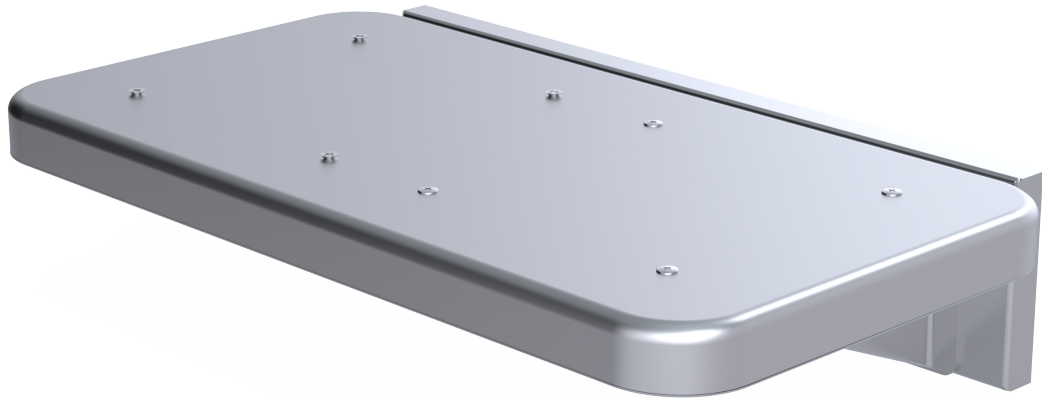


Kit Instructions

Shelf for Bag Rack (Japan)



7707-K911
Issue A



The product described in this document is a licensed product of NCR Corporation.

NCR is a registered trademark of NCR Corporation. NCR SelfServ™ Checkout is a trademark of NCR Corporation in the United States and/or other countries. Other product names mentioned in this publication may be trademarks or registered trademarks of their respective companies and are hereby acknowledged.

Where creation of derivative works, modifications or copies of this NCR copyrighted documentation is permitted under the terms and conditions of an agreement you have with NCR, NCR's copyright notice must be included.

It is the policy of NCR Corporation (NCR) to improve products as new technology, components, software, and firmware become available. NCR, therefore, reserves the right to change specifications without prior notice.

All features, functions, and operations described herein may not be marketed by NCR in all parts of the world. In some instances, photographs are of equipment prototypes. Therefore, before using this document, consult with your NCR representative or NCR office for information that is applicable and current.

Copyright © 2023
By NCR Corporation
864 Spring St. NW
Atlanta, GA 30308
United States
All Rights Reserved

Revision Record

| Issue | Date | Remarks |
|-------|----------|-------------|
| A | Mar 2023 | First Issue |
| | | |
| | | |

Shelf for Bag Rack (Japan)

This publication provides procedures for installing a shelf — that can hold a Bag Rack — on an NCR SelfServ™ Checkout (7707).



Note: The Bag Rack is not included in the 7707-K911 Shelf for Bag Rack (Japan) Kit.

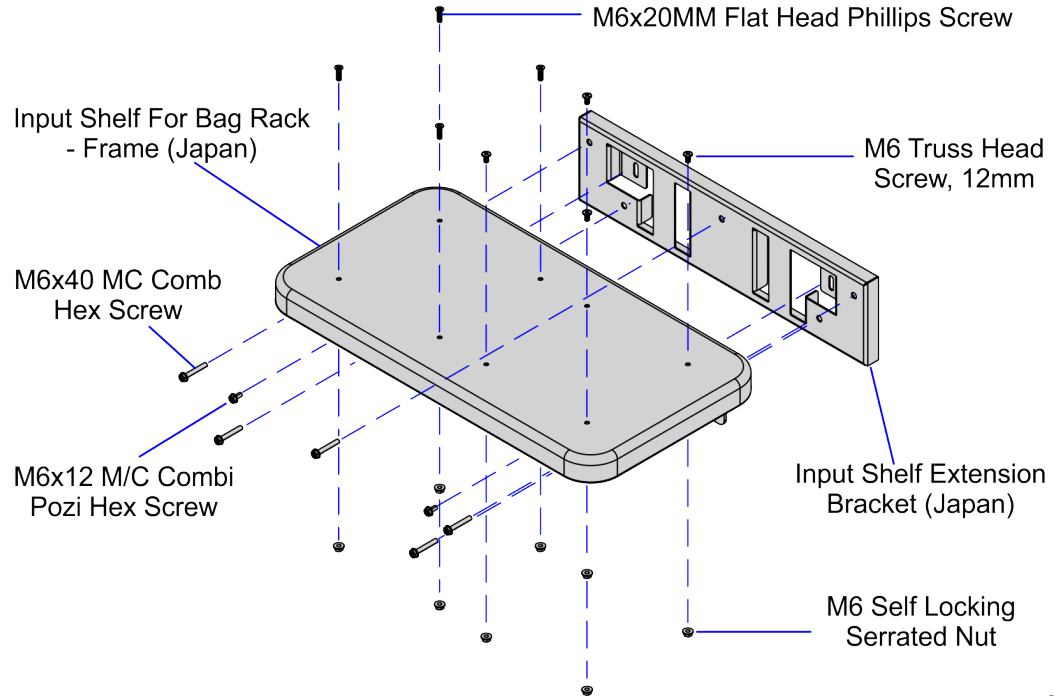
The shelf can be configured for either Left-hand (LH) orientation or Right-hand (RH) orientation, which refers to the direction customers scan and bag items.

- **Left-hand (LH) orientation**—Customers scan from left to right.
- **Right-hand (RH) orientation**—Customers scan from right to left.

Prerequisite

A Stabilizer Solution must be installed on the NCR SelfServ™ Checkout (7707) unit when installing the Shelf for Bag Rack. For more information on installing a Stabilizer Solution, refer to *7707-K902 Stabilizer Solution, Semi Self Kit Instructions*.

Kit Contents



CCP-82392

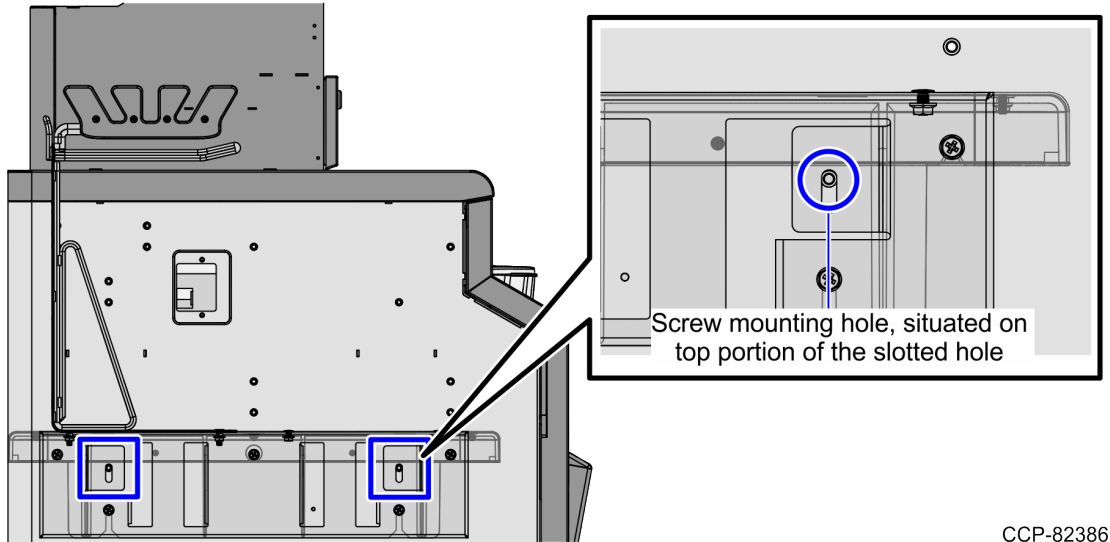
| Part Numbers | Description |
|---------------|---|
| 497-0534547 | 7707-K911 Kit, Input Shelf for Bag Rack - Japan |
| 497-0534546 | Input Shelf for Bag Rack - Frame (JAPAN) |
| 497-0534603 | Input Shelf Extension Bracket - (JAPAN) |
| 006-8628611 | Screw HEX M6 x 40 MC COMB (5 pcs) |
| 009-0006599 | Screw HEX M6 x 12 MC COMB (2 pcs) |
| 006-8625387 | Screw, Flat Head Phillips, M6 x 20MM, Zinc Plated (4 pcs) |
| 006-8628605 | Screw - M6 TRUSS HEAD, 12mm (4 pcs) |
| 009-0007088 | Serrated Nut - Self Locking (M6, 6.0) (8 pcs) |
| * 497-0423108 | Instructions Kit (Reference Sheet) |

* Items marked with an asterisk are not called out on the image.

Installation Procedures

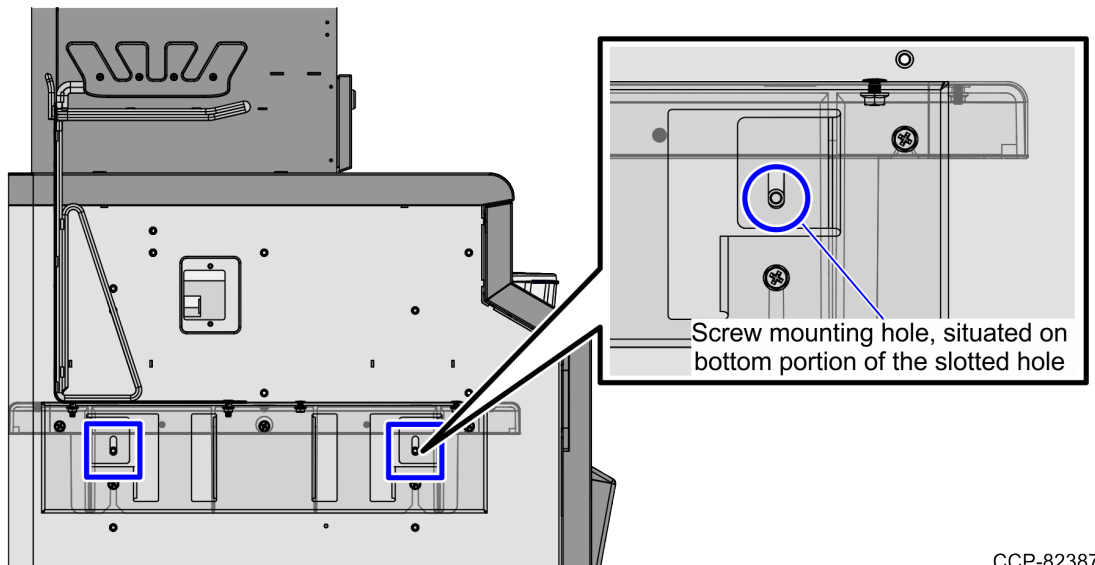
The shelf can be installed either side of the SelfServ Checkout, and to any of the following three (3) positions:

- Lowest position



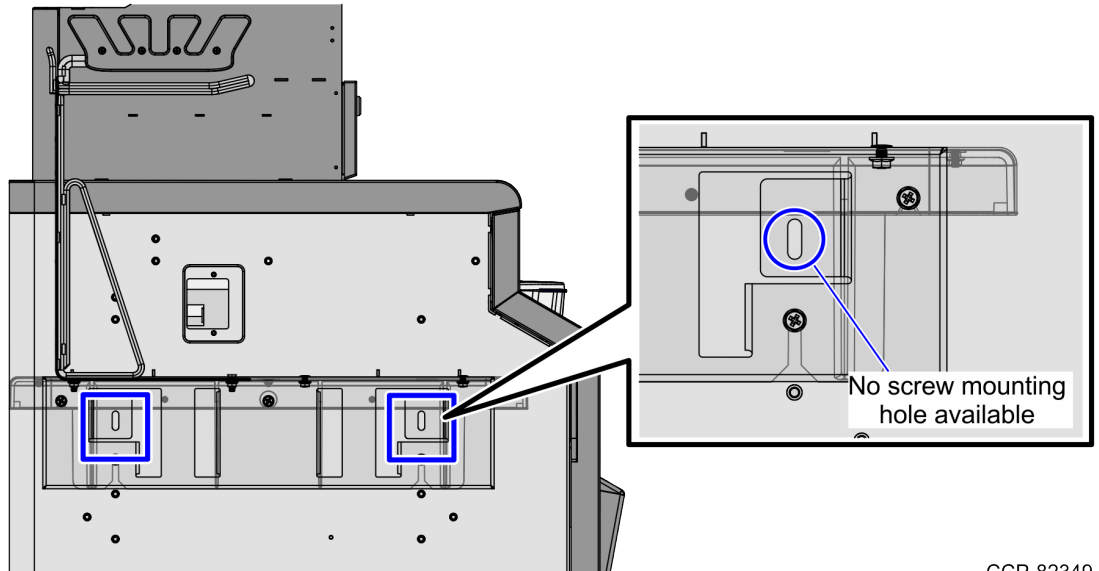
CCP-82386

- Middle position



CCP-82387

- Highest position



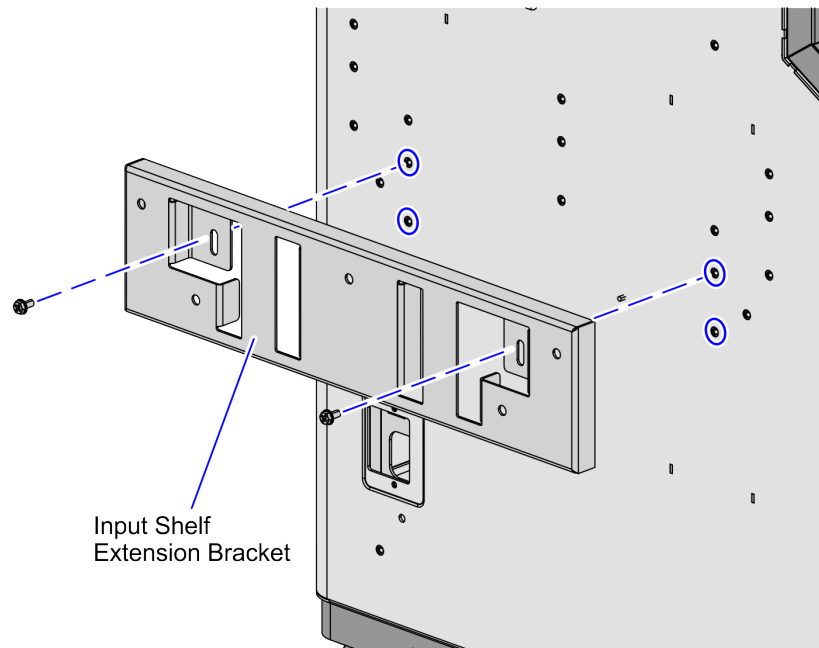
Depending on the position requirement, refer to either of the following procedures:

- [Installing shelf on lowest or middle position](#) on the facing page.
- [Installing shelf on highest position](#) on page 10.

Installing shelf on lowest or middle position

To install the shelf on the lowest or middle position, follow these steps:

1. Install the Input Shelf Extension Bracket to either side of the Core Cabinet by doing the following:
 - a. Align the two (2) screw slots of the Input Shelf Extension Bracket to either of the two (2) pairs of screw slots on the Core Cabinet.
 - b. Secure the Input Shelf Extension Bracket to the Core Cabinet using two (2) M6 x 12 screws.

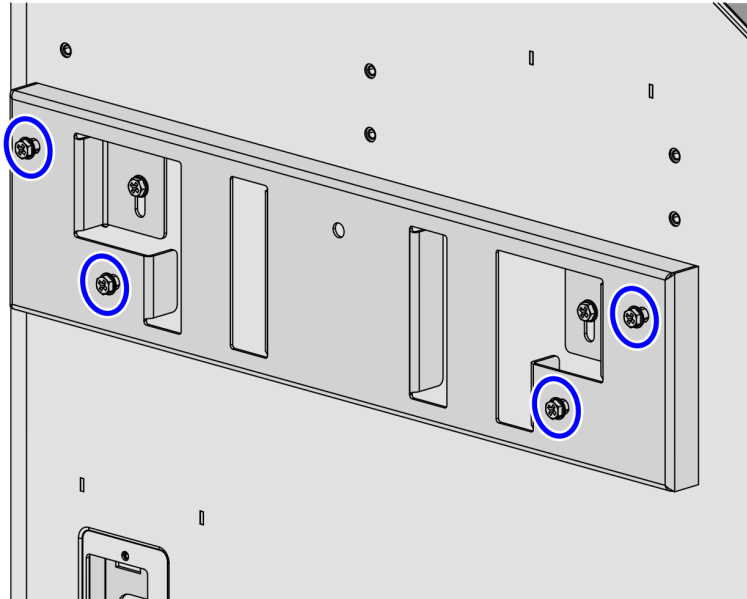


CCP-82393

2. Insert four (4) M6 x 40 screws into the four (4) screw slots of the Input Shelf Extension Bracket. These screws will serve as alignment guides.

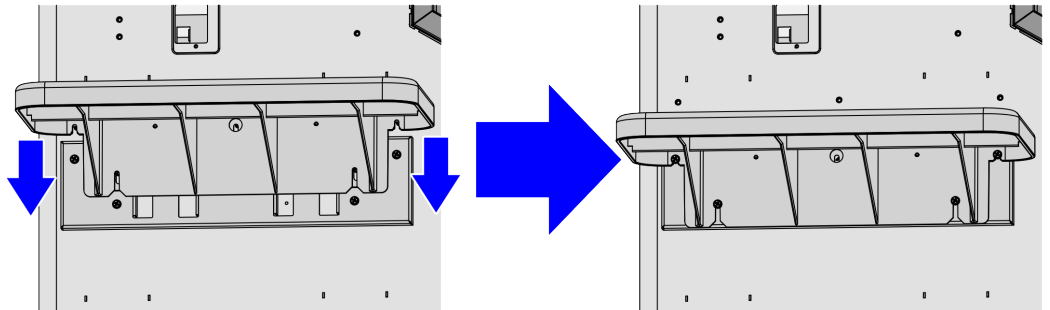


Note: Do not tighten the screws. Leave at least 1/4 inch of the screw visible.



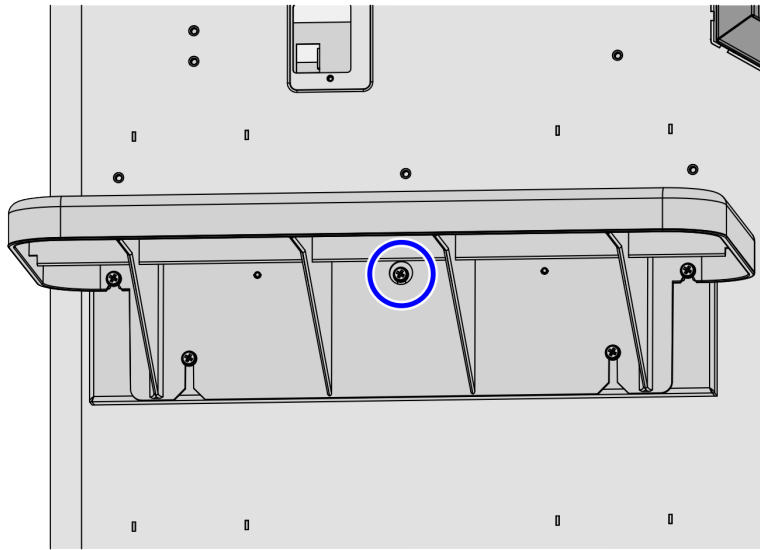
CCP-82394

3. Do the following:
 - a. Align the shelf over the four (4) alignment screws and then slide the shelf down onto the screws.



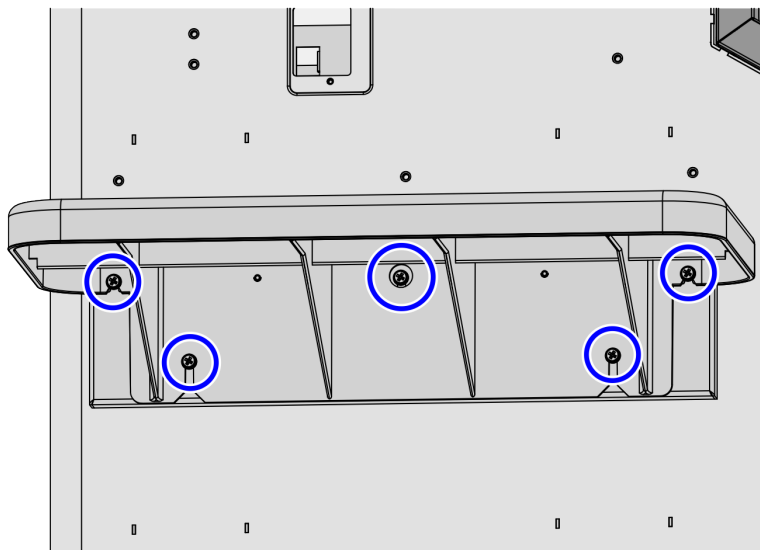
CCP-82395

- b. Insert one (1) M6 x 40 screw into the screw slot at the middle of the shelf.



CCP-82396

- c. Tighten all five (5) screws to secure the shelf.



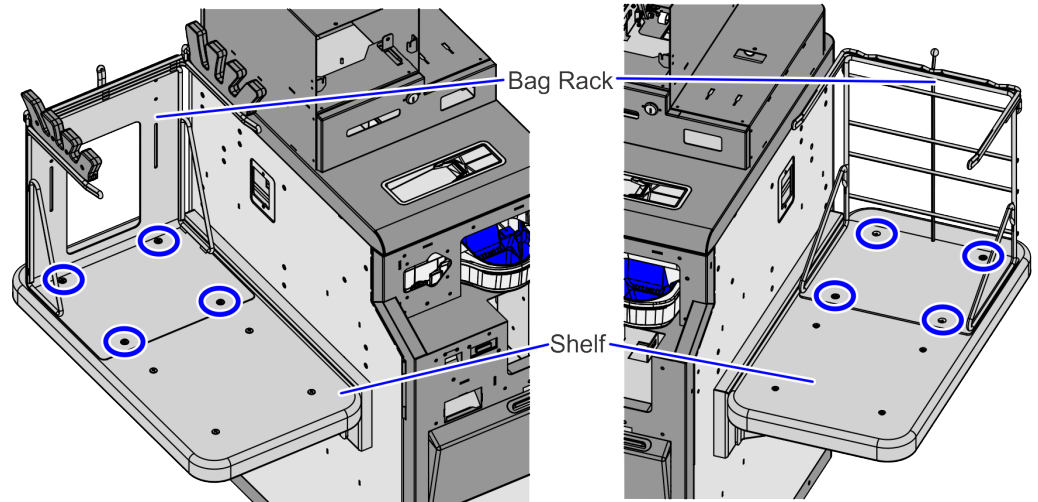
CCP-82396

4. Install the Bag Rack on the shelf, by doing the following:



Note: The Bag Rack is not included in the 7707-K911 Shelf for Bag Rack (Japan) Kit.

- a. Align the four (4) screw slots of the Bag Rack to the four (4) screws slots on the rear end of the shelf.
- b. Secure the Bag Rack to the Input Shelf using four (4) M6 x 20 flat head screws, as shown in the image below.

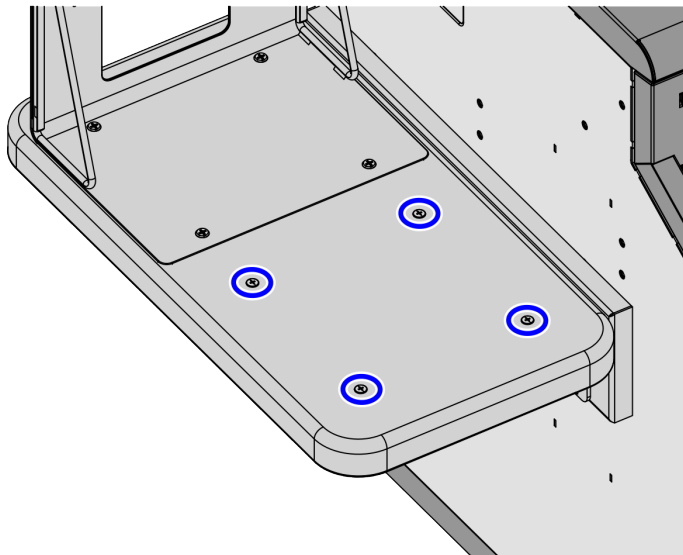


Bag Rack Position Rear End Left Side

Bag Rack Position Rear end Right Side

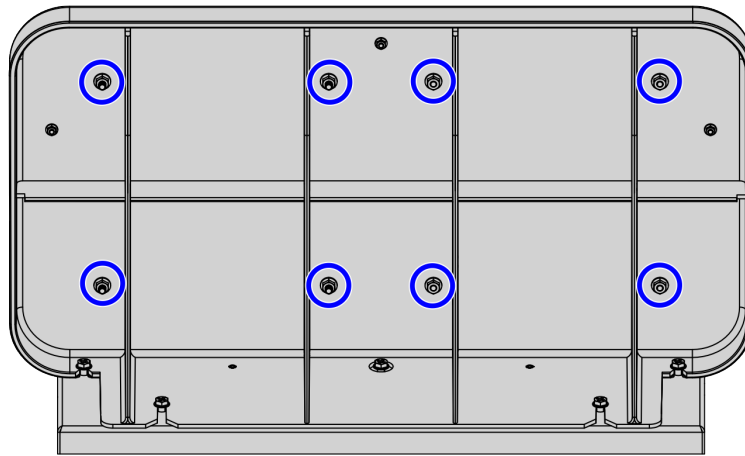
CCP-82398

- c. Attach four (4) M6 truss head screws to cover the four (4) unused holes, as shown in the image below.



CCP-82399

- d. From under the shelf, secure all eight (8) screws with serrated nuts.

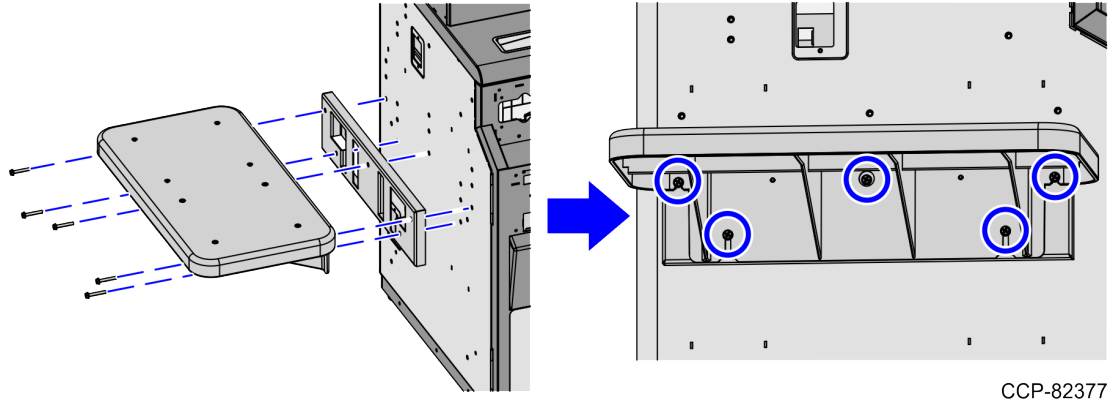


CCP-82385

Installing shelf on highest position

To install the shelf on the highest position, follow these steps:

1. Mount and secure the Input Shelf Bracket and shelf to the five (5) screw slots on the Core Cabinet, as shown in the image below.

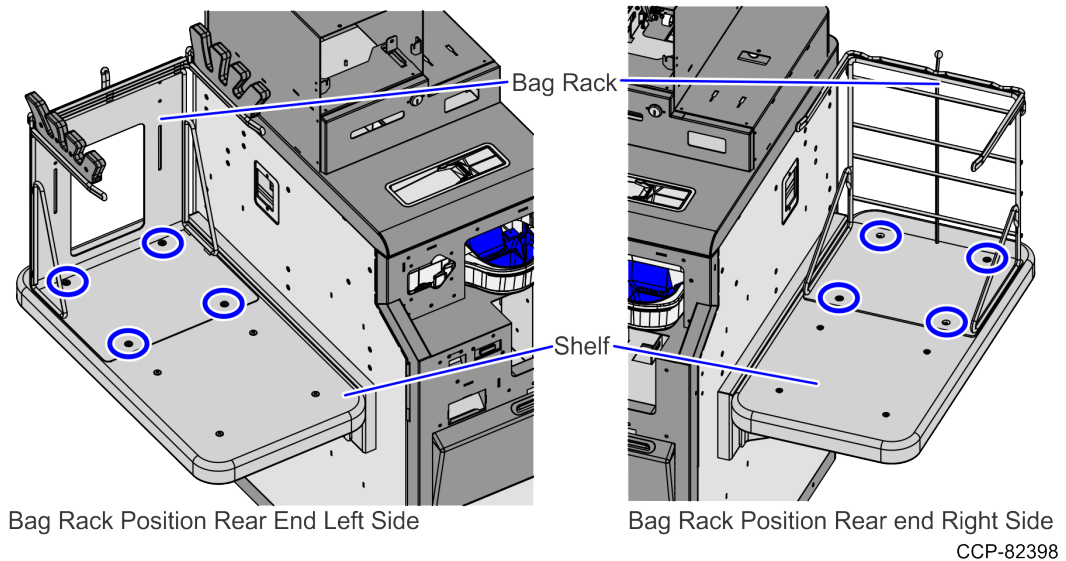


2. Install the Bag Rack on the shelf, by doing the following:

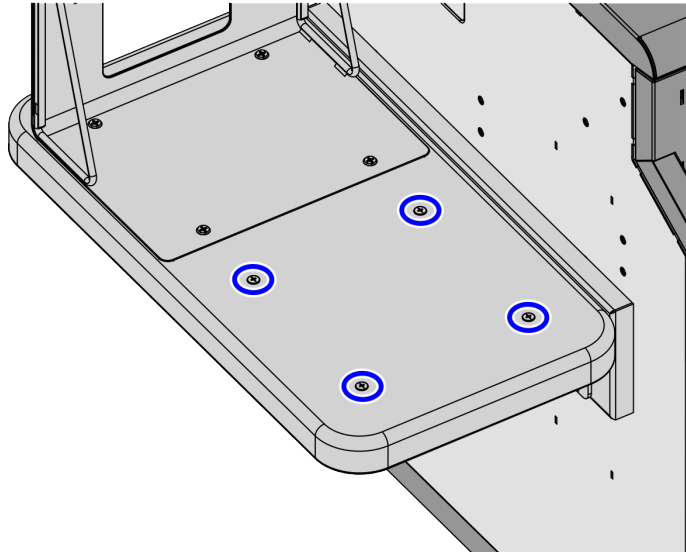


Note: The Bag Rack is not included in the 7707-K911 Shelf for Bag Rack (Japan) Kit.

- a. Align the four (4) screw slots of the Bag Rack to the four (4) screws slots on the rear end of the shelf.
- b. Secure the Bag Rack to the Input Shelf using four (4) M6 x 20 flat head screws, as shown in the image below.

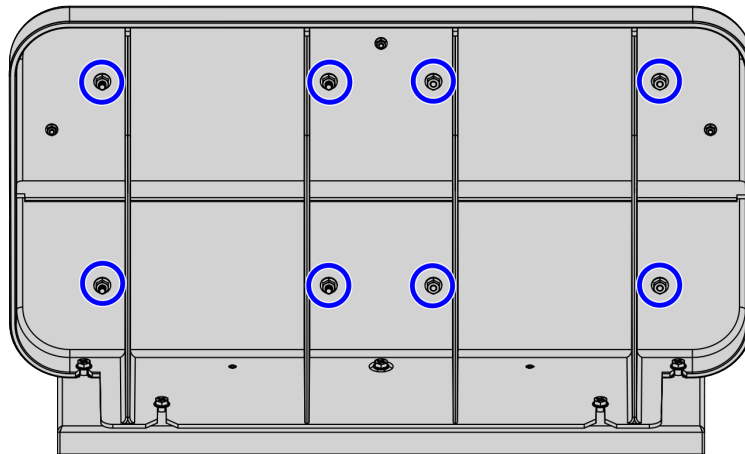


- c. Attach four (4) M6 truss head screws to cover the four (4) unused holes, as shown in the image below.



CCP-82399

- d. From under the shelf, secure all eight (8) screws with serrated nuts.



CCP-82385

