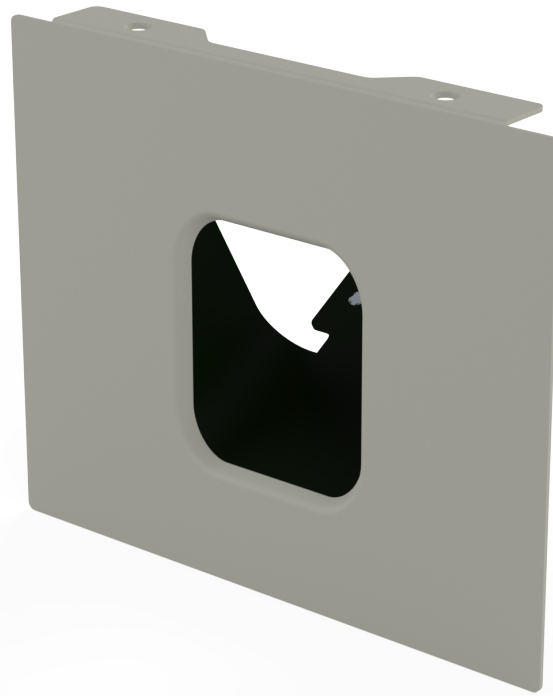


Kit Instructions

Scanner Bracket with Black Mount Assembly
(Datalogic Magellan 1500i)



7707-K909
Issue B



The product described in this document is a licensed product of NCR Corporation.

NCR is a registered trademark of NCR Corporation. NCR SelfServ™ Checkout is a trademark of NCR Corporation in the United States and/or other countries. Other product names mentioned in this publication may be trademarks or registered trademarks of their respective companies and are hereby acknowledged.

Where creation of derivative works, modifications or copies of this NCR copyrighted documentation is permitted under the terms and conditions of an agreement you have with NCR, NCR's copyright notice must be included.

It is the policy of NCR Corporation (NCR) to improve products as new technology, components, software, and firmware become available. NCR, therefore, reserves the right to change specifications without prior notice.

All features, functions, and operations described herein may not be marketed by NCR in all parts of the world. In some instances, photographs are of equipment prototypes. Therefore, before using this document, consult with your NCR representative or NCR office for information that is applicable and current.

Copyright © 2022 - 2023

By NCR Corporation

864 Spring St. NW

Atlanta, GA 30308

United States

All Rights Reserved

Revision Record

Issue	Date	Remarks
A	Aug 2022	First Issue
B	May 2023	Updated <u>Removing the Scanner (Datalogic Magellan 1500i) and Scanner Mount Assembly</u> on page v.

Scanner Bracket with Black Mount Assembly (Datalogic Magellan 1500I)

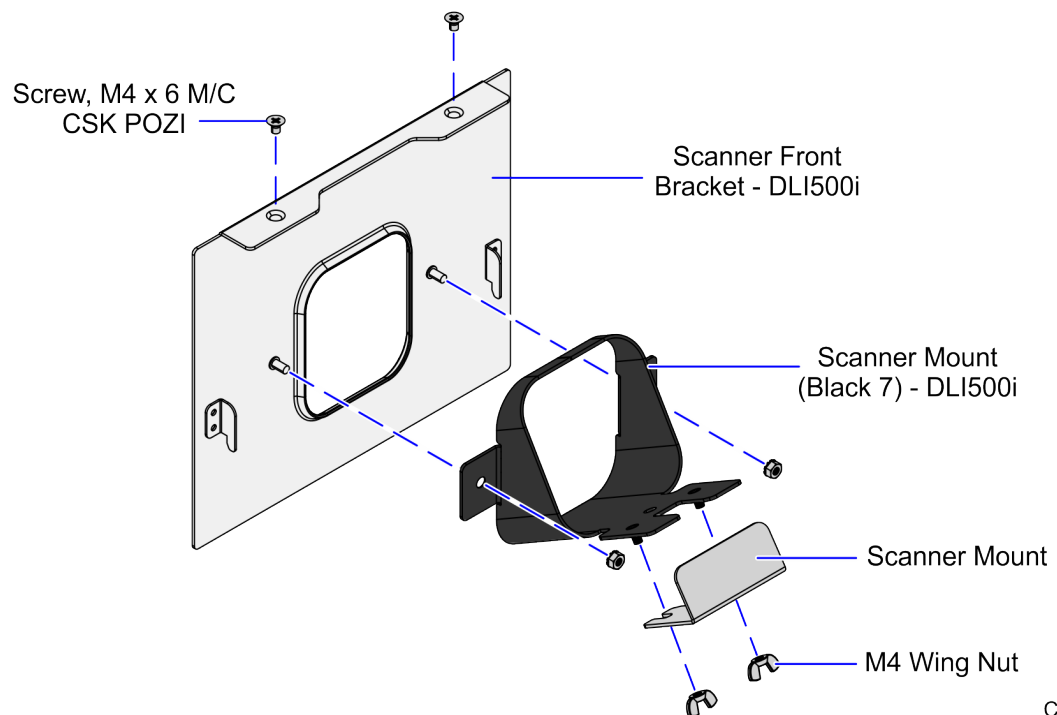
This publication provides procedures for installing a Scanner Bracket with Black Mount Assembly for a Datalogic Magellan 1500I Scanner on an NCR SelfServ™ Checkout (7707) unit.

Prerequisite

The 7707-K908 *Scanner Mount Assembly (Datalogic Magellan 1500I)* must be ordered together with either of the following Scanner kits to complete the assembly:

- 7707-K255 *Scanner (Datalogic Magellan 1500i) with 1.5 m Cable*
- 7707-K910 *Scanner (Datalogic Magellan 1500i) with 3.66 m Cable*

Kit Contents



Part Numbers	Description
497-0533535	7707-K909 Kit - Scanner Bracket with Black Mount (Datalogic Magellan DL1500i)

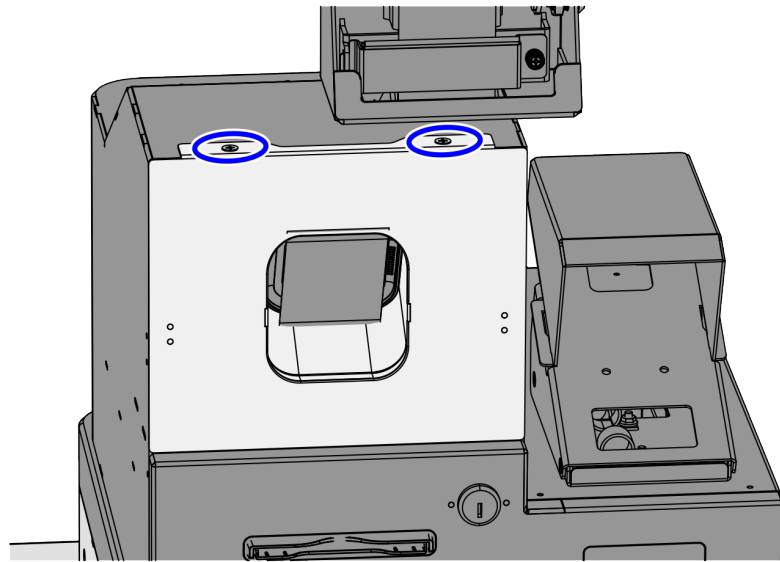
Part Numbers	Description
795-0297601	Scanner Front Bracket - DL1500i (DARK WHITE)
497-0533538	Scanner Mount (Black 7) - DL1500i
497-0530510	Scanner Mount
006-8625120	Nut, Wing, M4, Steel, Zinc Plated (2 pcs)
007-7022120	Screw MA Flat POZ M4 6L (2 pcs)
006-8611847	Nut, M4 keps (2 pcs)
* 497-0423108	Instructions Kit (Reference Sheet)

* Items marked with an asterisk are not called out on the image.

Installation Procedures

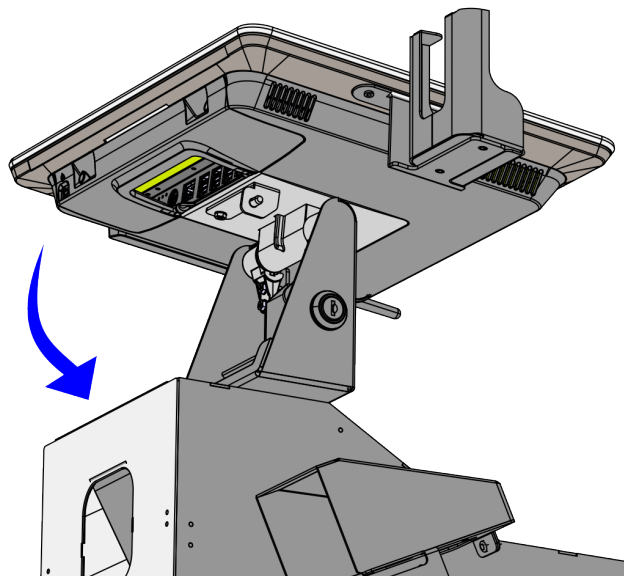
To install the Scanner Mount Assembly, follow these steps:

1. Remove the Datalogic Magellan 1500i Scanner and Scanner Mount Assembly, if necessary. For more information, refer to [Removing the Scanner \(Datalogic Magellan 1500i\) and Scanner Mount Assembly](#) on page v.
2. Install the Scanner (Datalogic Magellan I500i) to the Scanner Bracket with Black Mount Assembly. For more information, refer to [Installing the Datalogic Magellan 1500i Scanner](#) on page viii.
3. Install the Scanner Mount Assembly to the Scanner shelf and secure using two (2) screws.



CCP-80700

4. Lower the terminal.



CCP-80706

5. Close and then lock the R6-Japan external door, using a key.
6. Turn on the R6-Japan unit. The ADD/CADD window is displayed, showing available devices. For more information, refer to *NCR SelfServ™ Checkout (7707) R6-Japan Hardware Service Guide (BCC5-0000-5237)*.



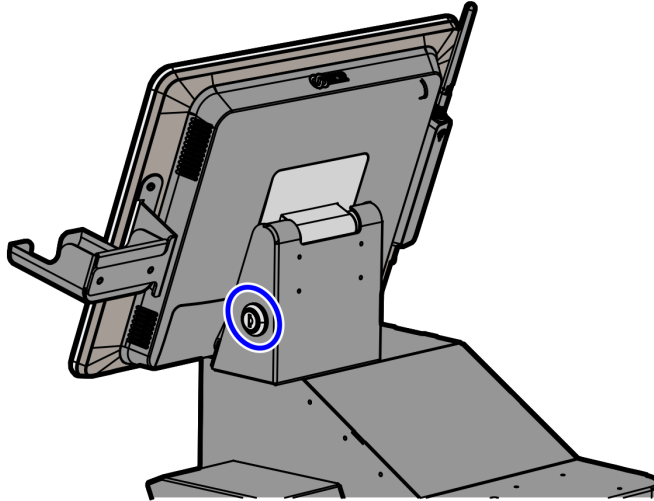
Note: The SelfServ Checkout application automatically runs and installs all available devices. If the new or replaced device is not listed in the ADD/CADD window, an error message is displayed. Follow the instructions on how to fix the error and then, restart the system.

7. Run **PML** and check if the Scanner is working properly. For instructions on how to use the PML tool, refer to the *NCR FastLane SelfServ™ Checkout Profile Manager Lite User Guide (B005-0000-2279)*.

Removing the Scanner (Datalogic Magellan 1500i) and Scanner Mount Assembly

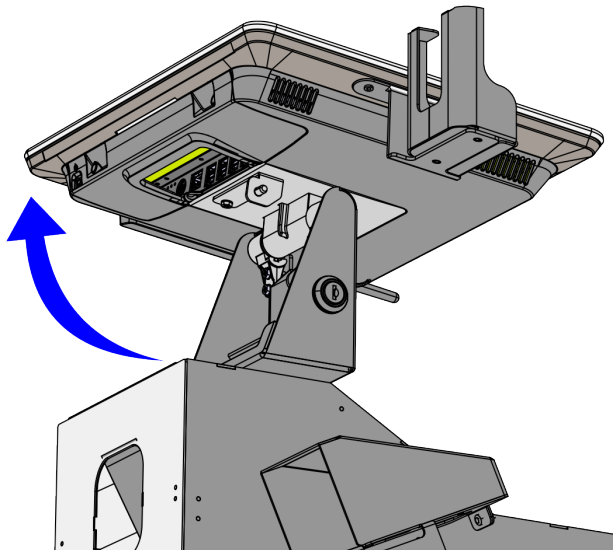
To remove the Scanner, follow these steps:

1. Turn off the SelfServ Checkout unit.
2. Access the Terminal Display cable connections by doing the following:
 - a. Unlock the Tower frame from the back panels using a key.



CCP-74703

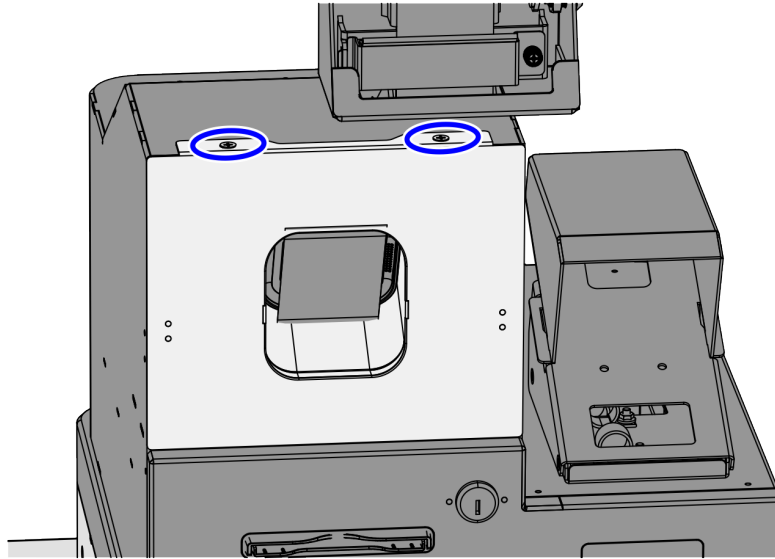
- b. Raise the terminal.



CCP-80199

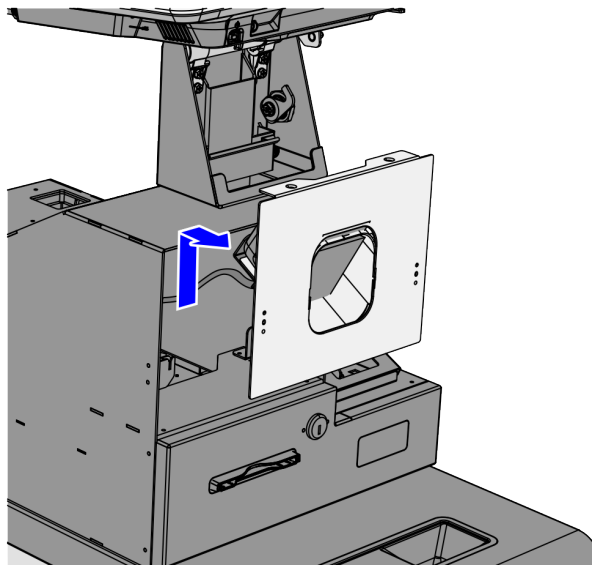
3. Open the cable cover by pushing both ends of the cover.
4. Disconnect the interface cable from the **USB Port D** of the Terminal Display.

5. Remove two (2) screws securing the Scanner Mount Assembly to the Scanner shelf, as shown in the image below.



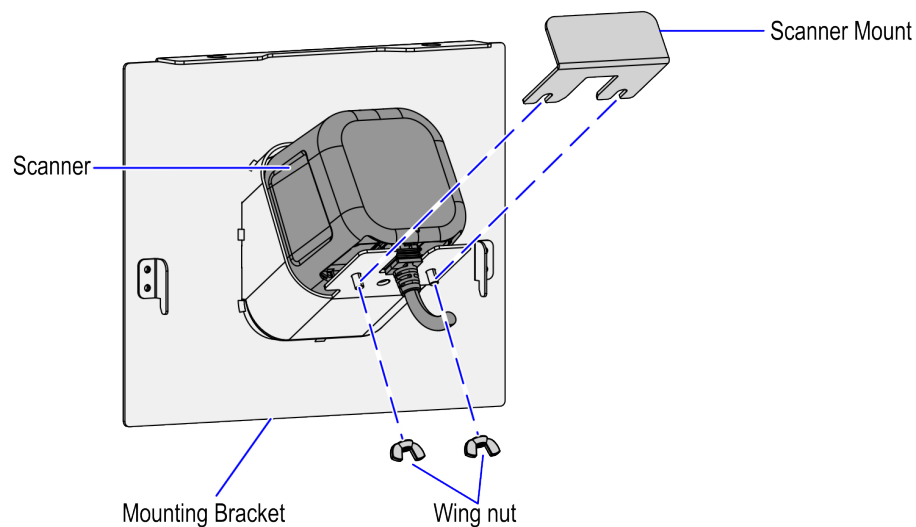
CCP-80700

6. Lift and then pull the Scanner Mount Assembly to disengage it from the cabinet.



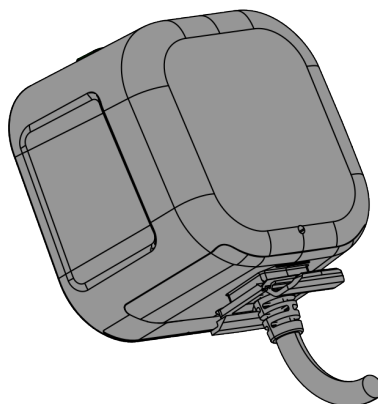
CCP-80709

7. On the back of the Mounting Bracket, remove two (2) wing nuts to detach the Scanner Mount from the Mounting Bracket, as shown in the image below.



CCP-80707

8. Disconnect the modular connector from the Scanner.



CCP-80703

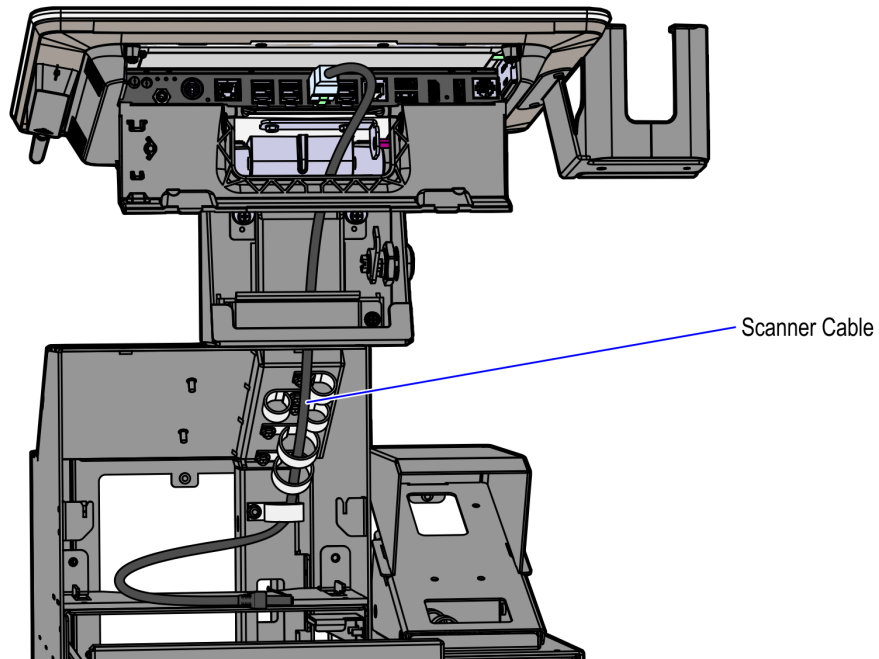
Installing the Datalogic Magellan 1500i Scanner

To install the Datalogic Magellan 1500i Scanner onto the Scanner Bracket with Black Mount, follow these steps:

1. Do the following:
 - a. Connect the interface cable to **USB Port D** of 7702 Terminal Display.
 - b. From the 7702 Terminal Display, route the cable down through the P-loops on the Upper Enclosure and connect to the scanner port, as shown in the image below.

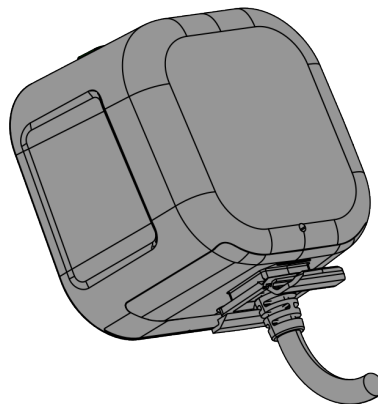


Note: Ensure that there is enough cable slack to avoid cables from being stretched during installation or removal procedures.



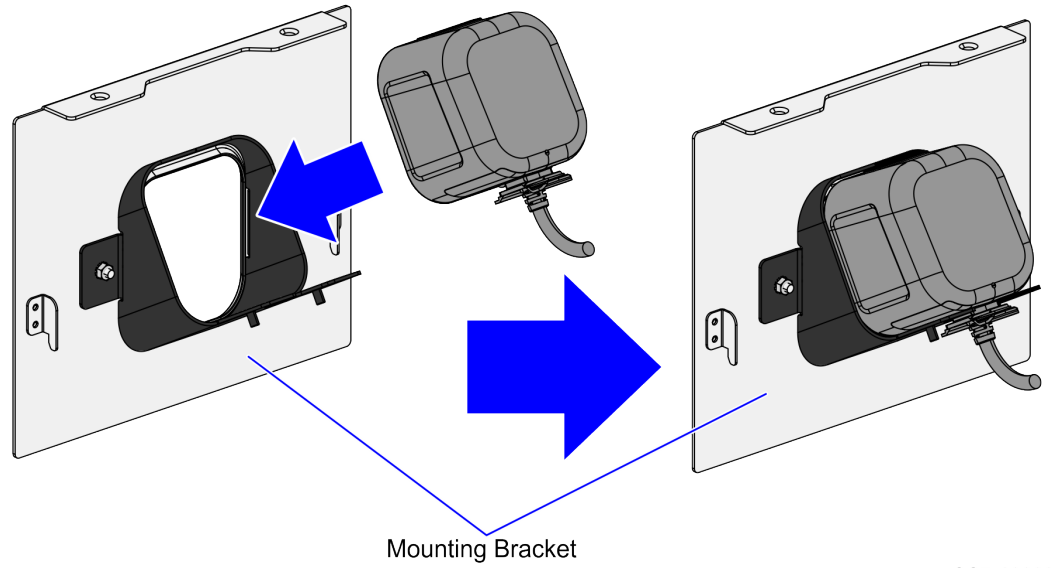
CCP-73488

2. Plug the connector to the Scanner, as shown in the image below.



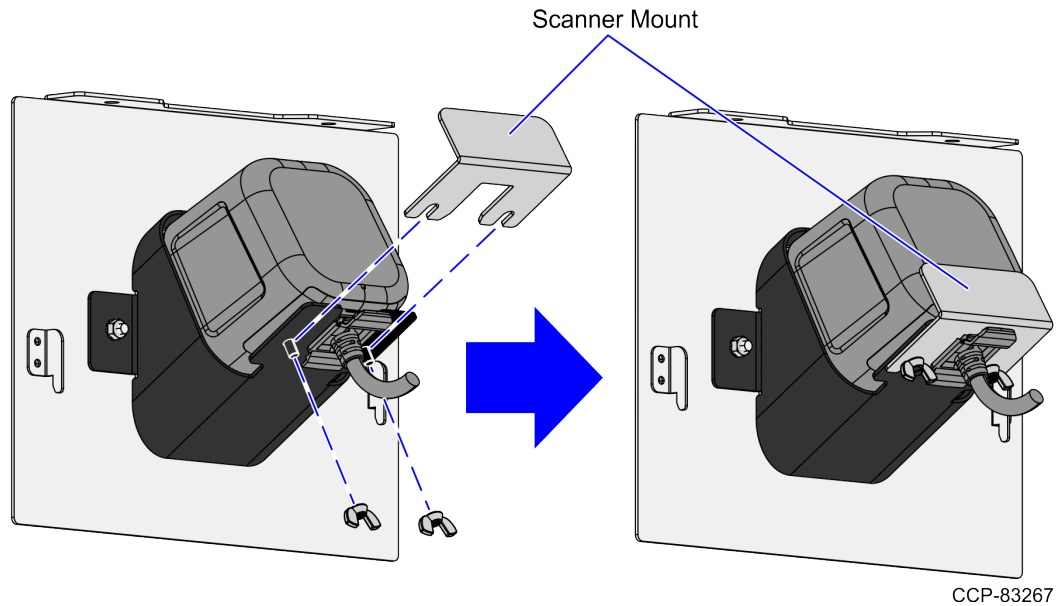
CCP-80703

3. On the back of the Mounting Bracket, do the following:
 - a. Insert the Scanner onto the Mounting Bracket, as shown in the image below:



CCP-83266

- b. Using two (2) wing nuts, secure the Scanner on the Mounting Bracket with the Scanner Mount, as shown in the image below.



CCP-83267

