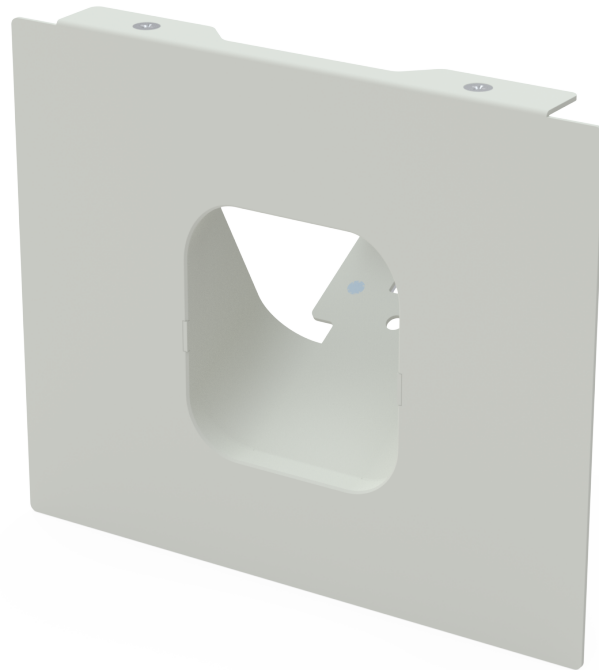


Kit Instructions

Scanner Mount Assembly (Datalogic Magellan 1500i)



7707-K908
Issue B



The product described in this document is a licensed product of NCR Corporation.

NCR is a registered trademark of NCR Corporation. NCR SelfServ™ Checkout is a trademark of NCR Corporation in the United States and/or other countries. Other product names mentioned in this publication may be trademarks or registered trademarks of their respective companies and are hereby acknowledged.

Where creation of derivative works, modifications or copies of this NCR copyrighted documentation is permitted under the terms and conditions of an agreement you have with NCR, NCR's copyright notice must be included.

It is the policy of NCR Corporation (NCR) to improve products as new technology, components, software, and firmware become available. NCR, therefore, reserves the right to change specifications without prior notice.

All features, functions, and operations described herein may not be marketed by NCR in all parts of the world. In some instances, photographs are of equipment prototypes. Therefore, before using this document, consult with your NCR representative or NCR office for information that is applicable and current.

Copyright © 2021 - 2023

By NCR Corporation

864 Spring St. NW

Atlanta, GA 30308

United States

All Rights Reserved

Revision Record

Issue	Date	Remarks
A	Apr 2021	First Issue
B	May 2023	Added <i>Installing the Datalogic Magellan 1500i Scanner</i> on page 7.

Scanner Mount Assembly (Datalogic Magellan 1500I)

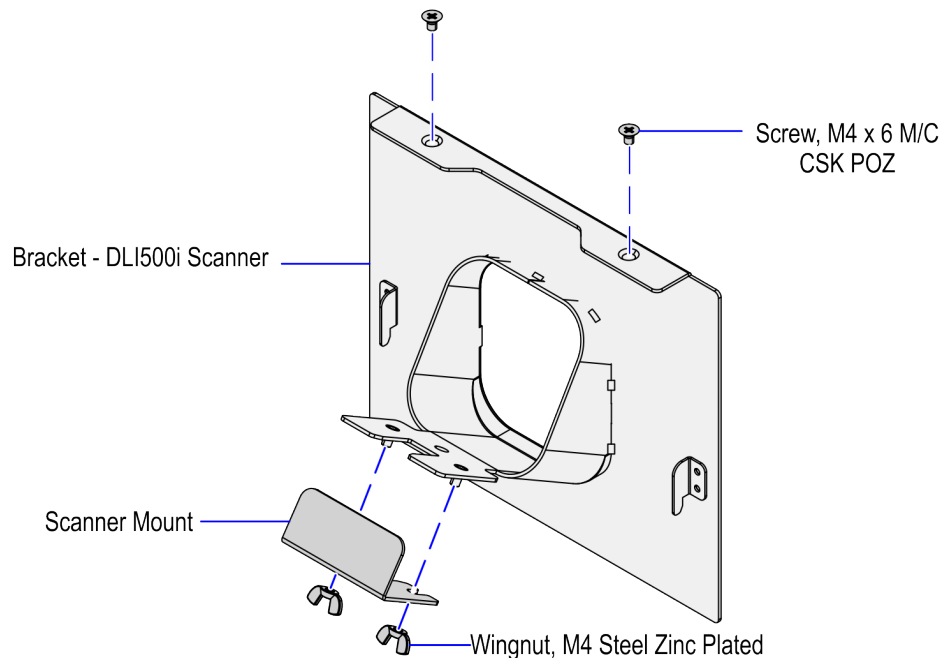
This publication provides procedures for installing a Scanner Mount Assembly for a Datalogic Magellan 1500I Scanner on an NCR SelfServ™ Checkout (7707) unit.

Prerequisite

The 7707-K908 Scanner Mount Assembly (Datalogic Magellan 1500I) must be ordered together with either of the following Scanner kits to complete the assembly:

- 7707-K255 Scanner (Datalogic Magellan 1500i) with 1.5 m Cable
- 7707-K910 Scanner (Datalogic Magellan 1500i) with 3.66 m Cable

Kit Contents



CCP-80198

Part Number	Description
497-0530493	KIT - 7707-K908 Scanner Mount Assembly (Datalogic Magellan 1500I)
795-0291901	Bracket - 1500I Scanner (Dark White)

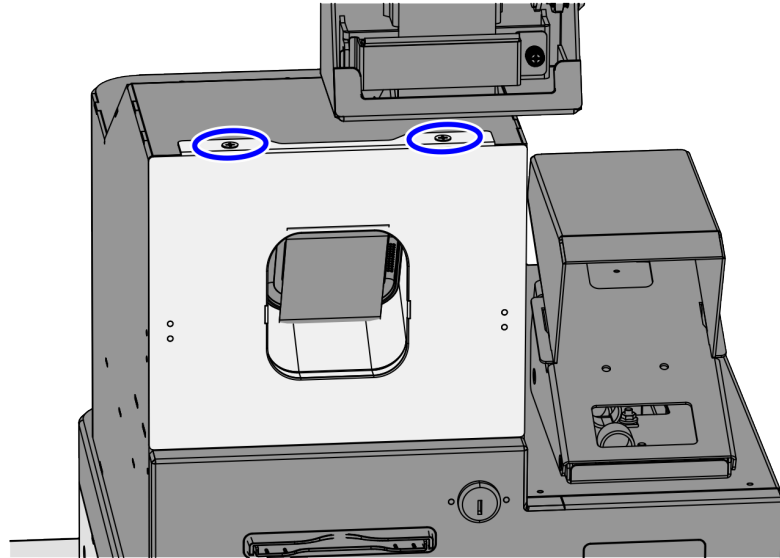
Part Number	Description
497-0530510	Scanner Mount
006-8625120	Nut, Wing, M4, Steel, Zinc Plated (2 pcs)
007-7022120	Screw MA Flat Poz M4 6L (2 pcs)
* 497-0423108	Instructions - Kit (Reference Sheet)

* Items marked with an asterisk are not called out on the image.

Installation Procedures

To install the Scanner Mount Assembly, follow these steps:

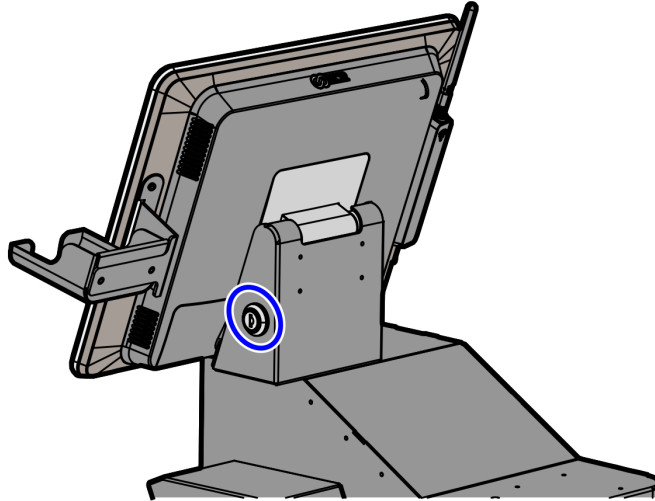
1. Remove the Datalogic Magellan 1500i Scanner and Scanner Mount Assembly, if necessary. For more information, refer to [Removing the Scanner \(Datalogic Magellan 1500i\) and Scanner Mount Assembly](#) on the next page.
2. Install the Scanner (Datalogic Magellan I500i) to the Scanner Mount Assembly. For more information, refer to [Installing the Datalogic Magellan 1500i Scanner](#) on page 7.
3. Mount the Scanner Mount Assembly to the Scanner shelf and secure using two (2) screws.



Removing the Scanner (Datalogic Magellan 1500i) and Scanner Mount Assembly

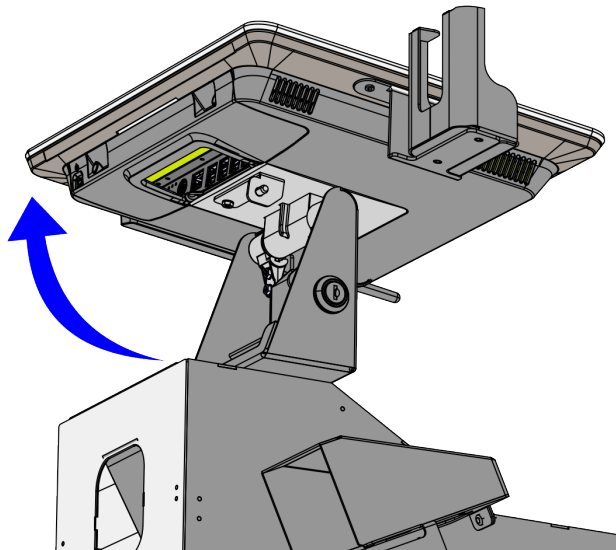
To remove the Scanner, follow these steps:

1. Turn off the SelfServ Checkout unit.
2. Access the Terminal Display cable connections by doing the following:
 - a. Unlock the Tower frame from the back panels using a key.



CCP-74703

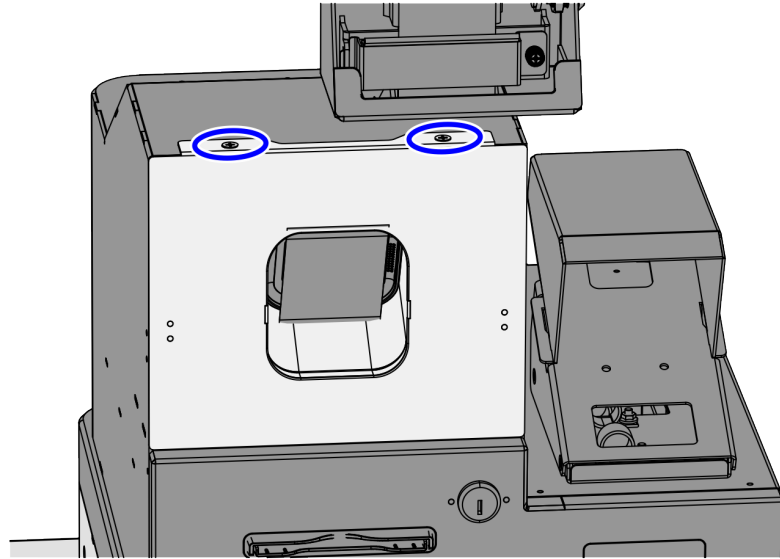
- b. Raise the terminal.



CCP-80199

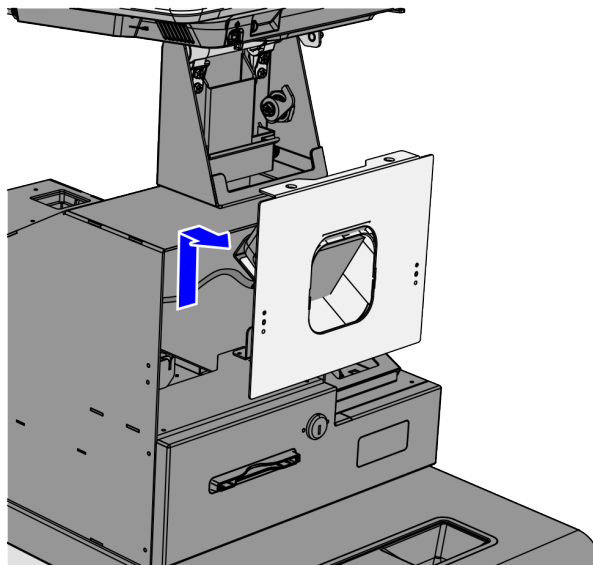
3. Open the cable cover by pushing both ends of the cover.
 4. Disconnect the interface cable from the **USB Port D** of the Terminal Display.

5. Remove two (2) screws securing the Scanner Mount Assembly to the Scanner shelf, as shown in the image below.



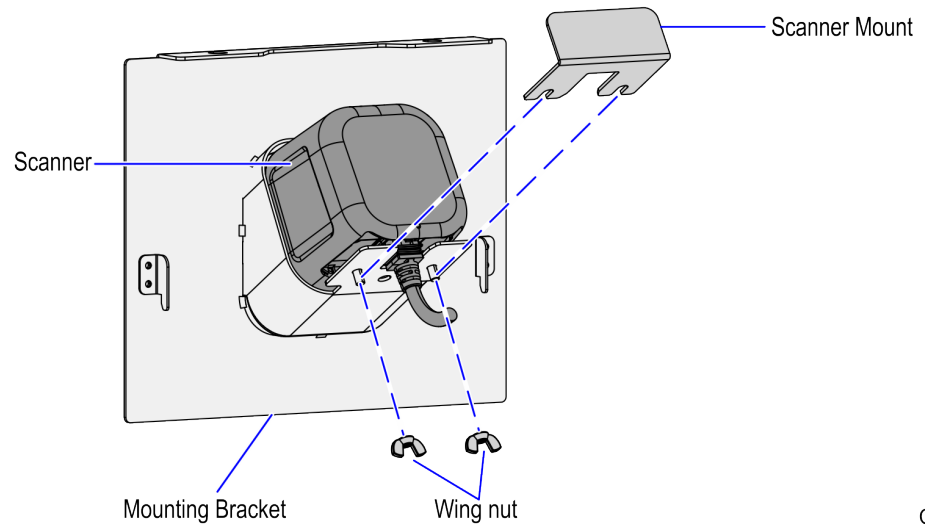
CCP-80700

6. Lift and then pull the Scanner Mount Assembly to disengage it from the cabinet.



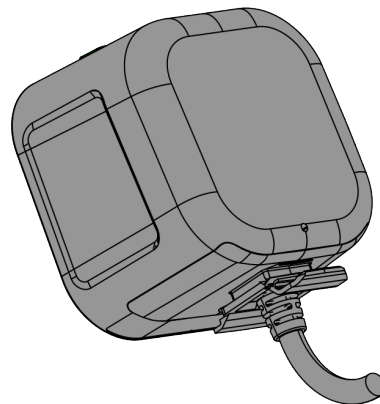
CCP-80709

7. On the back of the Mounting Bracket, remove two (2) wing nuts to detach the Scanner Mount from the Mounting Bracket, as shown in the image below.



CCP-80707

8. Disconnect the modular connector from the Scanner.



CCP-80703

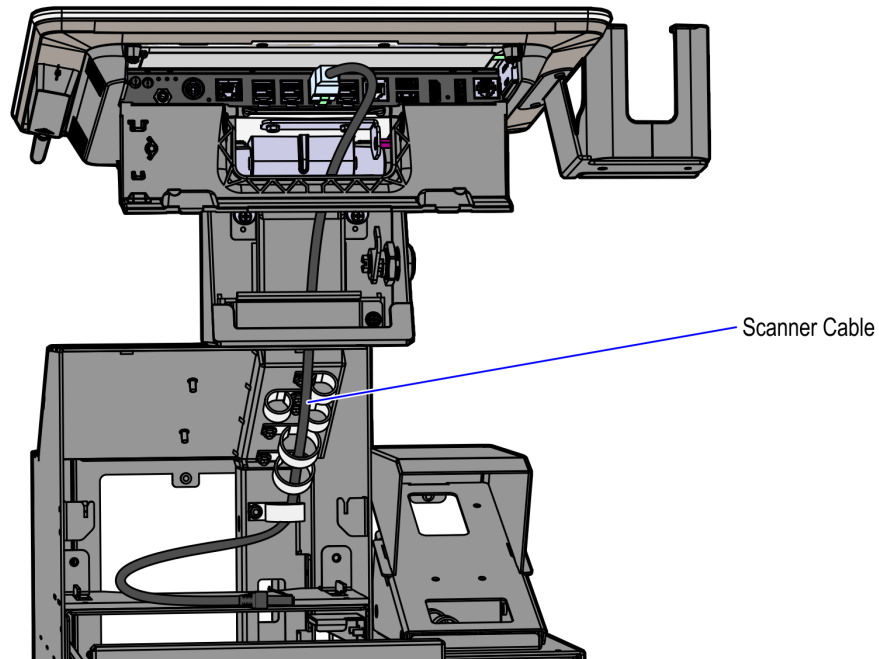
Installing the Datalogic Magellan 1500i Scanner

To install the Datalogic Magellan 1500i Scanner unto the Scanner Mount Assembly, follow these steps:

1. Do the following:
 - a. Connect the interface cable to **USB Port D** of 7702 Terminal Display.
 - b. From the 7702 Terminal Display, route the cable down through the P-loops on the Upper Enclosure and connect to the scanner port, as shown in the image below.

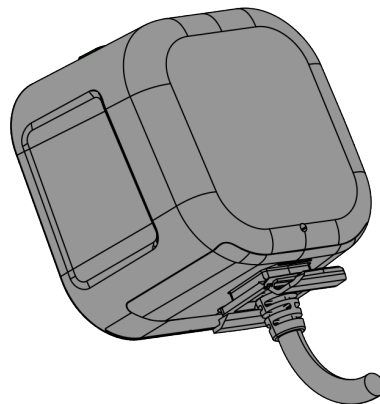


Note: Ensure that there is enough cable slack to avoid cables from being stretched during installation or removal procedures.



CCP-73488

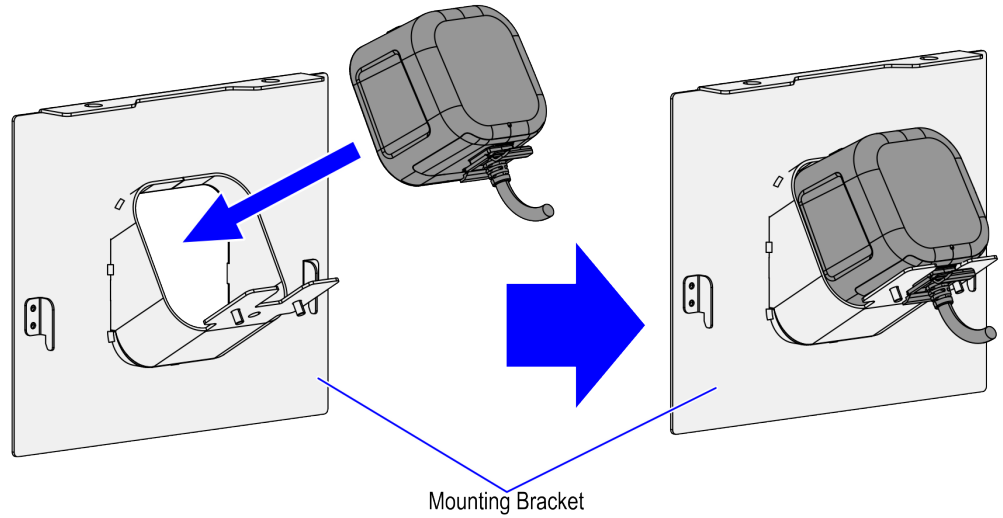
2. Plug the connector to the Scanner, as shown in the image below.



CCP-80703

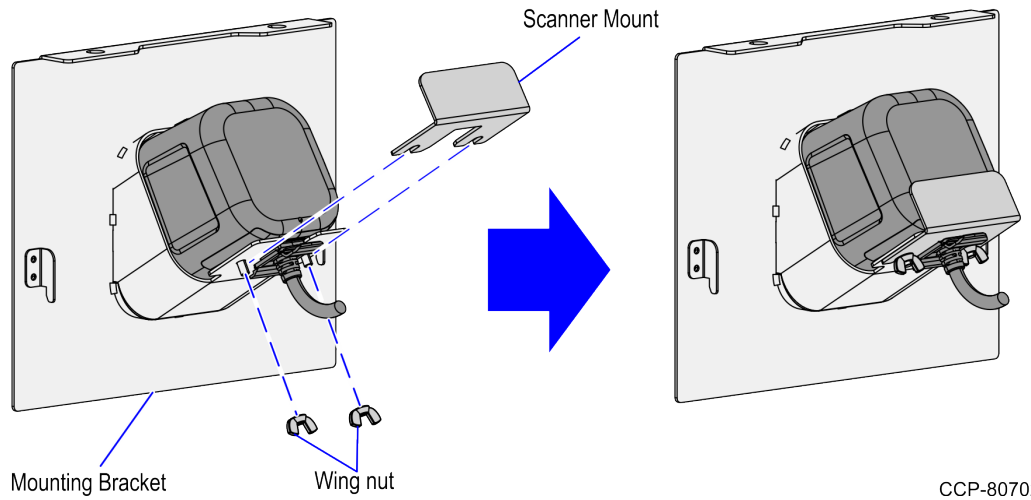
3. On the back of the Mounting Bracket, do the following:

a. Insert the Scanner onto the Mounting Bracket, as shown in the image below:



CCP-80701

b. Using two (2) wing nuts, secure the Scanner on the Mounting Bracket with the Scanner Mount, as shown in the image below.



CCP-80702