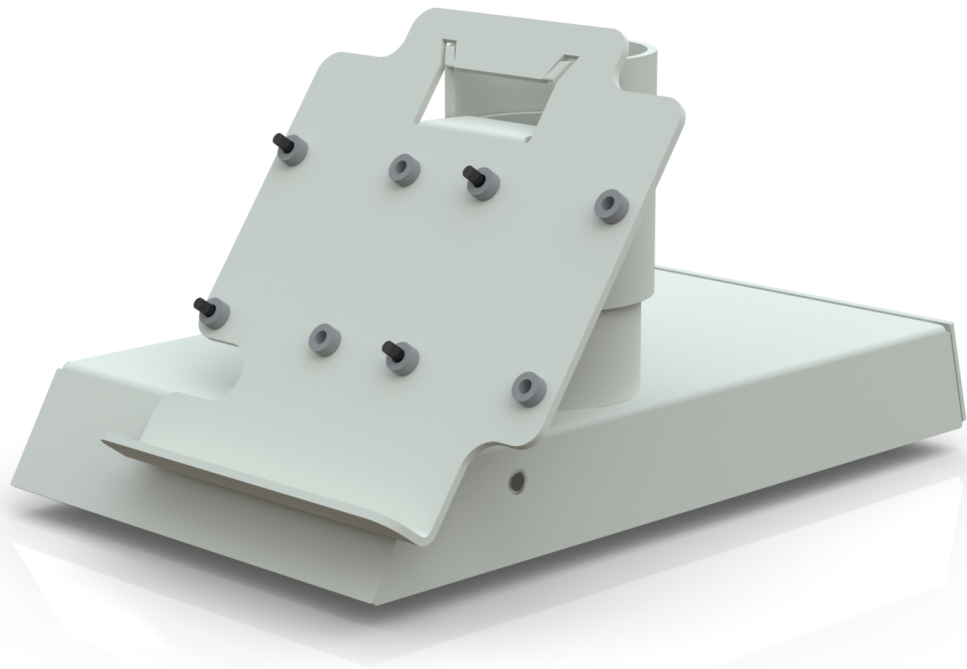


# Kit Instructions

## E-Money Terminal Mount (Castles)



7707-K905  
Issue B



---

The product described in this document is a licensed product of NCR Corporation.

NCR is a registered trademark of NCR Corporation. NCR SelfServ™ Checkout is a trademark of NCR Corporation in the United States and/or other countries. Other product names mentioned in this publication may be trademarks or registered trademarks of their respective companies and are hereby acknowledged.

Where creation of derivative works, modifications or copies of this NCR copyrighted documentation is permitted under the terms and conditions of an agreement you have with NCR, NCR's copyright notice must be included.

It is the policy of NCR Corporation (NCR) to improve products as new technology, components, software, and firmware become available. NCR, therefore, reserves the right to change specifications without prior notice.

All features, functions, and operations described herein may not be marketed by NCR in all parts of the world. In some instances, photographs are of equipment prototypes. Therefore, before using this document, consult with your NCR representative or NCR office for information that is applicable and current.

To maintain the quality of our publications, we need your comments on the accuracy, clarity, organization, and value of this book. Please use the link below to send your comments.

Email: [FD230036@ncr.com](mailto:FD230036@ncr.com)

Copyright © 2020  
By NCR Corporation  
864 Spring St. NW  
Atlanta, GA 30308  
United States  
All Rights Reserved

## Revision Record

Issue	Date	Remarks
A	Sep 2019	First Issue
B	Oct 2020	Updated Kit Contents

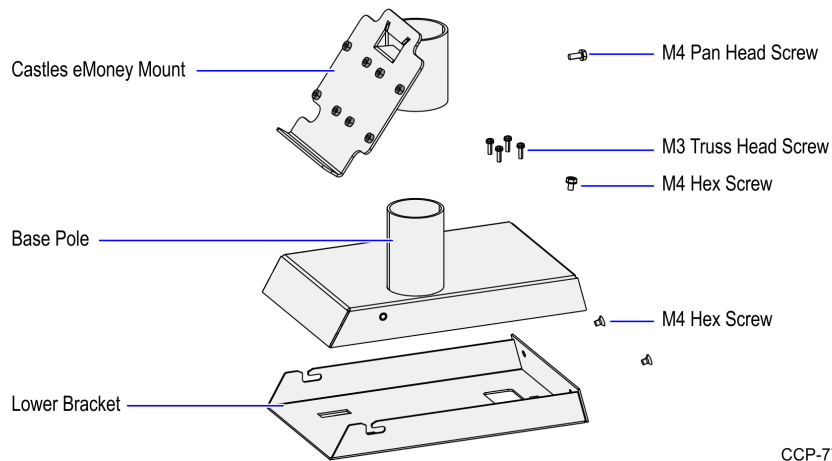
# E-Money Terminal Mount (Castles)

This publication provides procedures for installing an E-Money Terminal Mount for a Castles E-Money Terminal on an NCR SelfServ™ Checkout (7707) unit.



**Note:** The Castles E-Money Terminal is supplied by the customer.

## Kit Contents



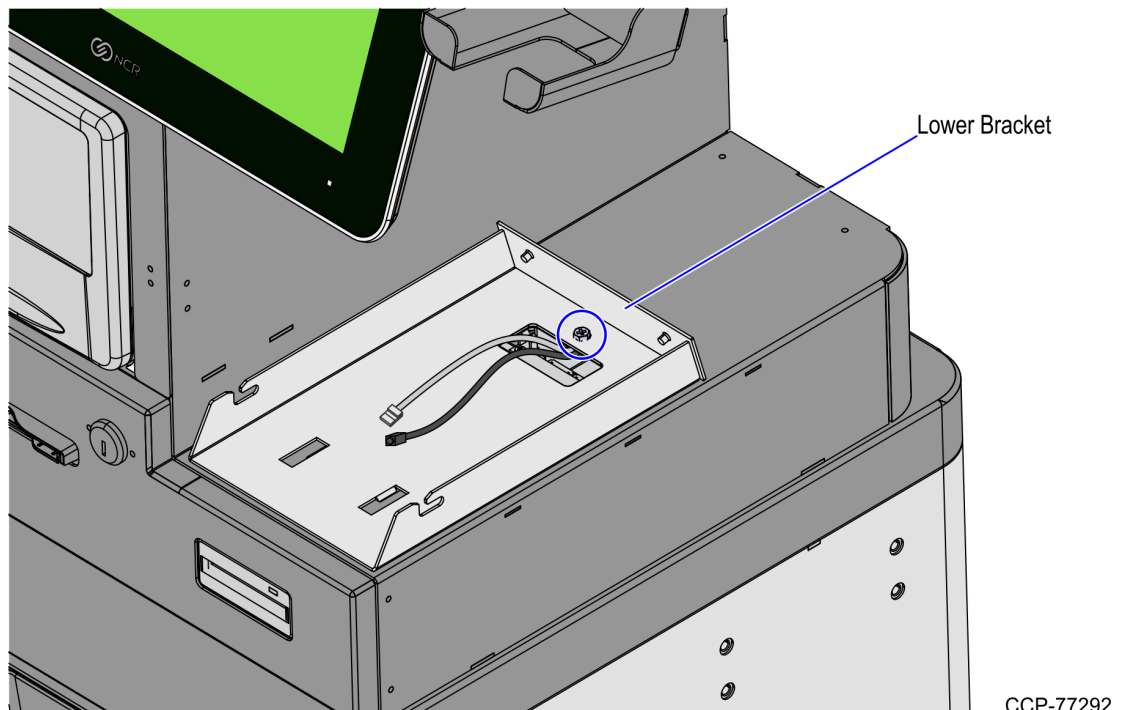
Part Number	Description
497-0529826	7707-K905 E-Money Terminal Mount (Castles)
497-0529825	Base Pole - 44
497-0526331	Castles, Lower Bracket
497-0529243	Castles Emoney Mount
007-7022120	Screw MA Flat POZ M4 6L (2 pcs)
006-8621611	Screw - M3 x 10 mm, Machine, Phillips Pan Head, With External Tooth Washer, Black Zinc (4 pcs)
009-0006592	Screws (Hex, POZDRIV, M4, 6.0)
009-0006593	Screws M4 x 10
* 497-0423108	Instructions-Kit (Reference Sheet)

\* Items marked with an asterisk are not called out on the image.

# Installation Procedures

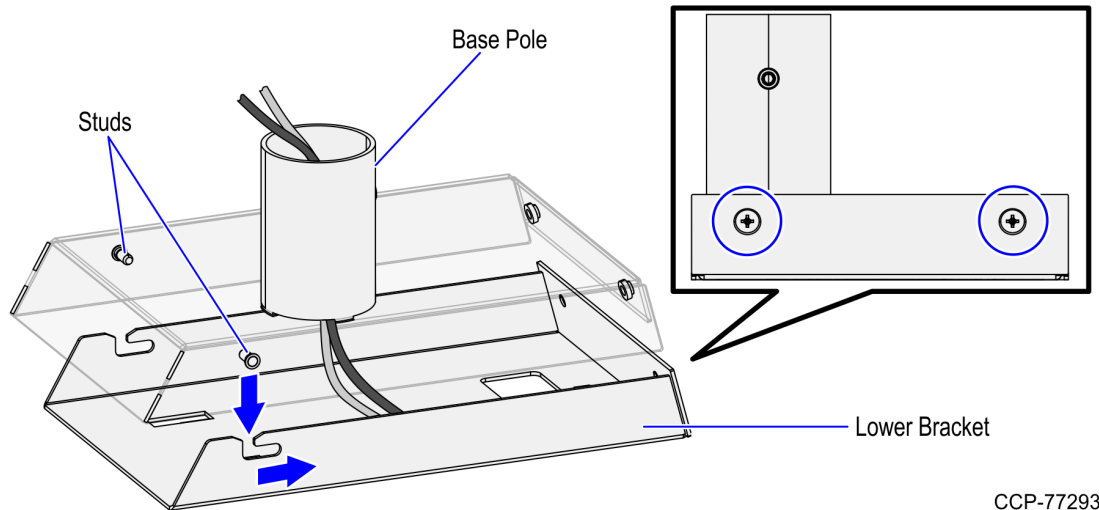
To install a Castles E-Money Terminal Mount on an NCR SelfServ™ Checkout (7707) unit, follow these steps:

1. Do either of the following:
  - Remove the existing E-Money Terminal, if necessary. For more information, refer to *NCR SelfServ™ Checkout (7707) Hardware Service Guide (BCC5-0000-5237)*.
  - For units with no E-Money Terminal, remove the Blanking Plate. For more information, refer to [Removing E-Money Terminal Blanking Plate](#) on page 5.
2. Route the E-Money Terminal cables. For more information, refer to [Routing E-Money Terminal Cables](#) on page 6.
3. Mount the hooks of the lower bracket to the SelfServ Checkout Upper Enclosure to lock in place and then secure using a screw, as shown in the image below.

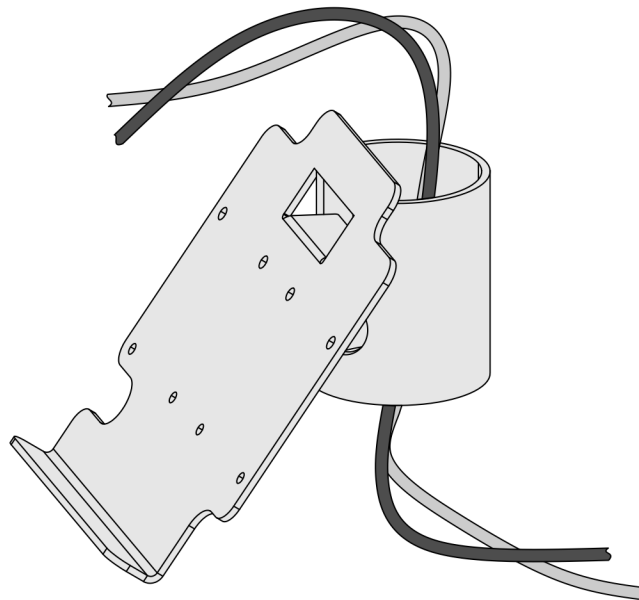


4. Route the E-Money Terminal cables up into the base pole.

5. Mount the studs of the base pole to the hooks of the lower bracket and then secure using two (2) screws, as shown in the image below.

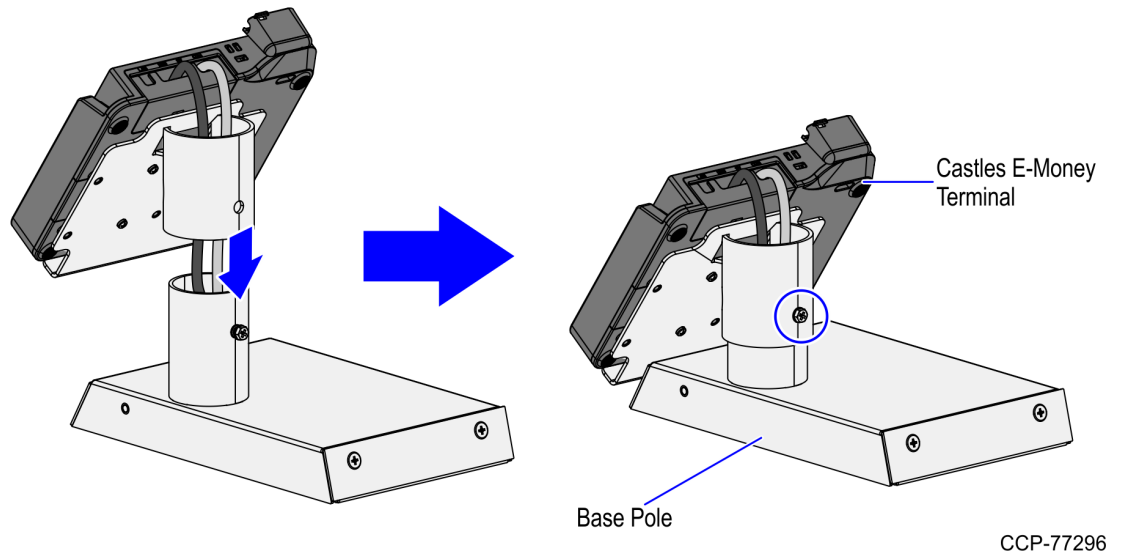


6. Route the cables into the pole of the Castles E-Money Terminal Mount, as shown in the image below.



7. Install the Castles E-Money Terminal on the Mount. For more information, refer to [Installing Castles E-Money Terminal on Mount](#) on page 8.

8. Mount and secure the Castles E-Money Terminal Assembly to the base pole using a screw, as shown in the image below.



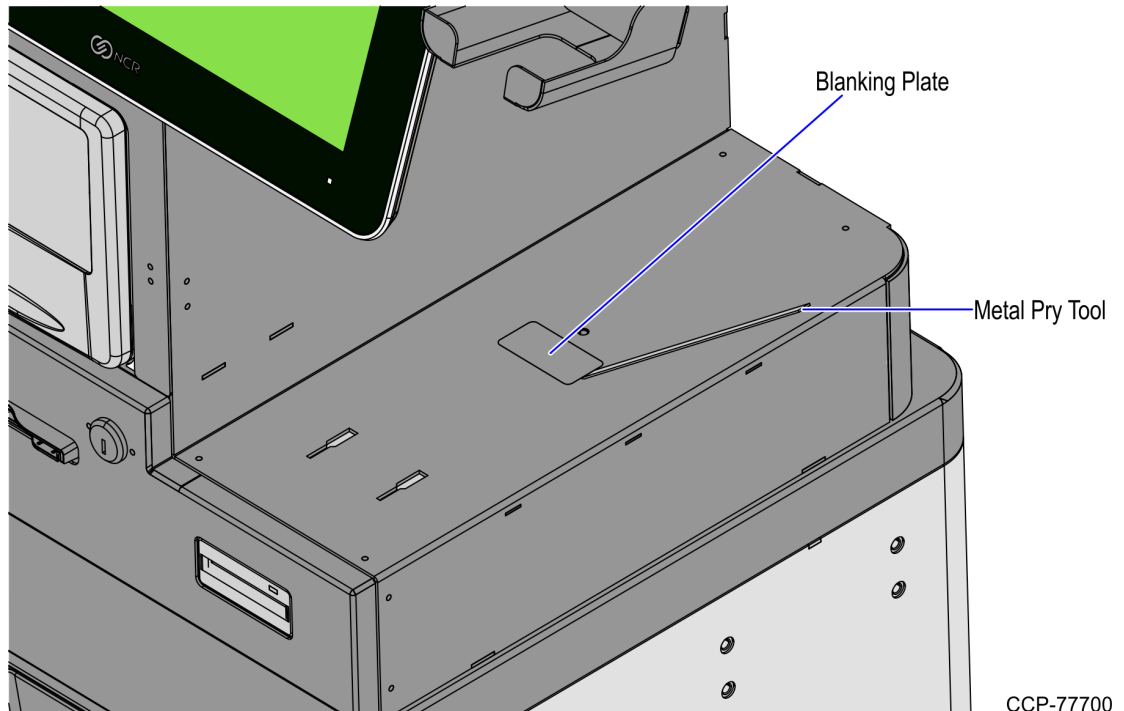
## Removing E-Money Terminal Blanking Plate

To remove the E-Money Terminal Blanking Plate, follow these steps:

1. Using a metal pry tool or a flat screwdriver, slowly remove the Blanking Plate by starting from the sides until the plate is completely detached.



**Note:** Use the pry tool with caution to avoid scratches on the paint.



2. Using a cloth or a cotton rag, clean the top surface with isopropyl alcohol to remove any adhesive residue.



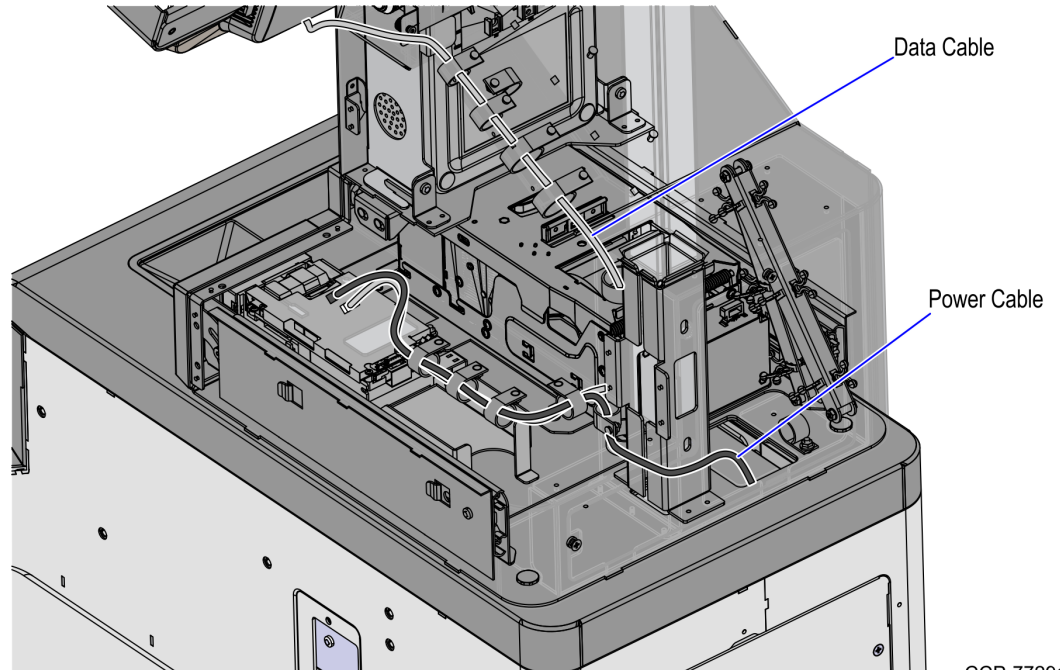
**Caution:** Too much isopropyl alcohol can damage the surface paint of the unit.



## Routing E-Money Terminal Cables

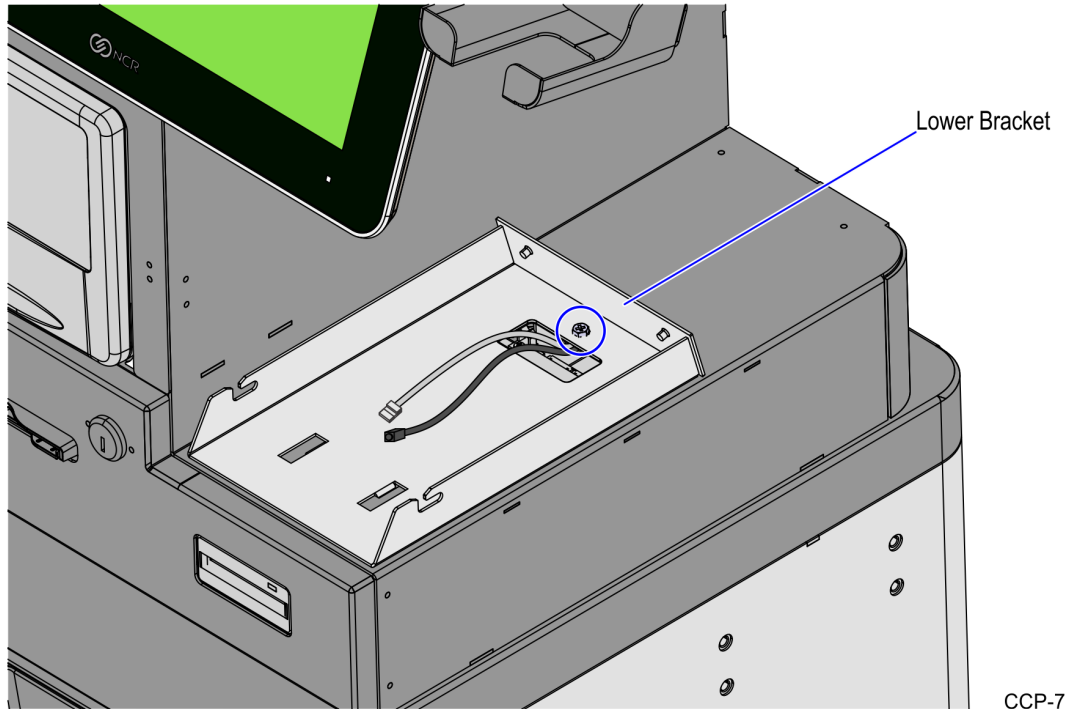
To route the E-Money Terminal cables in the R6-Japan unit, follow these steps:

1. Do the following:
  - a. Route the power cable from the Lower Cabinet up to the Upper Enclosure through P-loops.
  - b. Route the data cable from the NCR Terminal Display down the Upper Enclosure through the P- loops.



CCP-77291

2. Route the cables through the hole of the lower bracket, as shown on the image below.

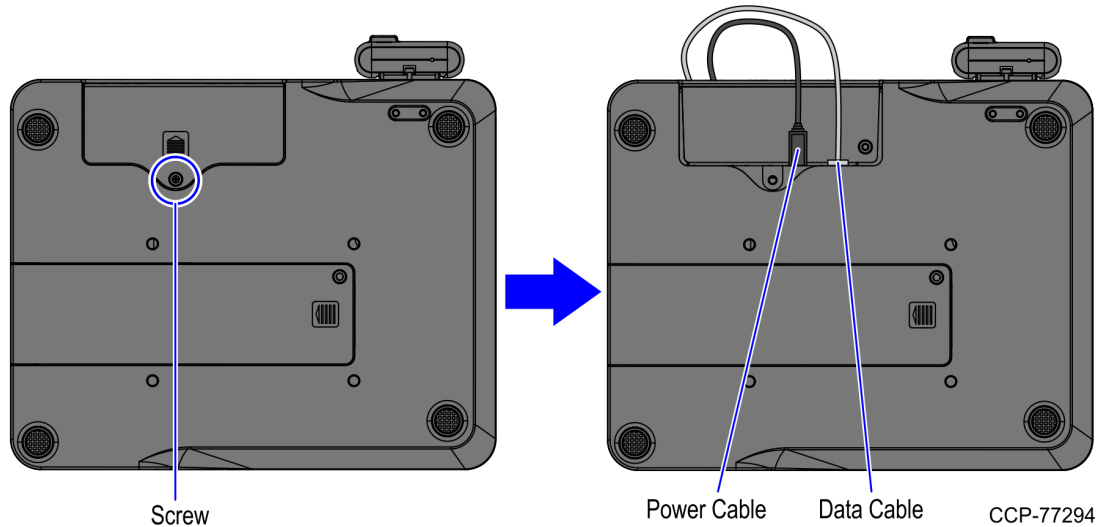


**Note:** Ensure that there is enough cable slack to avoid cables from being stretched during installation or removal procedures.

## Installing Castles E-Money Terminal on Mount

To install the Castles E-Money Terminal, follow these steps:

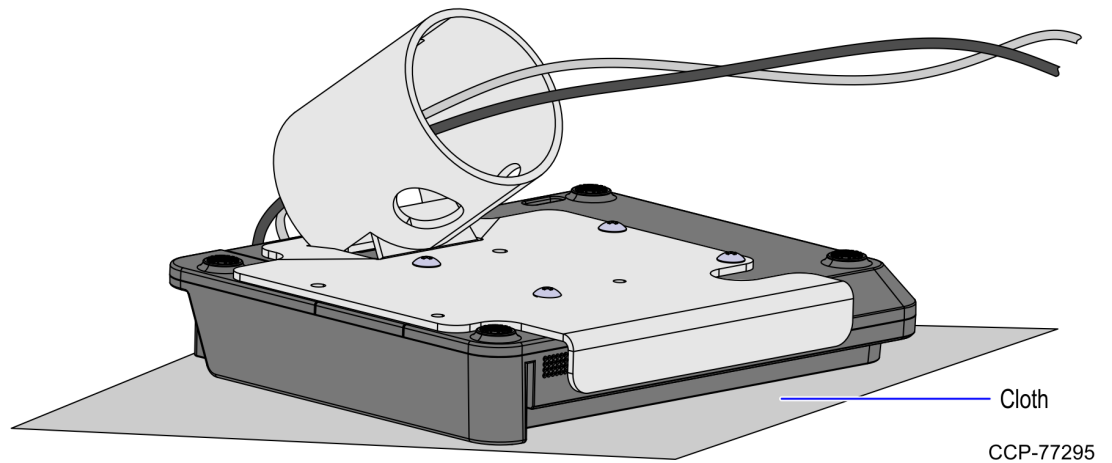
1. Open the E-Money Terminal cover by removing a screw and then connect the power and data cables to the corresponding ports.




2. Close the E-Money Terminal cover.
3. Place the E-Money Terminal on a flat and smooth surface with the back facing up and then place the E-Money Terminal Mount on top of the E-Money Terminal, as shown in the image below.

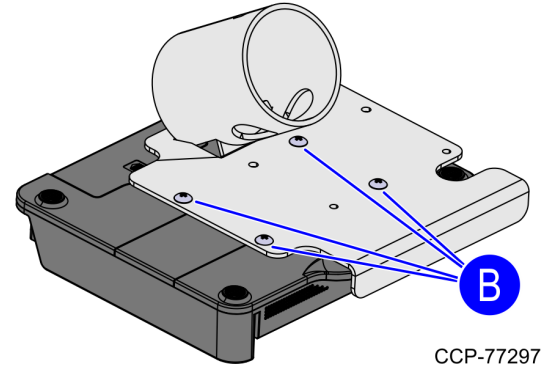
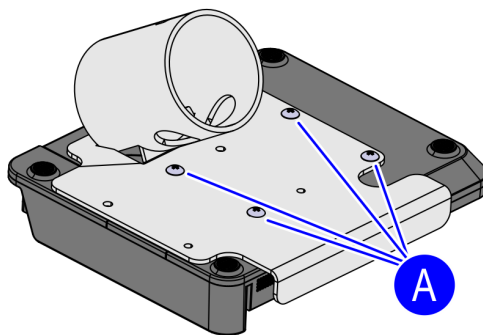
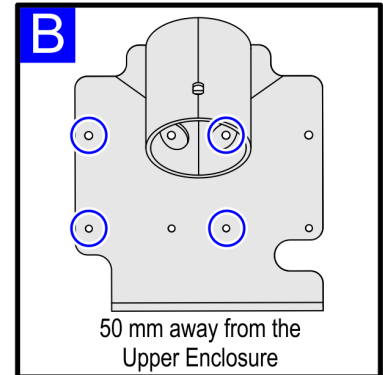
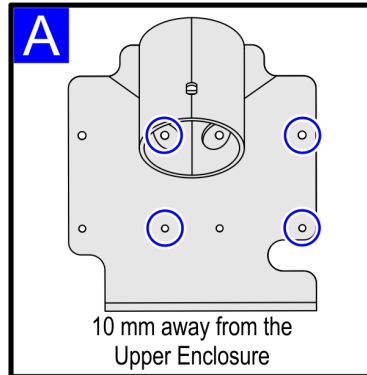


**Note:** Place a cloth under the E-Money Terminal to keep the device safe.



- Secure the E-Money Terminal mount to the E-Money Terminal using four (4) screws. Use the corresponding screw holes based on the preferred distance from the E-Money Terminal to the Upper Enclosure, as shown in the images below.

 **Caution:** To avoid causing damage to the device, **do not overtighten** the screws.



CCP-77297