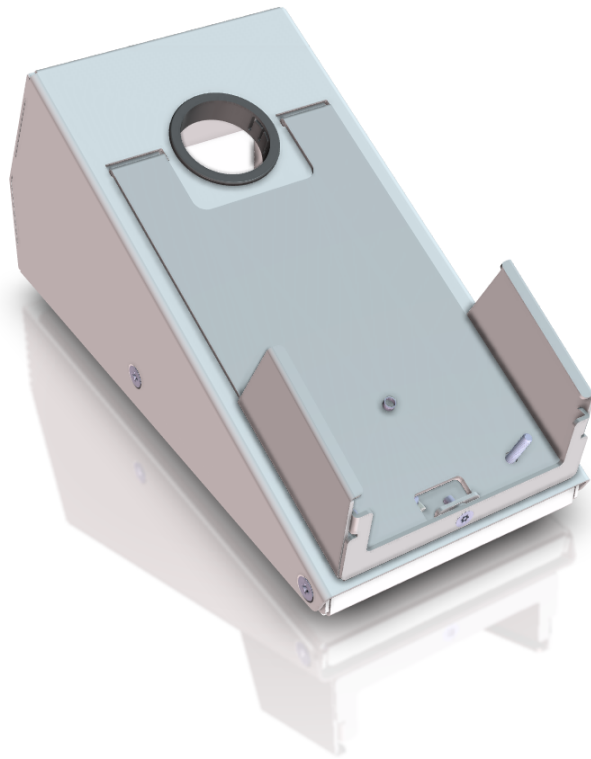


Kit Instructions

E-Money Terminal Mount (WAON RW)



7707-K903
Issue B



The product described in this document is a licensed product of NCR Corporation.

NCR is a registered trademark of NCR Corporation. NCR SelfServ™ Checkout is a trademark of NCR Corporation in the United States and/or other countries. Other product names mentioned in this publication may be trademarks or registered trademarks of their respective companies and are hereby acknowledged.

Where creation of derivative works, modifications or copies of this NCR copyrighted documentation is permitted under the terms and conditions of an agreement you have with NCR, NCR's copyright notice must be included.

It is the policy of NCR Corporation (NCR) to improve products as new technology, components, software, and firmware become available. NCR, therefore, reserves the right to change specifications without prior notice.

All features, functions, and operations described herein may not be marketed by NCR in all parts of the world. In some instances, photographs are of equipment prototypes. Therefore, before using this document, consult with your NCR representative or NCR office for information that is applicable and current.

To maintain the quality of our publications, we need your comments on the accuracy, clarity, organization, and value of this book. Please use the link below to send your comments.

Email: FD230036@ncr.com

Copyright © 2019
By NCR Corporation
864 Spring St. NW
Atlanta, GA 30308
United States
All Rights Reserved

Revision Record

Issue	Date	Remarks
A	Feb 2019	First Issue
B	Nov 2019	Added to IP Kit Repository site with HTML version.

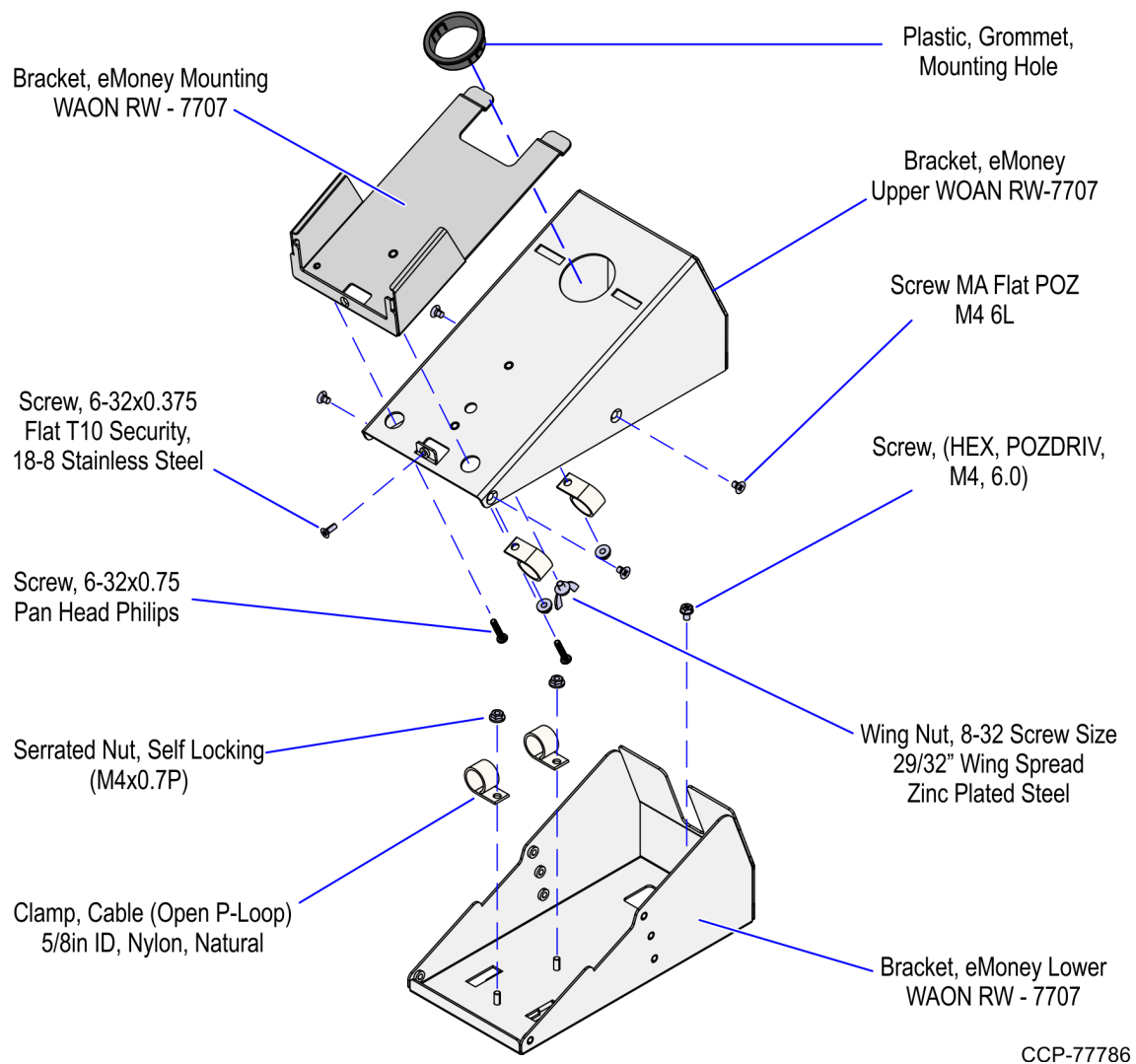
E-Money Terminal Mount (WAON RW)

This publication provides procedures for installing an E-Money Terminal Mount for a WAON RW E-Money Terminal on an NCR SelfServ™ Checkout (7707) unit.



Note: The WAON RW E-Money Terminal is supplied by the customer.

Kit Contents



Part Number	Description
497-0524690	7707-K903 E-Money Terminal Mount (WAON RW)

Part Number	Description
006-8613853	Screw -6-32 x 0.75 in Pan Head Phillips Machine, Zinc-Pltd Stl (2 pcs)
497-0524692	Bracket - eMoney Upper WAON RW - 7707
006-8616845	Clamp - Cable (Open P-Loop), 5/8 in ID, Nylon, Natural (4 pcs)
497-0524691	Bracket - eMoney Lower WAON RW - 7707
497-0525092	Bracket - eMoney Mounting WAON RW - 7707
006-8612735	Wing Nut - 8-32 Screw Size, 29/32" Wing Spread, Zinc-Plated Steel
006-8625144	Plastic - Grommet - Mounting Hole Diameter 1.5 in
006-8627187	Screw - 6-32 X 0.375 FLAT T10 Security, 18-8 Stainless Steel
006-8627665	Screw (HEX, POZDRIV, M4, 6.0)
006-8627664	Serrated Nut - Self Locking (M4 X 0.7P) (4 pcs)
006-8627666	Screw MA Flat POZ M4 6L (4 pcs)
* 497-0423108	Instructions Kit (Reference Sheet)

* Items marked with an asterisk are not called out on the image.

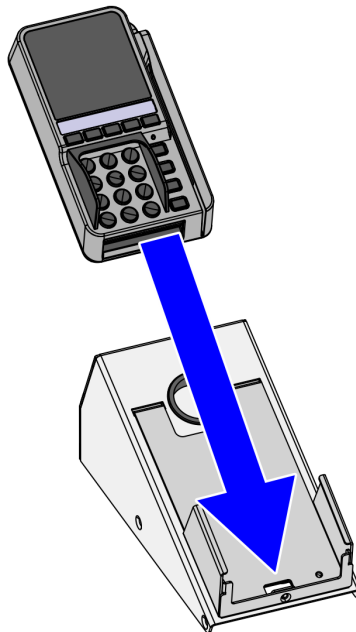
Installation Procedures

To install WAON RW E-Money Terminal Mount on an NCR SelfServ™ Checkout (7707) unit, follow these steps:

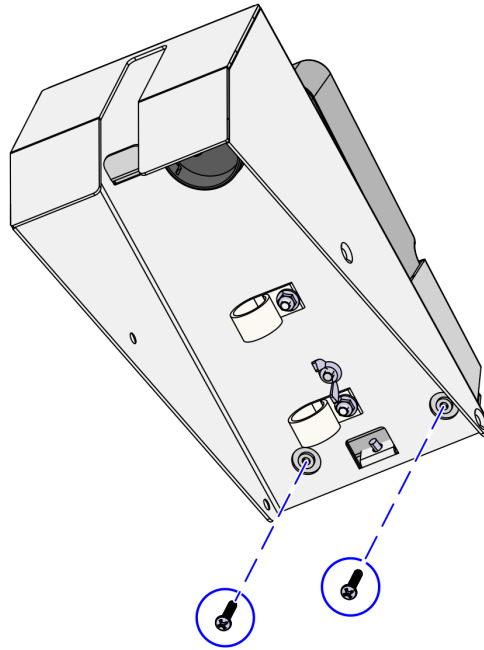


Note: Use a #2 Phillips Magnetized Screwdriver to easily handle the screws.

1. Do either of the following:
 - Remove the existing E-Money Terminal, if necessary. For more information, refer to *NCR SelfServ™ Checkout (7707) Hardware Service Guide (BCC5-0000-5237)*.
 - For units with no E-Money Terminal, remove the Blanking Plate. For more information, refer to [Removing E-Money Terminal Blanking Plate](#) on page 9.
2. Install the WAON RW E-Money Terminal on the E-Money Terminal Mount by doing the following:
 - a. Connect the power and data cables to the E-Money Terminal.
 - b. Insert the E-Money Terminal onto the Upper Mounting Bracket, as shown in the image below.



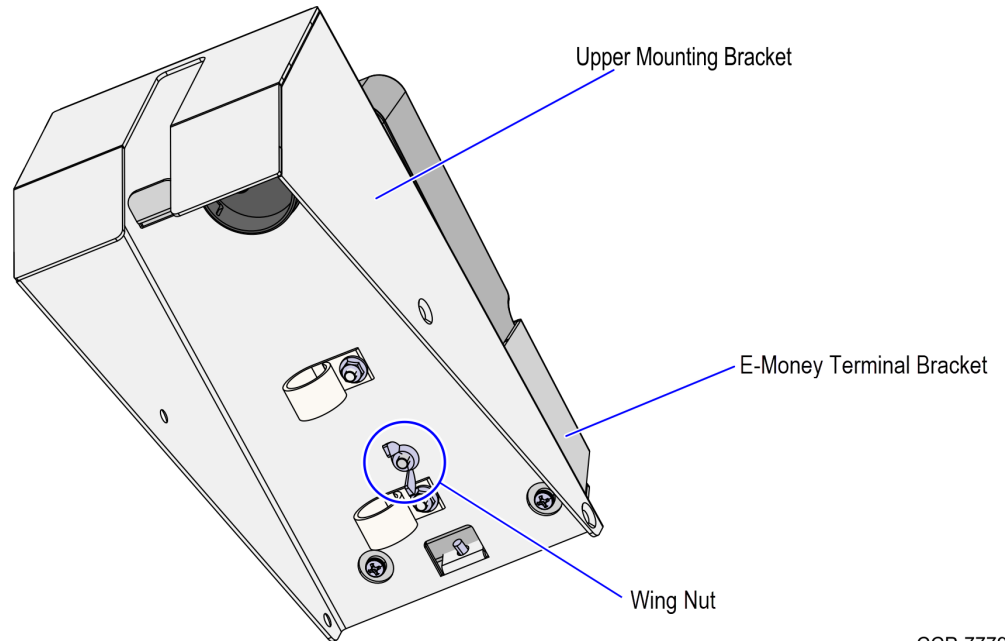
- c. Secure the E-Money Terminal on the Upper Mounting Bracket using two (2) M4 pan head screws.



CCP-77789



Note: To remove the E-Money Terminal Bracket from the outside, remove the wing nut located inside the Upper Mounting Bracket, as shown in the image below.

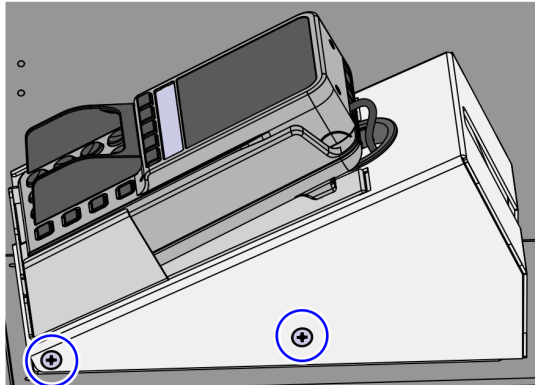


CCP-77798

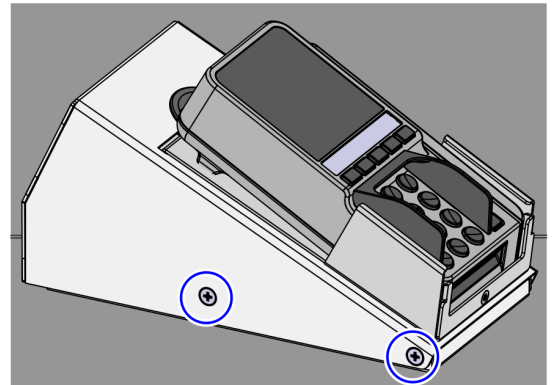
3. Route the E-Money Terminal cables. For more information, refer to [Routing E-Money Terminal Cables](#) on page 7.

4. Secure the Upper Mount to the Lower Mounting bracket using four (4) screws.

Left Side



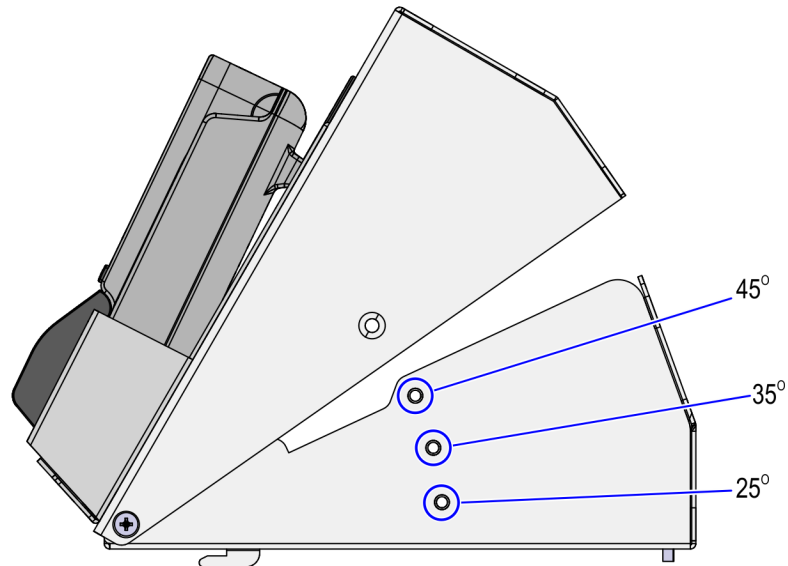
Right Side



CCP-77791

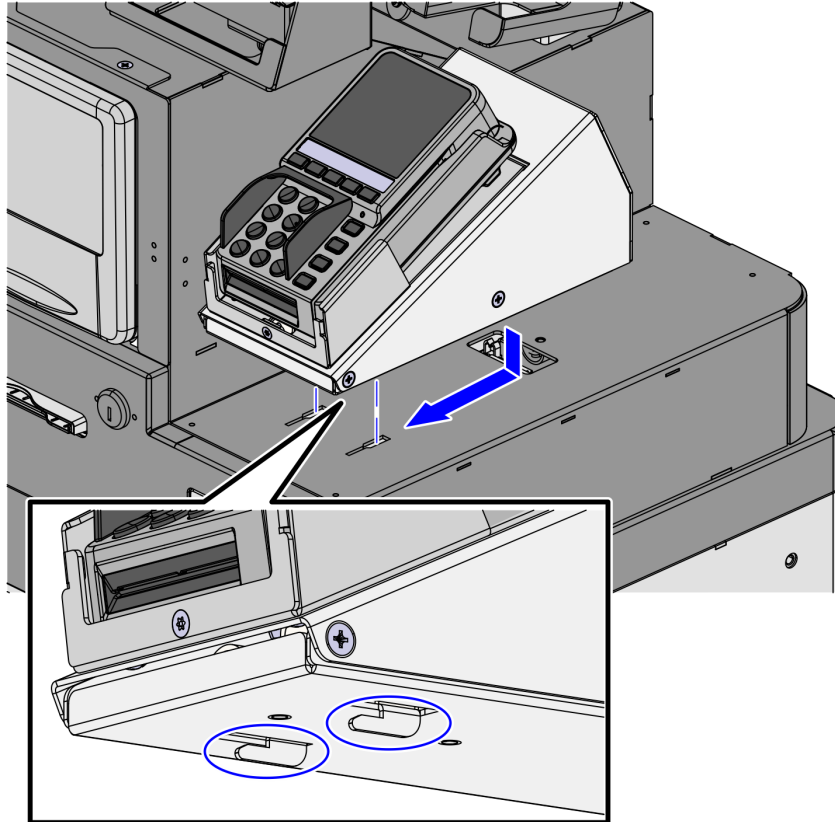


Note: The angle of the Upper Mount can be adjusted by aligning and securing the two (2) rear screw slots to any of the three (3) screw slots on the Lower Mounting Bracket using two (2) screws, as shown in the image below.



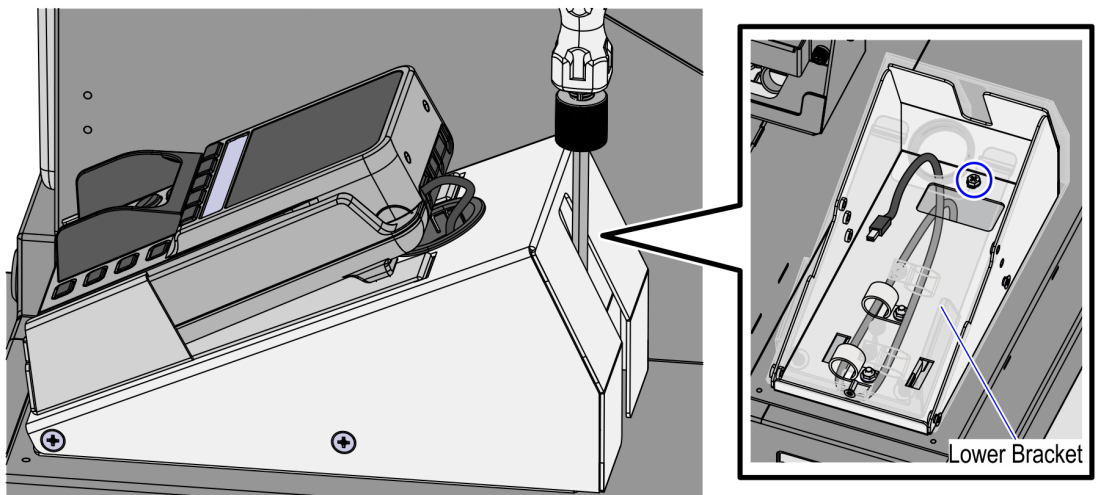
CCP-77792

5. Mount the E-Money Terminal assembly to the SelfServ Checkout unit by doing the following:
 - a. Mount the hooks of the E-Money Terminal assembly to the SelfServ Checkout Upper Enclosure to lock in place.



CCP-77799

- b. Secure the E-Money Terminal assembly using a screw, as shown in the image below.

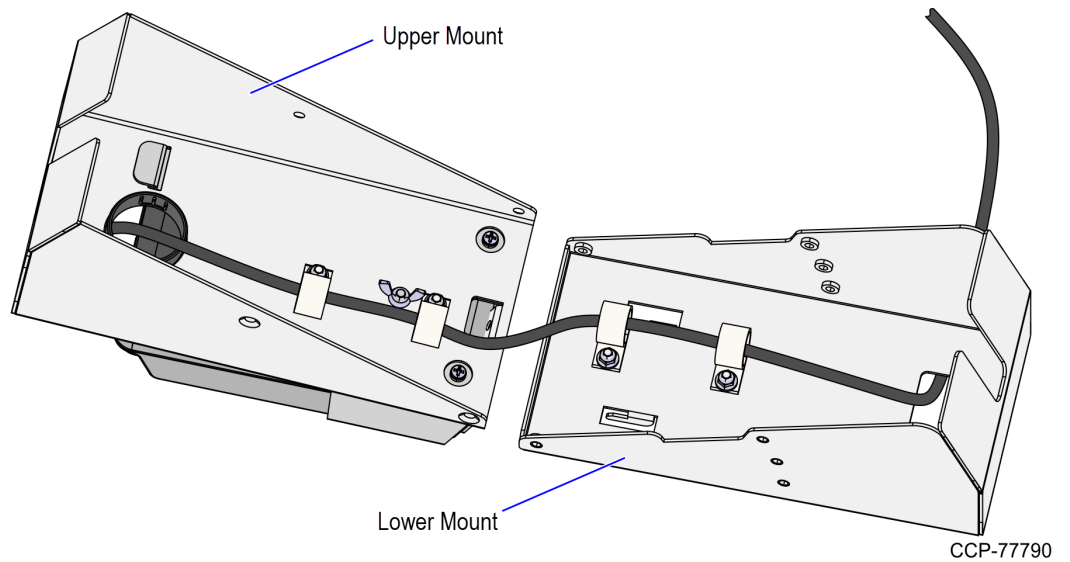


CCP-77793

Routing E-Money Terminal Cables

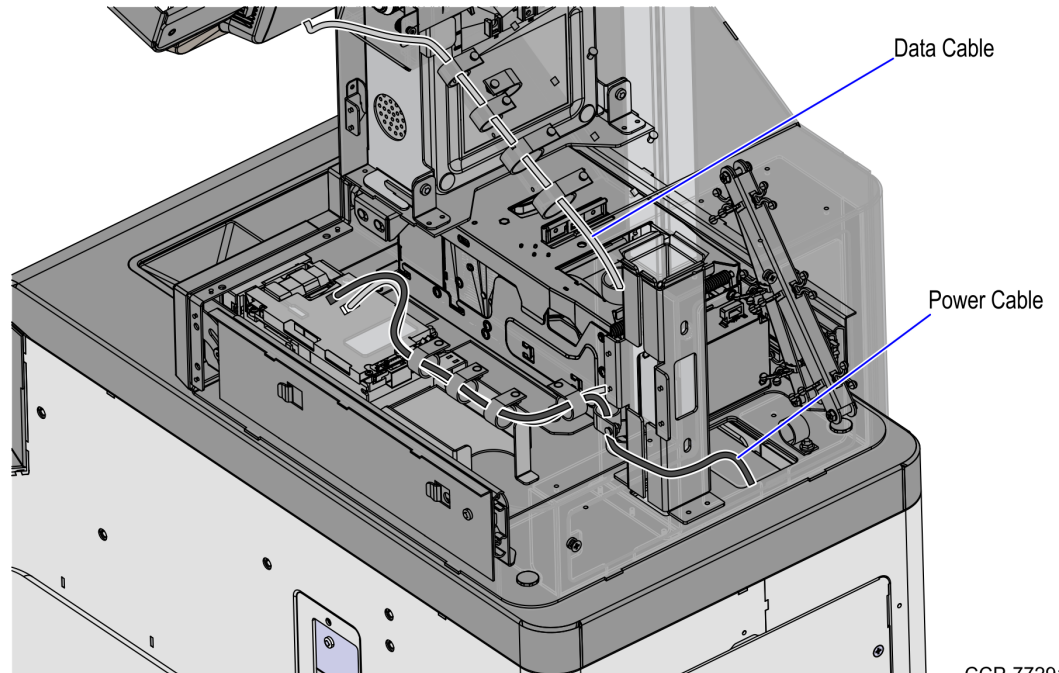
To route the E-Money Terminal cables in the R6-Japan unit, follow these steps:

1. Do the following:
 - a. Route the cables through the hole on the Upper Mounting Bracket.
 - b. Route the cables through the P-Loops on both Upper and Lower Mounting Brackets.
 - c. Continue routing the cables through the hole on the Lower Mounting Bracket.



2. Route the cables through the cable access hole on the Upper Enclosure.

3. Do the following:
 - a. Route the power cable from the Upper Enclosure down to the Lower Cabinet through the P-loops.
 - b. Route the data cable from the Upper Enclosure up to the NCR Terminal Display through the P-loops.



CCP-77291



Note: Ensure that there is enough cable slack to avoid cables from being stretched during installation or removal procedures.

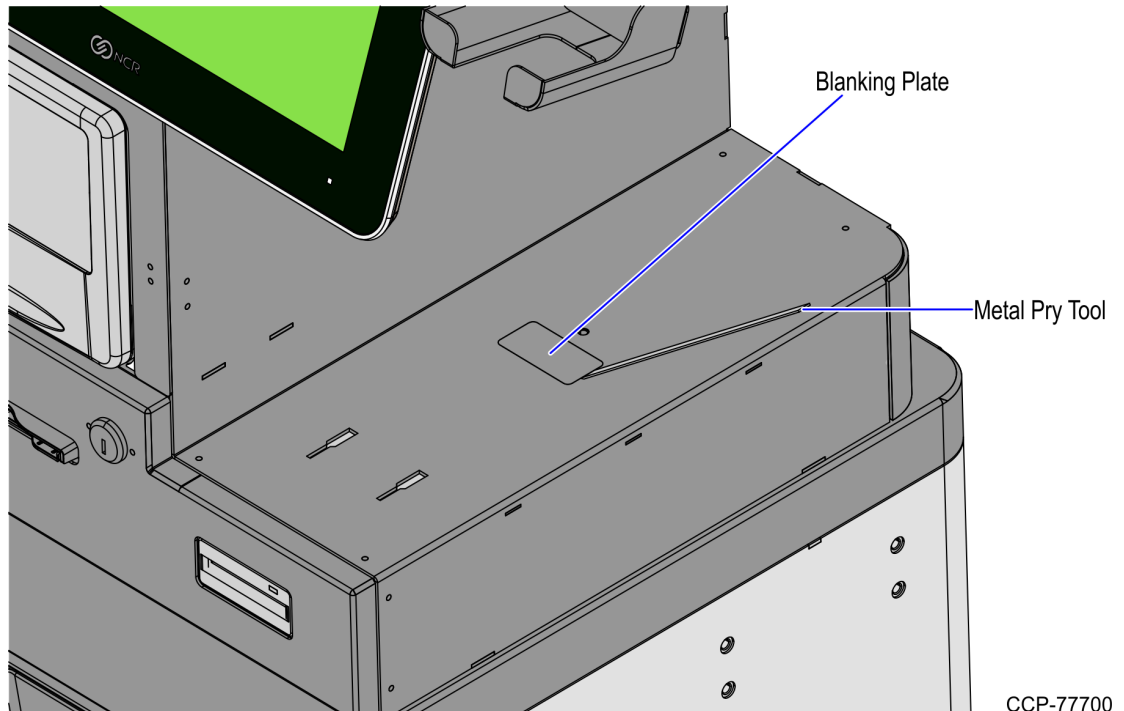
Removing E-Money Terminal Blanking Plate

To remove the E-Money Terminal Blanking Plate, follow these steps:

1. Using a metal pry tool or a flat screwdriver, slowly remove the Blanking Plate by starting from the sides until the plate is completely detached.



Note: Use the pry tool with caution to avoid scratches on the paint.



2. Using a cloth or a cotton rag, clean the top surface with isopropyl alcohol to remove any adhesive residue.



Caution: Too much isopropyl alcohol can damage the surface paint of the unit.