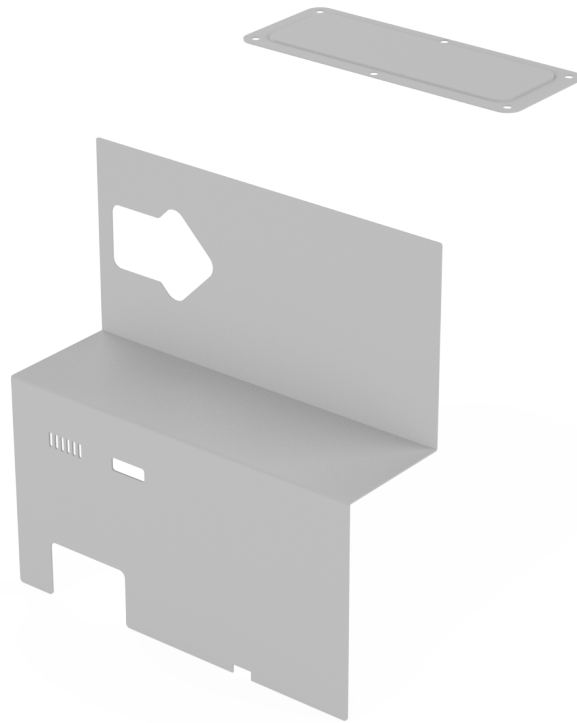


# Kit Instructions

No Note/Coin Recycler Front Panel and Top Panel  
Chute Blanking Plates



7707-K553  
Issue A



---

The product described in this document is a licensed product of NCR Corporation.

NCR is a registered trademark of NCR Corporation. NCR SelfServ™ Checkout is a trademark of NCR Corporation in the United States and/or other countries. Other product names mentioned in this publication may be trademarks or registered trademarks of their respective companies and are hereby acknowledged.

Where creation of derivative works, modifications or copies of this NCR copyrighted documentation is permitted under the terms and conditions of an agreement you have with NCR, NCR's copyright notice must be included.

It is the policy of NCR Corporation (NCR) to improve products as new technology, components, software, and firmware become available. NCR, therefore, reserves the right to change specifications without prior notice.

All features, functions, and operations described herein may not be marketed by NCR in all parts of the world. In some instances, photographs are of equipment prototypes. Therefore, before using this document, consult with your NCR representative or NCR office for information that is applicable and current.

To maintain the quality of our publications, we need your comments on the accuracy, clarity, organization, and value of this book. Please use the link below to send your comments.

Email: [FD230036@ncr.com](mailto:FD230036@ncr.com)

Copyright © 2021  
By NCR Corporation  
864 Spring St. NW  
Atlanta, GA 30308  
United States  
All Rights Reserved

---

## Revision Record

Issue	Date	Remarks
A	Aug 2021	First Issue



---

# No Note/Coin Recycler Front Panel and Top Panel Chute Blanking Plates

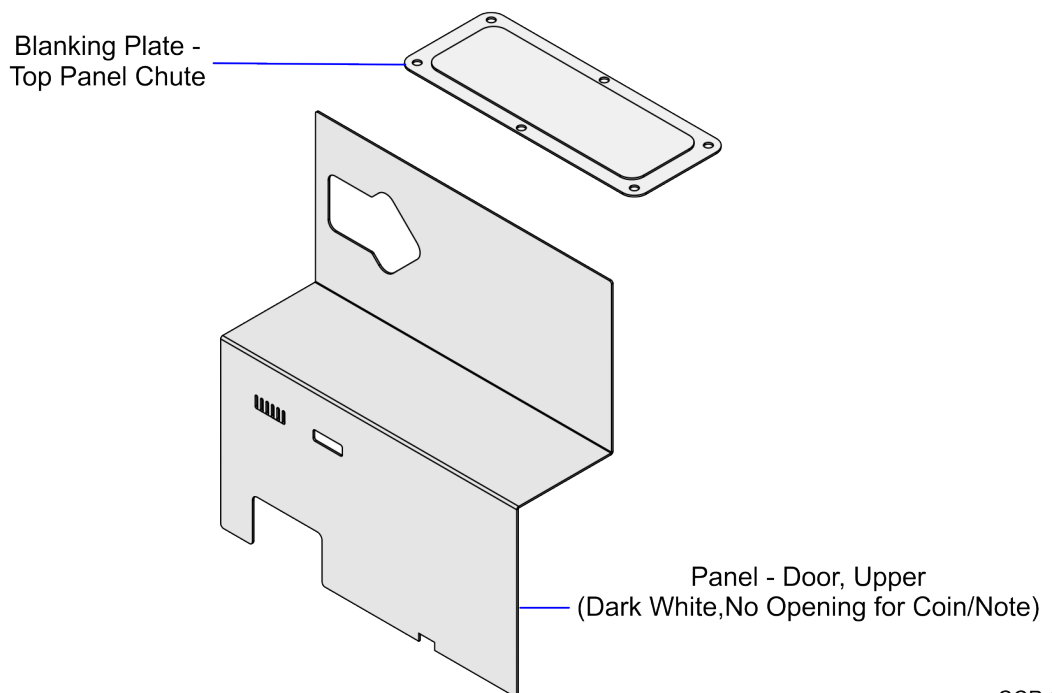
---

This publication provides procedures for installing No Note/Coin Recycler Front Panel and Top Panel Chute Blanking Plates on an NCR SelfServ™ Checkout (7707) unit.



**Note:** The 7707-K553 No Note/Coin Recycler Front Panel and Top Panel Chute Blanking Plates is **only intended for units with Bagwell configurations.**

## Kit Contents



CCP-81021

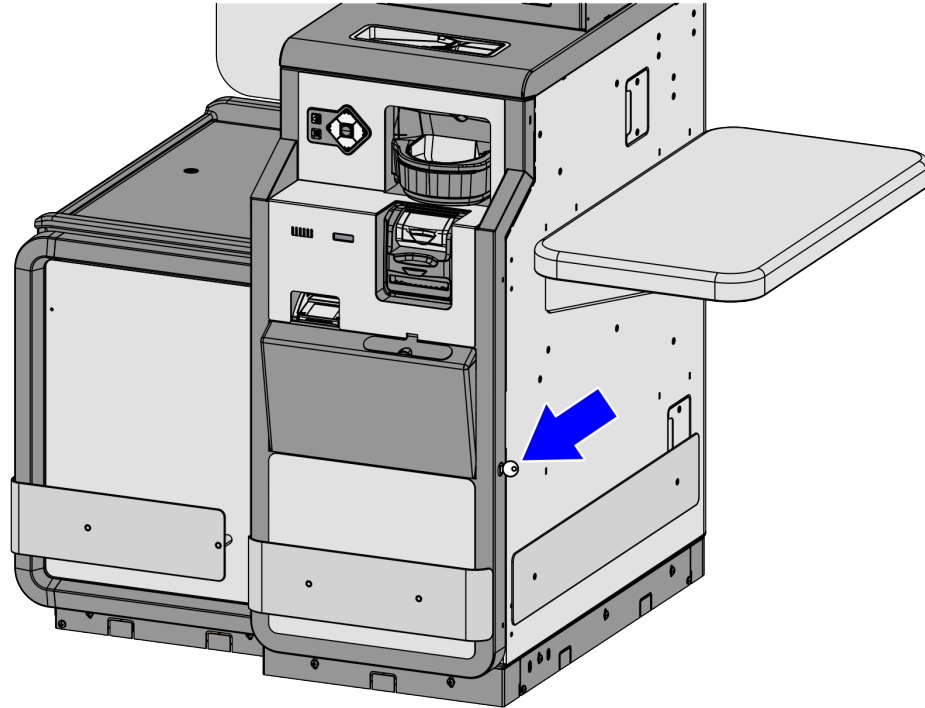
Part Number	Description
497-0530871	7707-K553 Kit, No Note/Coin Recycler Blanking Plates
497-0530872	Panel - Door, Upper (Dark White, No Opening for Coin/Note)
497-0530873	Blanking Plate - Top Panel Chute
009-0007087	Serrated Nut - Self Locking (M4, 4.2) (18 pcs)
* 497-0423108	Instructions - Kit (Reference Sheet)

\* Items marked with an asterisk are not called out on the image.

## Installation Procedures

To install the No Note/Coin Recycler Front Panel and Top Panel Chute Blanking Plates, follow these steps:

1. Shut down the NCR SelfServ™ Checkout (7707) R6-Japan software system.
2. Unlock and open the NCR SelfServ Checkout Cabinet Door, using a key.



CCP-81027

3. Remove the following devices:
  - [Removing Coin Recycler \(Glory RT-375\)](#) on the facing page.
  - [Removing Note Recycler \(Glory RAD-375\)](#) on page 4.
4. Disconnect the cables from the Note and Coin Recyclers. For more information, refer to [Removing Cables](#) on page 6.
5. Remove the existing Coin Recycler Chute. For more information, refer to [Removing Coin Recycler Chute](#) on page 8.
6. Install the new No Note Recycler Front Panel. For more information, refer to [Installing No Note Recycler Front Panel](#) on page 10.
7. Install the new Coin Recycler Chute Blanking Plate. For more information, refer to [Installing Top Panel Chute Blanking Plate](#) on page 11.
8. Close and lock the NCR SelfServ Checkout Cabinet Door.

## Removing Coin Recycler (Glory RT-375)

To remove the Coin Recycler, follow these steps:

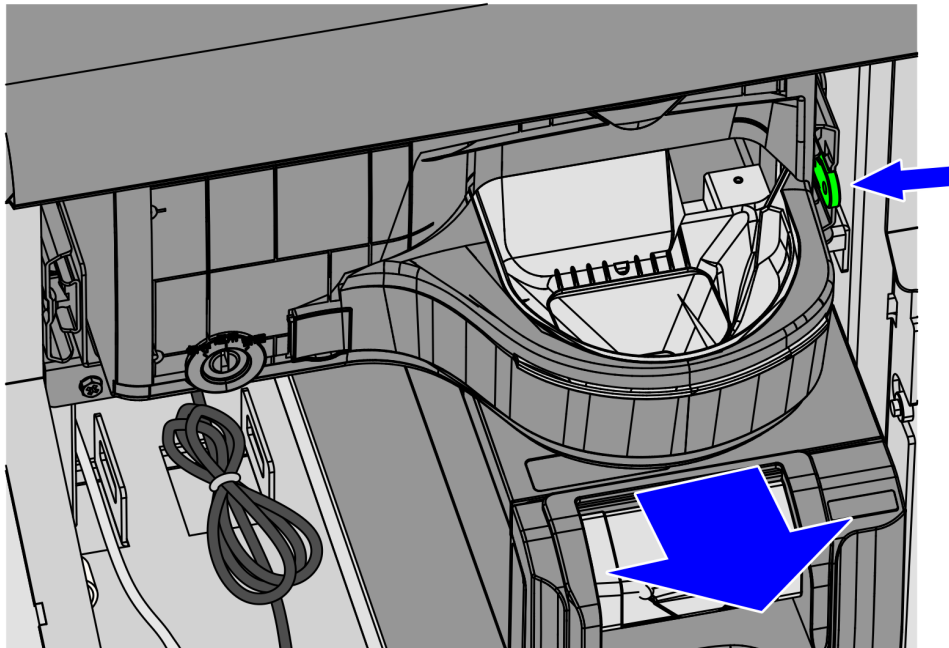
1. Push the green latch toward the Coin Recycler, and then rack out the device from of the cabinet.



**Note:** Use a flat surface with an approximate height of 68 cm and place it up to 22 cm from the edge of the Cabinet.



**Caution:** For safety reasons, NCR recommends placing the Coin Recycler on a flat surface to hold the weight. The Coin Recycler (Glory RT-375) weighs approximately 22 kgs.

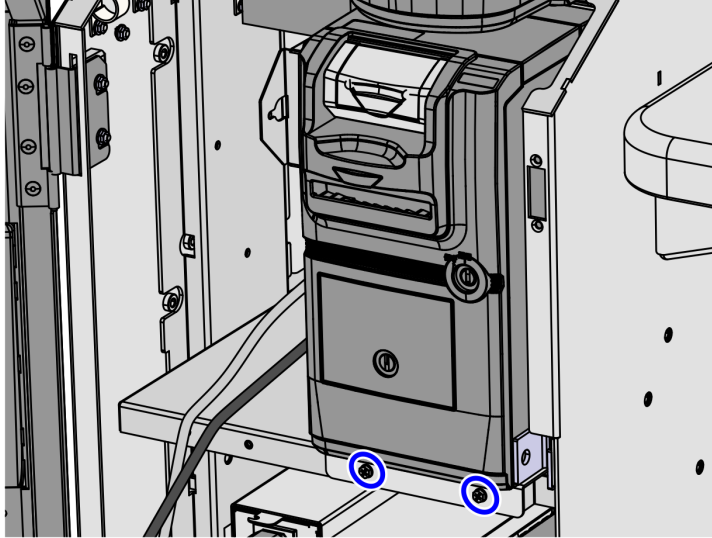


CCP-73516

## Removing Note Recycler (Glory RAD-375)

To remove the Note Recycler (Glory RAD-375), follow these steps:

1. Remove two screws securing the Note Recycler (Glory RAD-375) to the Note Recycler bracket as shown in the image below.



CCP-74744

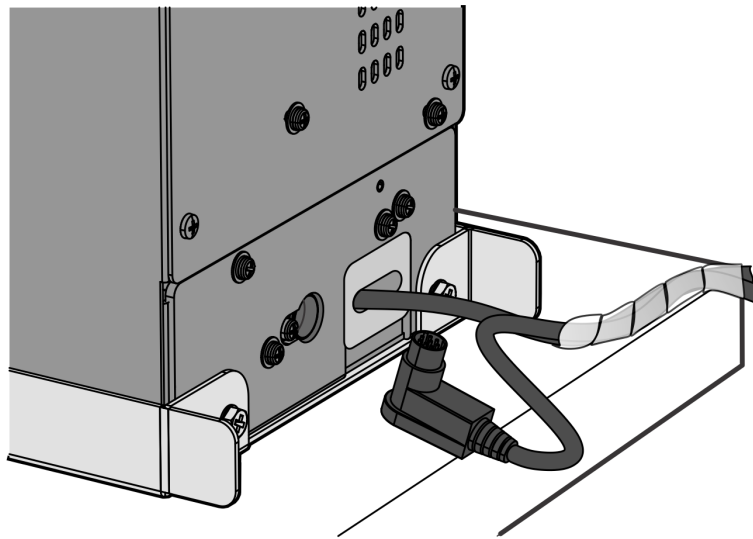
2. Rack out the Note Recycler from the cabinet as shown in the image below.



**Note:** Use a flat surface with an approximate height of 40 cm and place it up to 13 cm from the edge of the Cabinet.



**Caution:** For safety reasons, NCR recommends placing the Note Recycler on a flat surface to hold the weight. The Note Recycler (Glory RAD-375) weighs approximately 20 kgs.

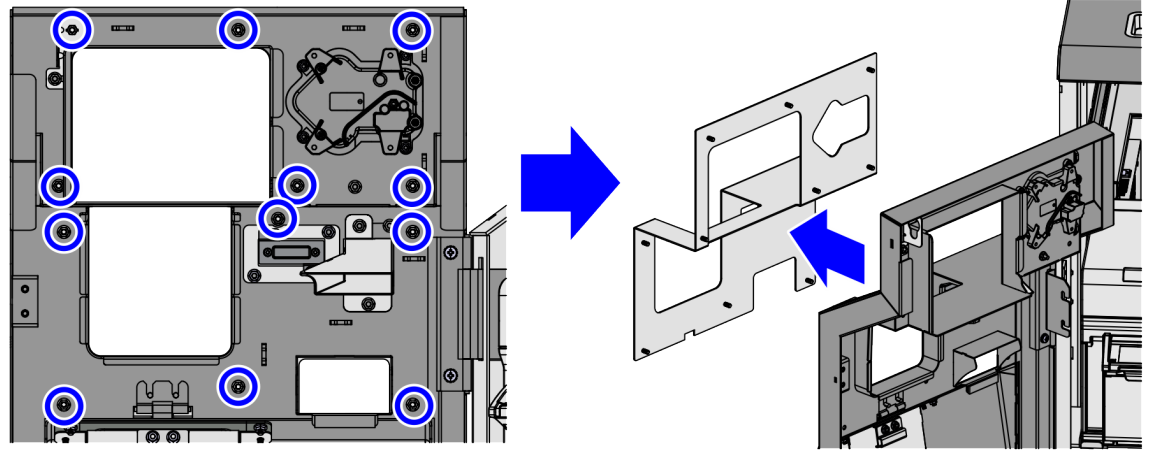


CCP-74749



## Removing Front Panel

To detach the Front Panel, remove the twelve (12) serrated nuts, as shown in the image below.



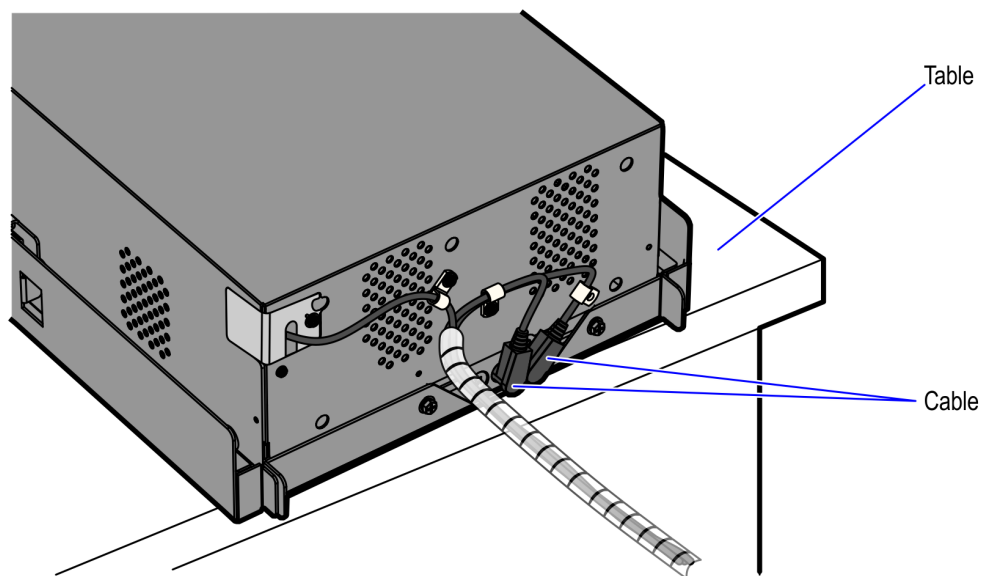
CCP-81014

## Removing Cables

To remove the cables, follow these steps:

1. Disconnect cables from the back of the Coin Recycler (Glory RT-375). Refer to the table below for the corresponding locations of the connectors.

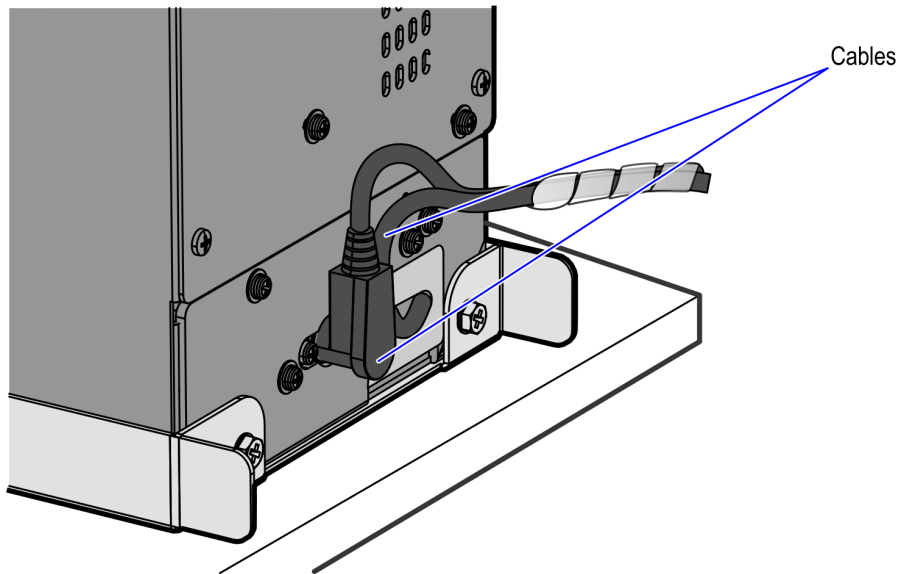
Source (Note Recycler)	Destination Connection (Location)
Coin Recycler (Glory RT-375)	24V, 600W DC Power Supply
Coin Recycler (Glory RT-375)	Note Recycler (Glory RAD-375)
Coin Recycler (Glory RT-375)	KIO Board Port1 (RS232/A)



CCP-74745

2. Disconnect the cables from the Note Recycler (Glory RAD-375). Refer to the table below for the corresponding locations of the connectors.

Source (Note Recycler)	Destination Connection (Location)
Note Recycler (Glory RAD-375)	24V, 600W DC Power Supply
Note Recycler (Glory RAD-375)	Coin Recycler (Glory RT-375)

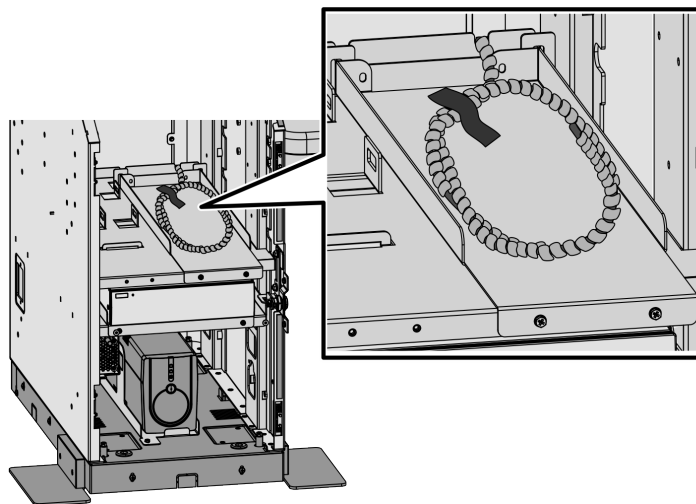


CCP-74748

3. Secure the disconnected cables by taping them to their corresponding shelves.



**Note:** For the purpose of illustration only, the image below shows the Note Recycler (Glory RAD-375) cable secured on its shelf.

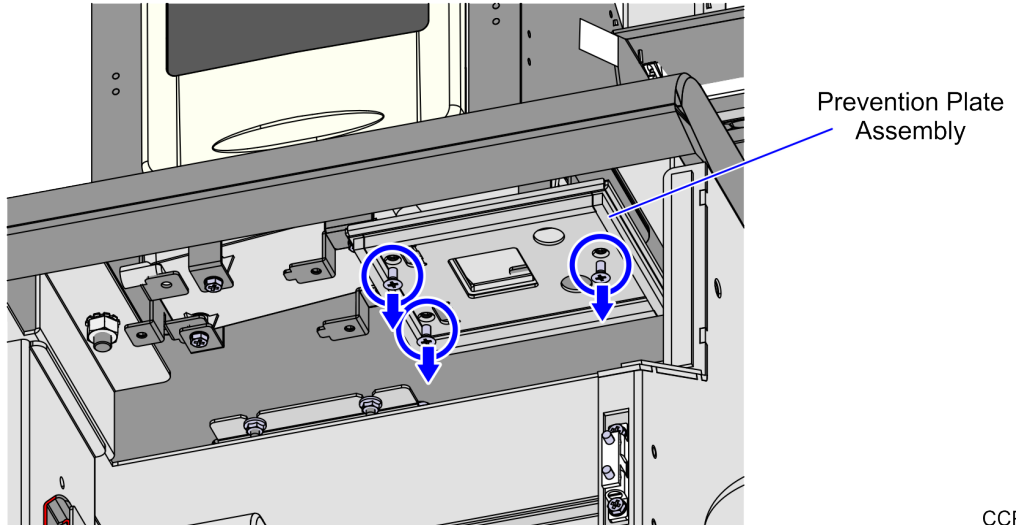


CCP-81039

## Removing Coin Recycler Chute

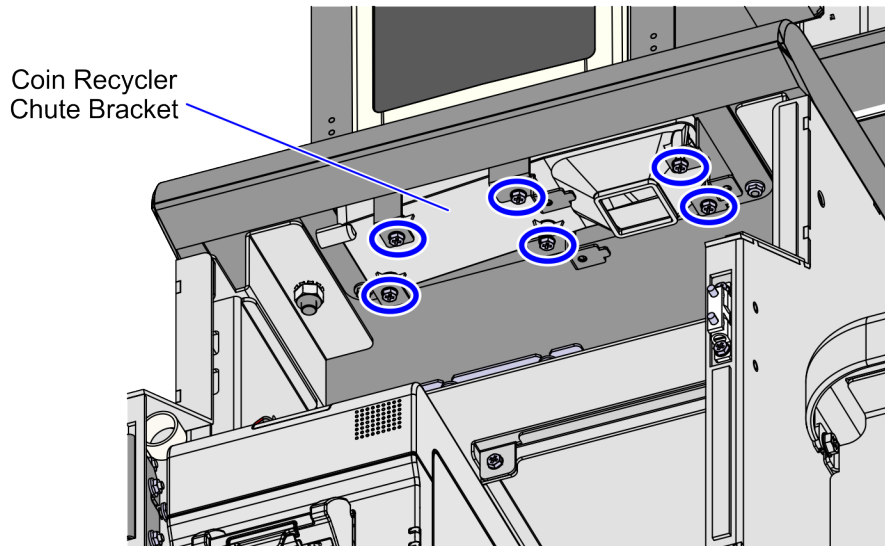
To remove the existing Coin Recycler Chute, follow these steps:

1. Remove three (3) screws to detach the Prevention Plate Assembly from the Coin Recycler Chute, as shown in the image below.



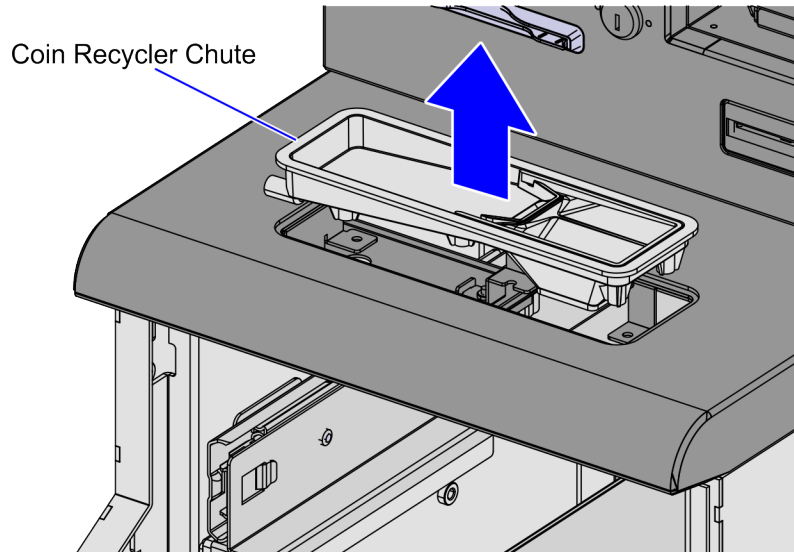
CCP-81015

2. Remove six (6) M4 screws to detach the Coin Recycler Chute from its bracket, as shown in the image below.



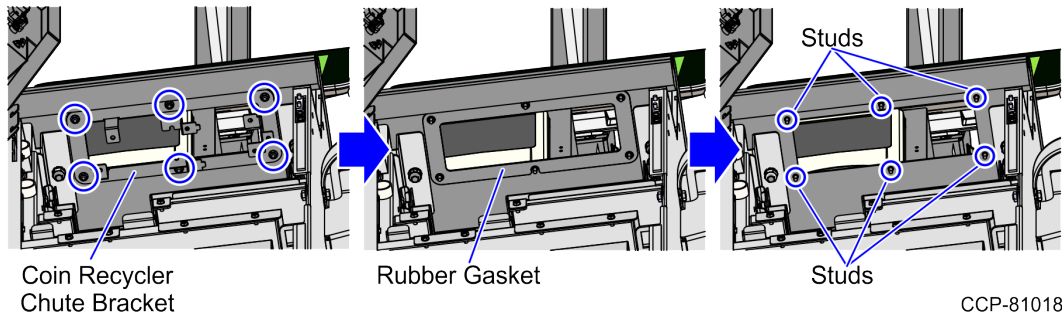
CCP-81016

3. Push the Coin Recycler Chute upward to remove it out of its slot.



CCP-81017

4. Remove six (6) nuts to detach the Coin Recycler Chute Bracket and Rubber Gasket from the six (6) studs, as shown in the image below.

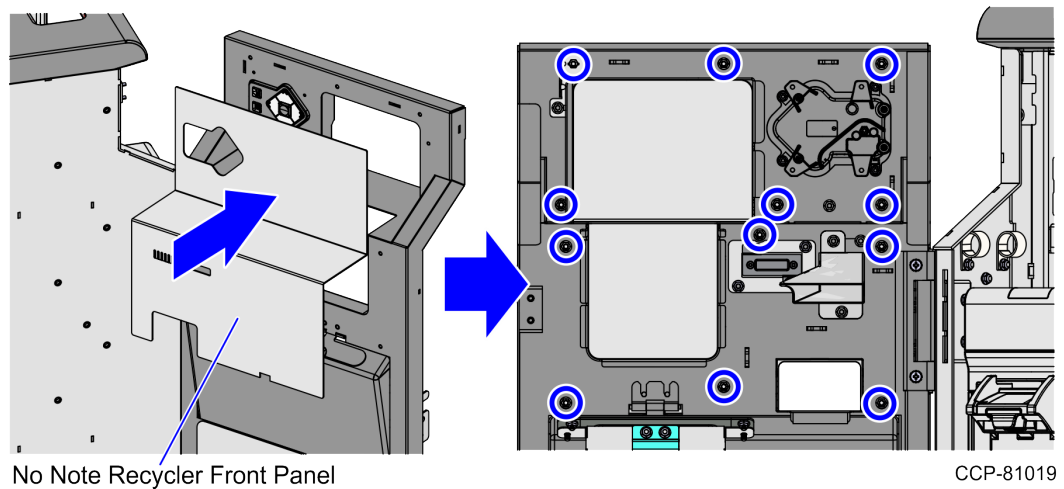


CCP-81018

## Installing No Note Recycler Front Panel

To install the No Note Recycler Front Panel, follow these steps:

1. Remove the existing Front Panel, if necessary. For more information, refer to [Removing Front Panel](#) on page 5.
2. Align and insert the the twelve (12) studs of the No Note Recycler Front Panel to the holes of the Cabinet Door.
3. Secure the No Note Recycler Front Panel to the Cabinet Door using twelve (12) serrated nuts, as shown in the image below.



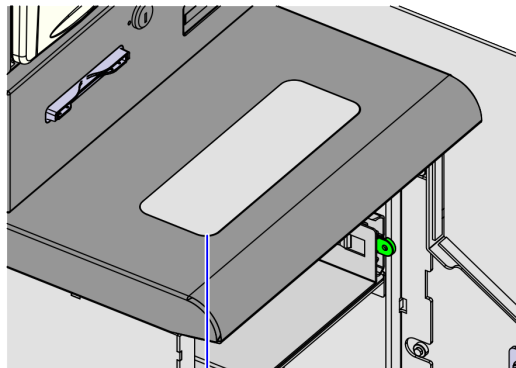
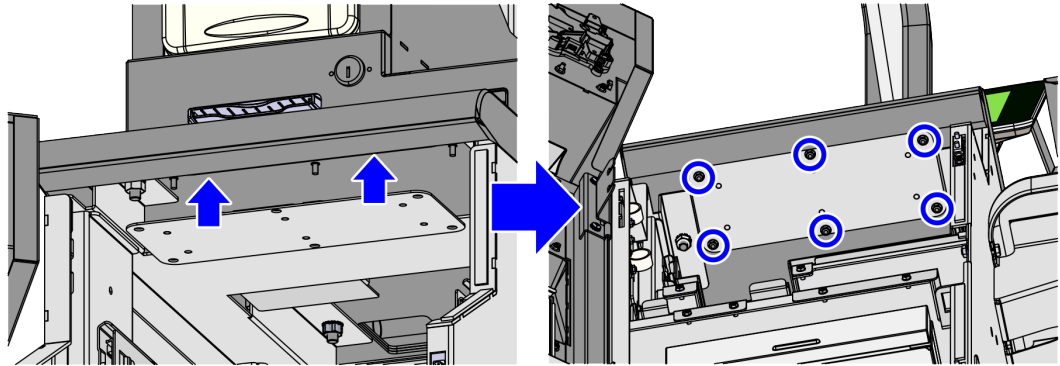
## Installing Top Panel Chute Blanking Plate

To install the Top Panel Chute Blanking Plate, follow these steps:

1. Align and insert the Top Panel Chute Blanking Plate onto the six (6) studs under the Coin Recycler Chute cutout.



**Note:** Ensure that the Blanking Plate is properly centered on the cutout.



Note: Gap all around the blank is about 0.5mm per side

CCP-81020

2. Secure the Top Panel Chute Blanking Plate to the Coin Recycler Chute cutout using six (6) serrated nuts.



**Caution:** Weld studs and press-in studs torque differ in value. Over-torquing leads the studs to break off. For more information on the recommended torque, refer to the table below.

Nut Size	Recommended Torque (in-lb)	Tolerance
M4	6.75	+/-2.50%
M8	22.5	+/-2.00%

