

Kit Instructions

Handheld Scanner Holster



7707-K261
Issue A



The product described in this document is a licensed product of NCR Corporation.

NCR is a registered trademark of NCR Corporation. NCR SelfServ™ Checkout is a trademark of NCR Corporation in the United States and/or other countries. Other product names mentioned in this publication may be trademarks or registered trademarks of their respective companies and are hereby acknowledged.

Where creation of derivative works, modifications or copies of this NCR copyrighted documentation is permitted under the terms and conditions of an agreement you have with NCR, NCR's copyright notice must be included.

It is the policy of NCR Corporation (NCR) to improve products as new technology, components, software, and firmware become available. NCR, therefore, reserves the right to change specifications without prior notice.

All features, functions, and operations described herein may not be marketed by NCR in all parts of the world. In some instances, photographs are of equipment prototypes. Therefore, before using this document, consult with your NCR representative or NCR office for information that is applicable and current.

Copyright © 2022
By NCR Corporation
864 Spring St. NW
Atlanta, GA 30308
United States
All Rights Reserved

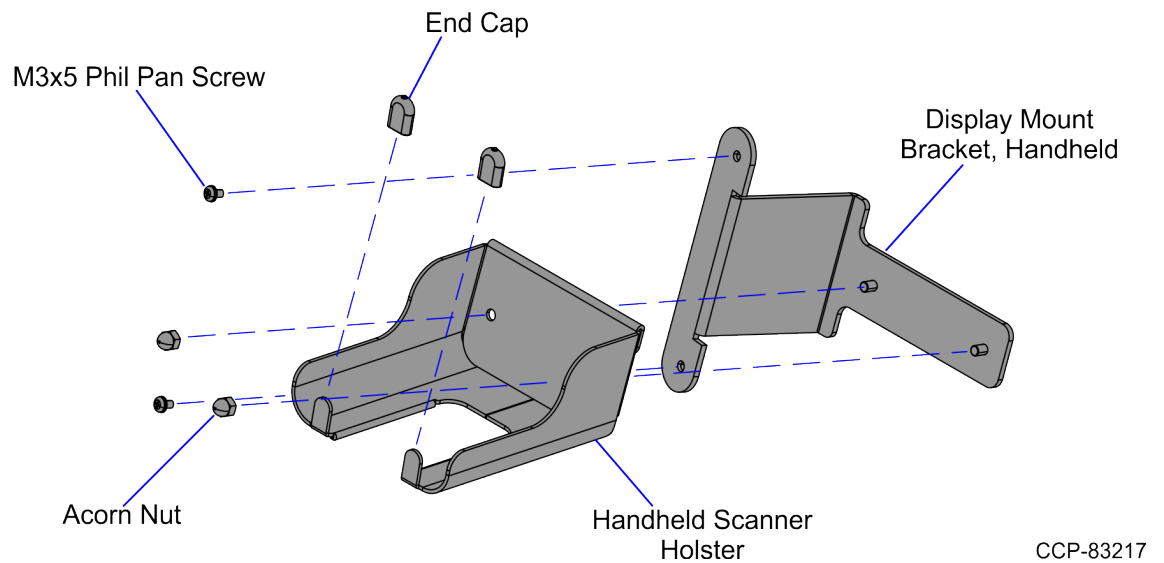
Revision Record

Issue	Date	Remarks
A	Apr 2022	First Issue

Handheld Scanner Holster

The Handheld Scanner Holster holds the Handheld Scanner. It is attached to a bracket, which can be installed on either side of the Terminal Display depending on the orientation of the NCR SelfServ™ Checkout (7707) unit. This publication provides procedures for installing a Handheld Scanner Holster on an NCR SelfServ™ Checkout (7707) unit.

Kit Contents




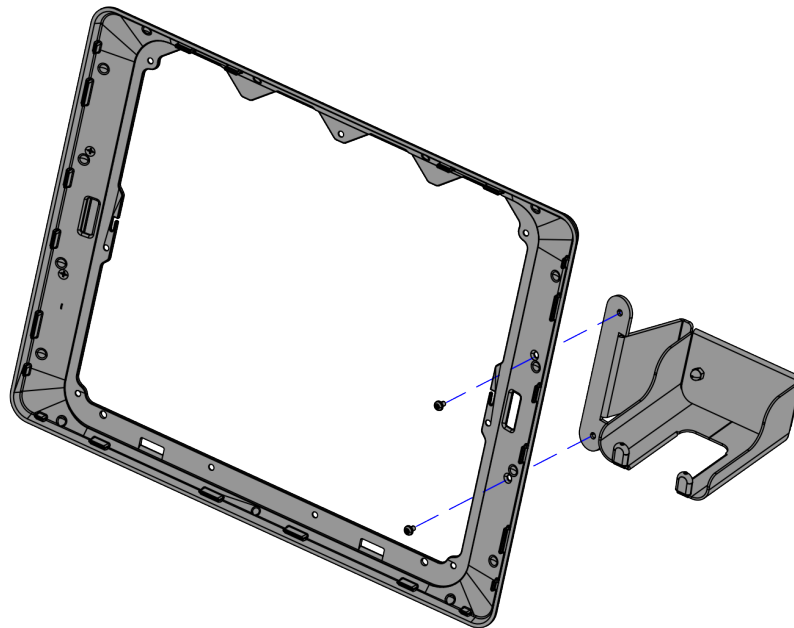
Part Number	Description
497-0532993	7707-K261 Handheld Scanner Holster Kit
006-8611658	Screw,M3 x 5, SEMS, PHIL, PAN, STL, Z (2 pcs)
006-8624472	Acorn Nut – M4 x 0.7 mm, 7 mm Width, 8 mm Height - Black Oxide Finish (2 pcs)
006-8628477	End Cap - Handheld Holster (2 pcs)
497-0520400	Bracket - Handheld, Display Mount
497-0531681	Holster, Scanner, Handheld
* 497-0423108	Instructions Kit (Reference Sheet)

* Items marked with an asterisk are not called out on the image.

Installation Procedures

To install the Handheld Scanner Bracket, follow these steps:

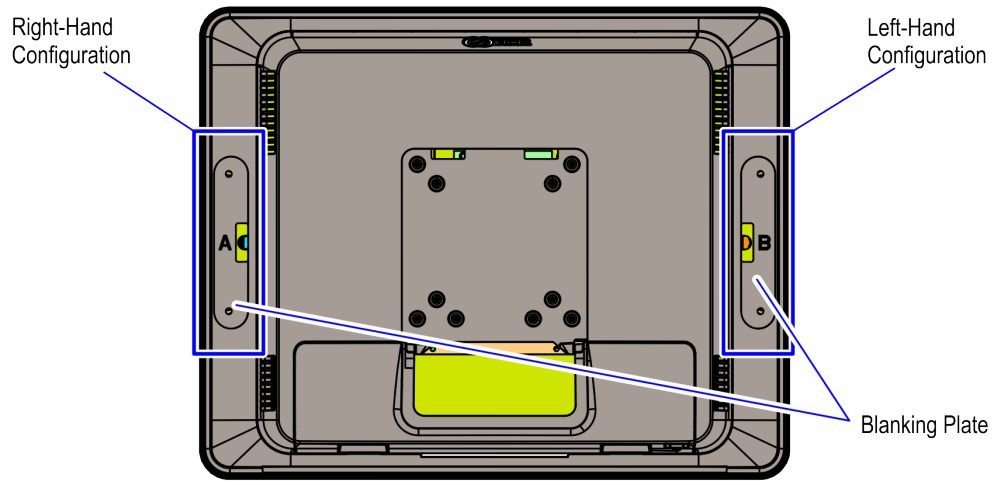
1. Remove the Terminal Display. For more information, refer to [Removing the Terminal Display](#) on page 5.
 2. Remove the Terminal Display Rear Cover. For more information, refer to [Removing the Terminal Display Rear Cover](#) on page 7.
 3. Do any of the following, if necessary:
 - Remove the Wireless Antenna Module. For more information, refer to [Removing the Wireless Antenna Module](#) on page 8.
-  **Note:** Both Semi-Self and Self-Checkout configurations of NCR SelfServ™ Checkout (7707) allows the 7702 Terminal Display to hold both the Wireless Card Antenna and the Handheld Scanner Bracket. Depending on the orientation of the unit, the two devices can be interchanged.
- Remove the existing scanner bracket assembly by removing the two (2) screws securing the scanner bracket to the Display Collar, as shown in the image below.



- For No-Handheld Scanner units, remove the Blanking Plate using a pry tool.

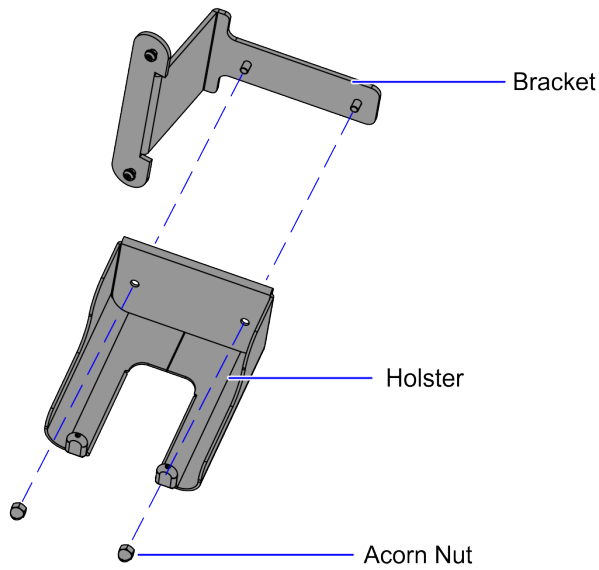


Note: Remove all adhesive residues from the Blanking Plate.



CCP-74811

4. Install the Handheld Scanner Bracket by doing the following:
 - a. Install the Holster to the bracket using two acorn nuts.

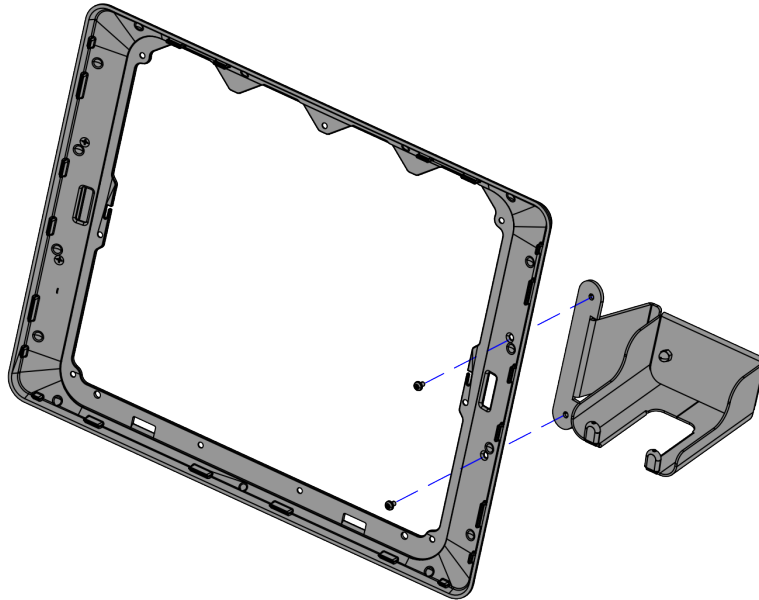


CCP-83218

- b. Attach the scanner bracket assembly to the Display Collar using two (2) screws, as shown in the image below.



Note: The scanner bracket assembly can be installed on either side of the Terminal Display. For the purpose of illustration only, the image below shows a Right-hand (RH) orientation.



CCP-83219

5. Install the Wireless Antenna Module on the other side of the Terminal Display, if necessary. For more information, refer to [Installing the Wireless Antenna Module](#) on page 12.
6. Install the Terminal Display Rear Cover. For more information, refer to [Installing the Terminal Display Rear Cover](#) on page 15.
7. Install the Terminal Display. For more information, refer to [Installing the NCR Terminal Display](#) on page 16.

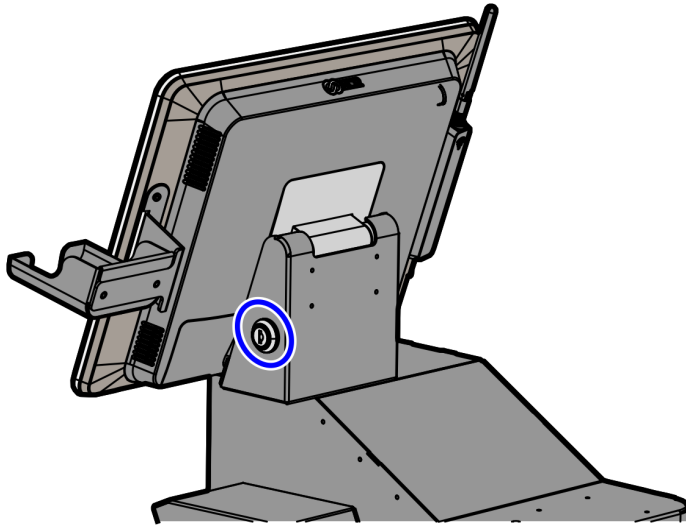
Removing the Terminal Display

To remove the NCR Terminal Display, follow these steps:



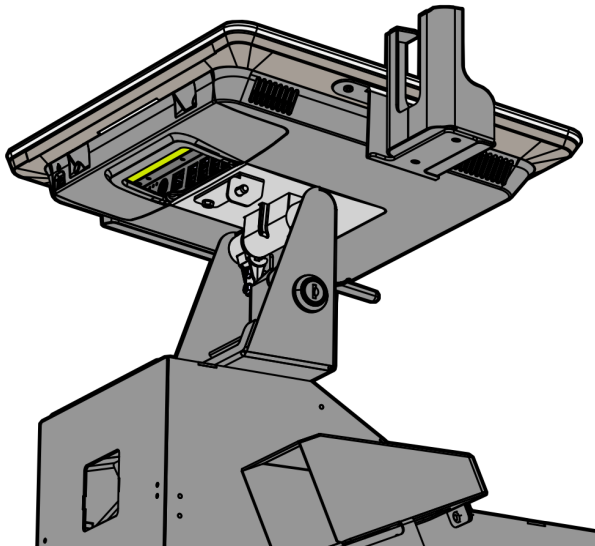
Note: For the purpose of illustration only, this procedure shows images using a 7702 Terminal Display.

1. Shut down the NCR Terminal Display software and hardware systems.
2. Unlock the Tower frame from the back panels using a key.



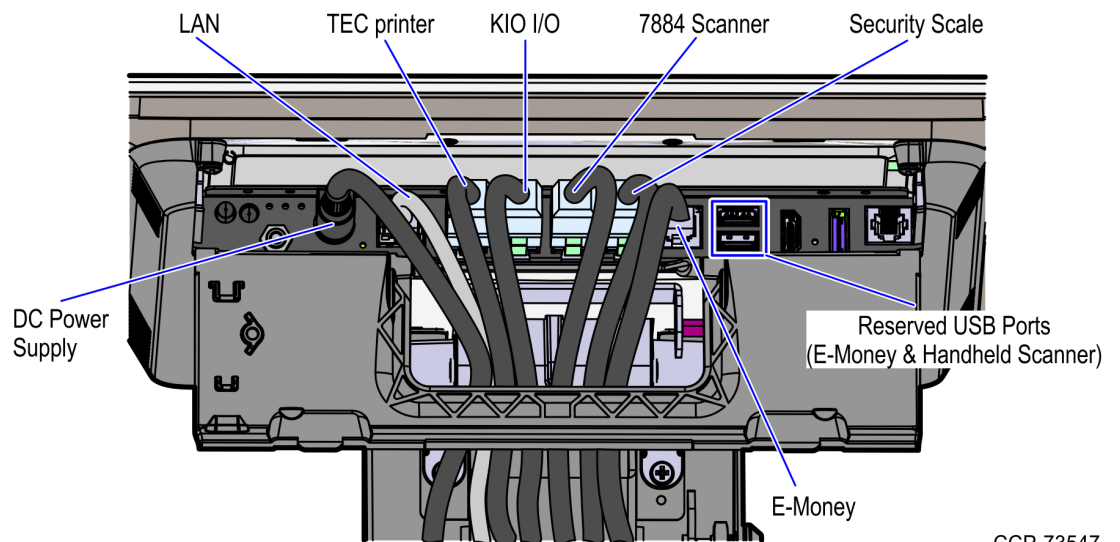
CCP-74703

3. Raise the Terminal Display.

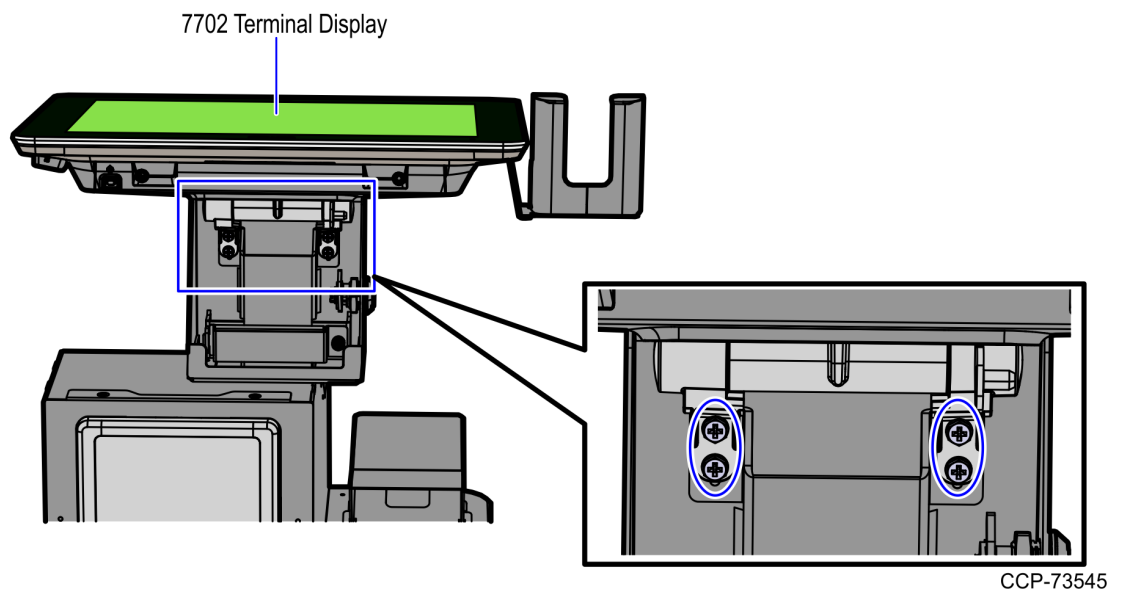


CCP-73448

4. Open the cable cover by pushing both ends as shown below.
5. Disconnect the cables from the terminal.



6. Remove six (6) screws to detach the Terminal Display from the Display Hinged Bracket, as shown in the image below.



7. Do the following:
 - a. Slide the Terminal Display to the back to disengage it from Upper Enclosure
 - b. Lift the Terminal Display away from the unit and place it on a flat surface with the back facing up.

Removing the Terminal Display Rear Cover

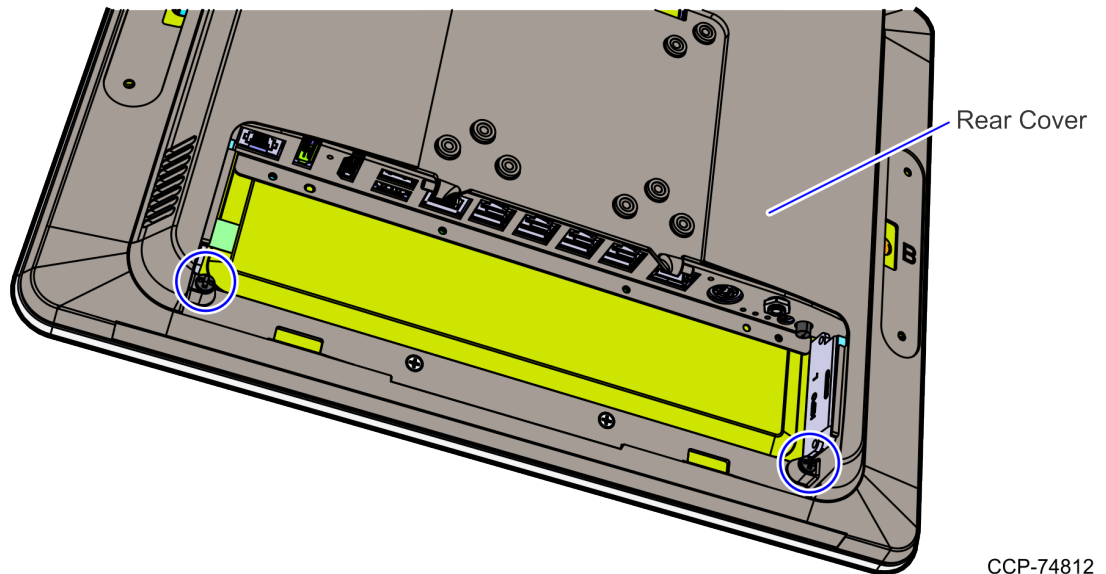
To remove the Rear Cover of the Terminal Display, follow these steps:

1. Remove the cable cover.



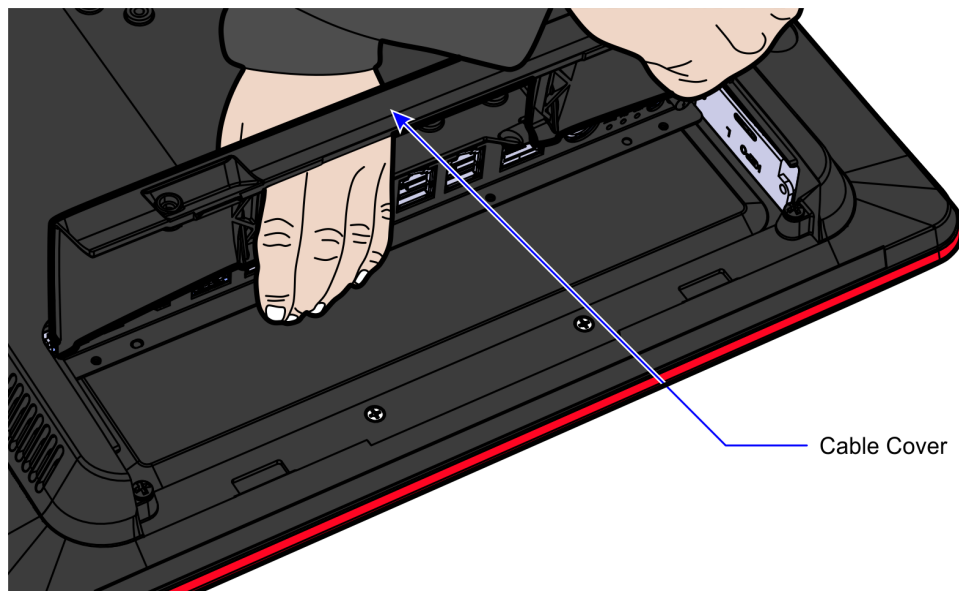
Note: Place the Terminal Display on a flat surface with the back facing up.

2. Remove the two (2) screws to detach the rear cover from the Terminal Display, as shown in the image below.



CCP-74812

3. Detach the rear cover.



CCP-72706

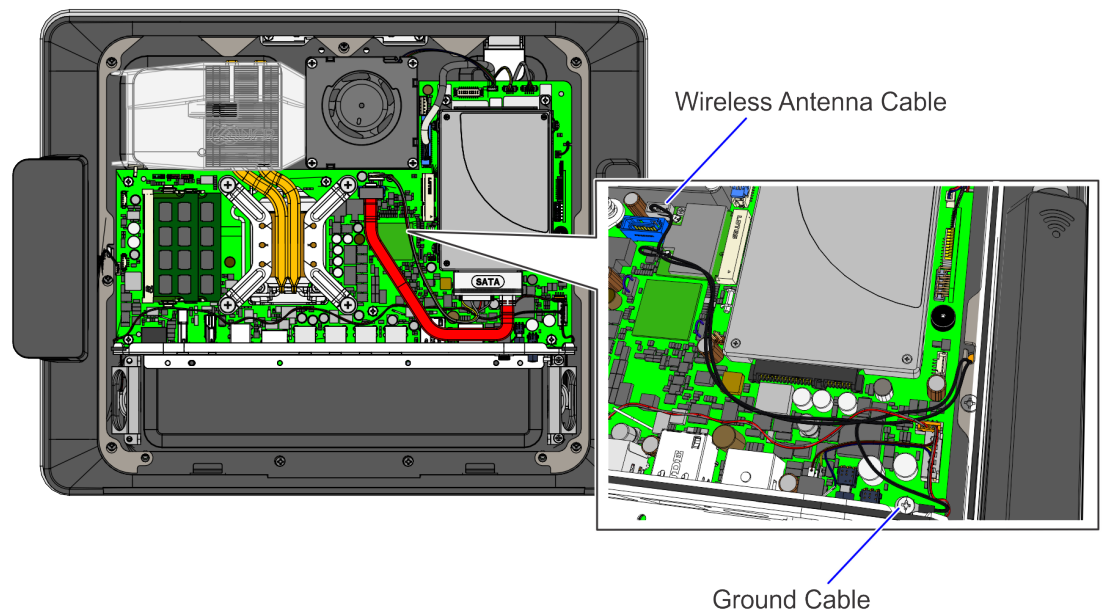
Removing the Wireless Antenna Module

To remove the Wireless Antenna Module, follow these steps:



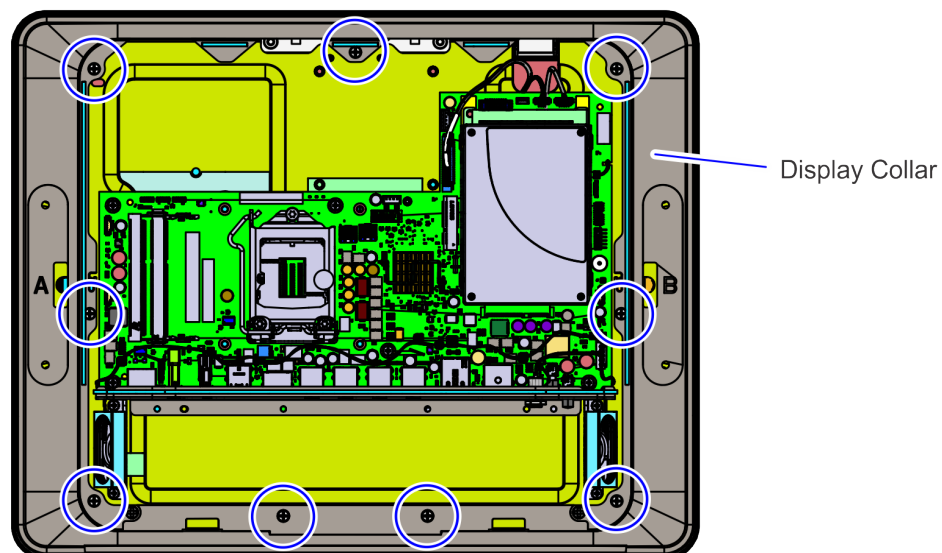
Note: For more information about the wireless card and antenna, refer to the [RealPOS XR7 \(7702\) POS User Documentation](#).

1. Remove the Terminal Display Rear Cover, if necessary. For more information, refer to [Removing the Terminal Display Rear Cover](#) on the previous page.
2. Disconnect the Ground and Wireless Antenna cables from the board, as shown in the image below.



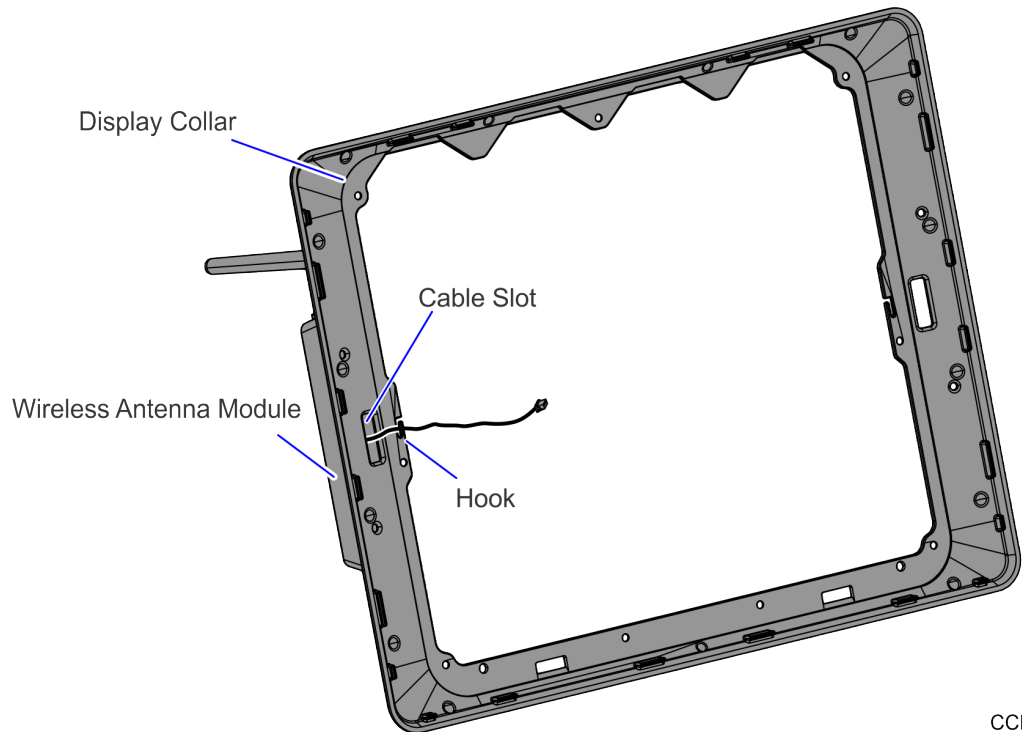
CCP-83220

3. Remove nine (9) screws to detach the Display Collar from Terminal Display, as shown in the image below.

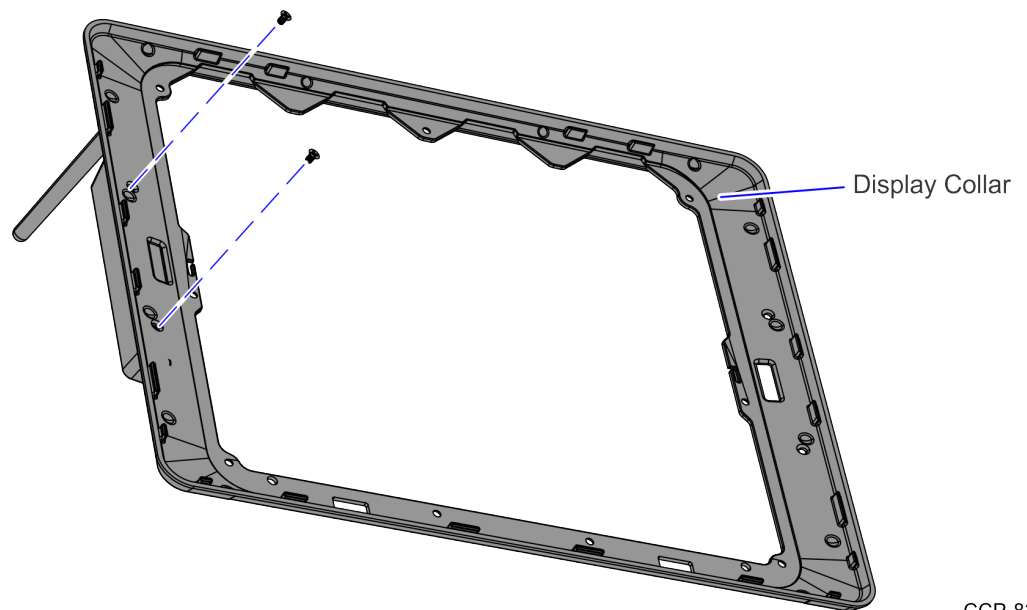


CCP-74809

4. At the back of the Display Collar, unhook the cable from the hook feature on the Display Collar, as shown in the image below.



5. Remove two (2) screws to detach the Wireless Antenna Module from the Display Collar, as shown in the image below.



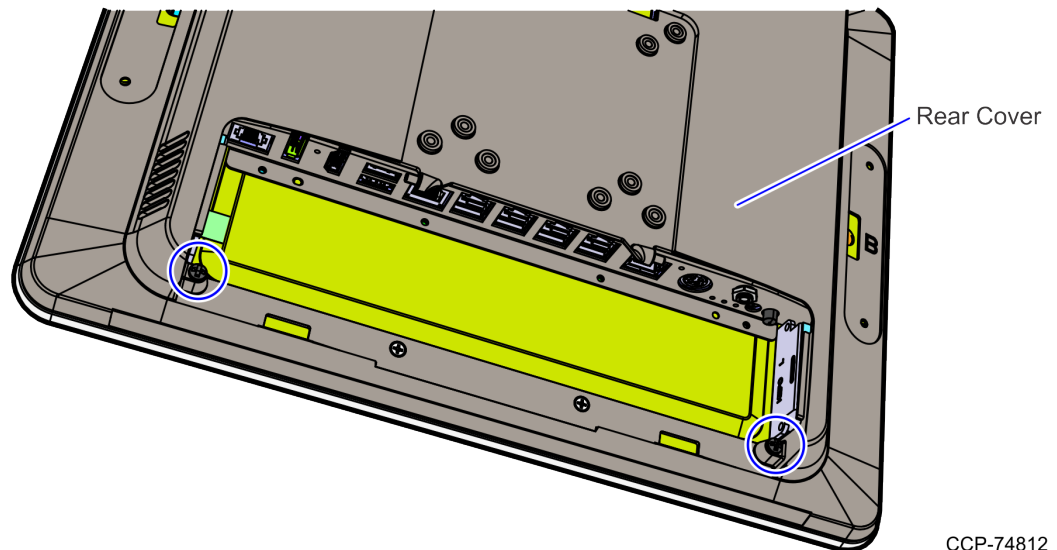
Removing the Handheld Scanner Bracket

To remove the handheld scanner bracket, follow these steps:



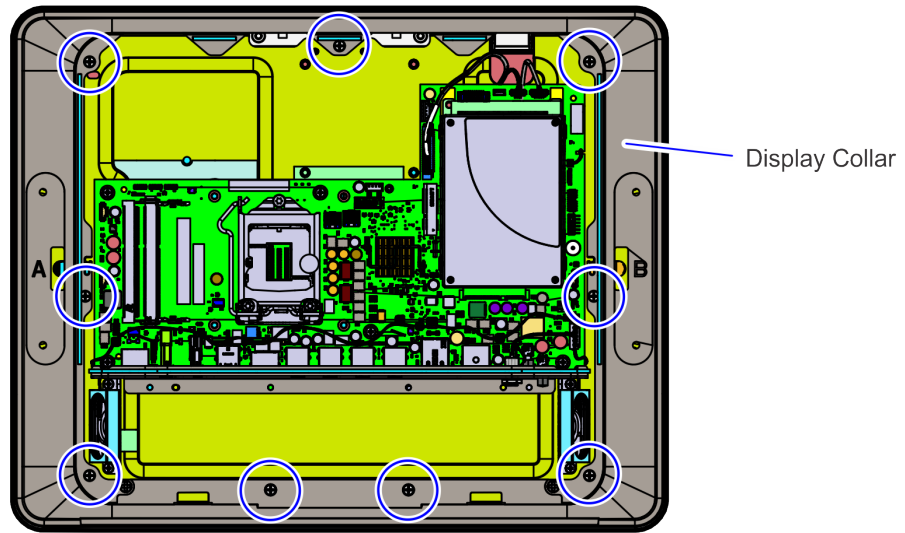
Note: The images in this procedure use the default orientation of the bracket.

1. Do the following:
 - a. Remove the handheld scanner from the bracket.
 - b. Remove the Terminal Display. For more information, refer to [Removing the Terminal Display](#) on page 5.
2. Place the Terminal Display on a flat surface with the back facing up.
3. Disassemble the rear cover by doing the following:
 - a. Remove the cable cover.
 - b. Remove the two (2) screws to detach the rear cover from the Terminal Display, as shown in the image below.



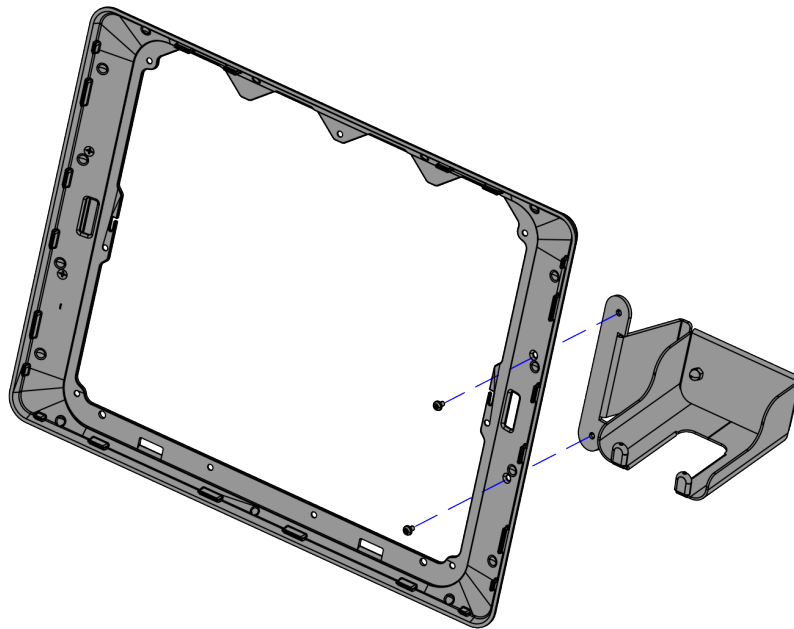
CCP-74812

- c. Remove the nine (9) screws to detach the Display Collar from the Terminal Display, as shown in the image below.



CCP-74809

- 4. Remove two (2) screws to detach the scanner bracket from the Display Collar, as shown in the image below.



CCP-83219

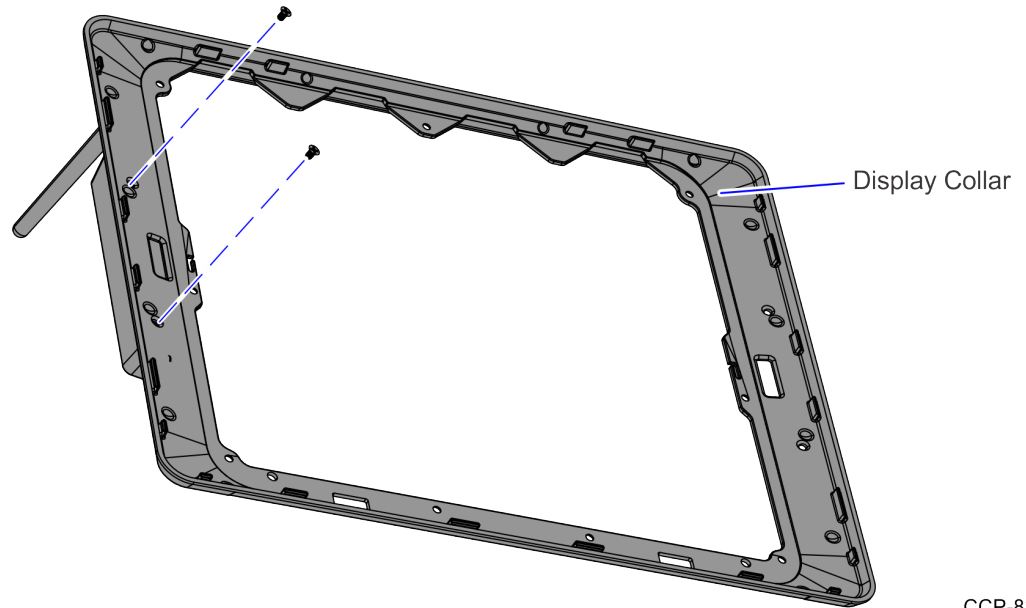
Installing the Wireless Antenna Module

To install the Wireless Antenna Module, follow these steps:



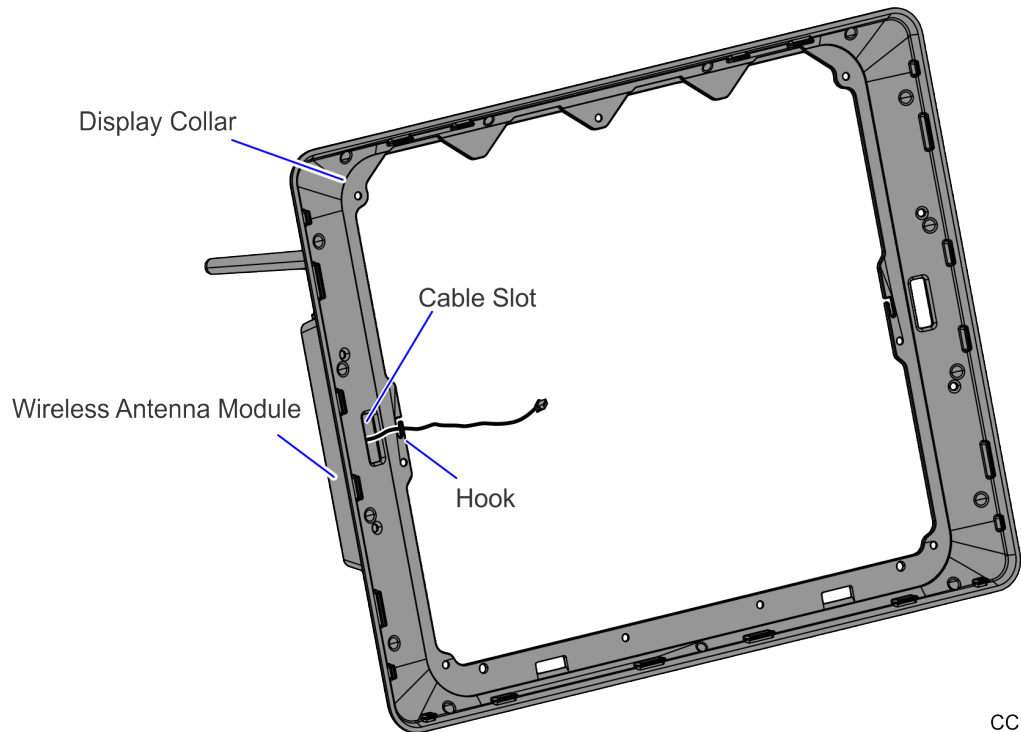
Note: For more information about the wireless card and antenna, refer to the [RealPOS XR7 \(7702\) POS User Documentation](#).

1. Secure the Wireless Antenna Module to the Display Collar using two (2) screws, as shown in the image below.



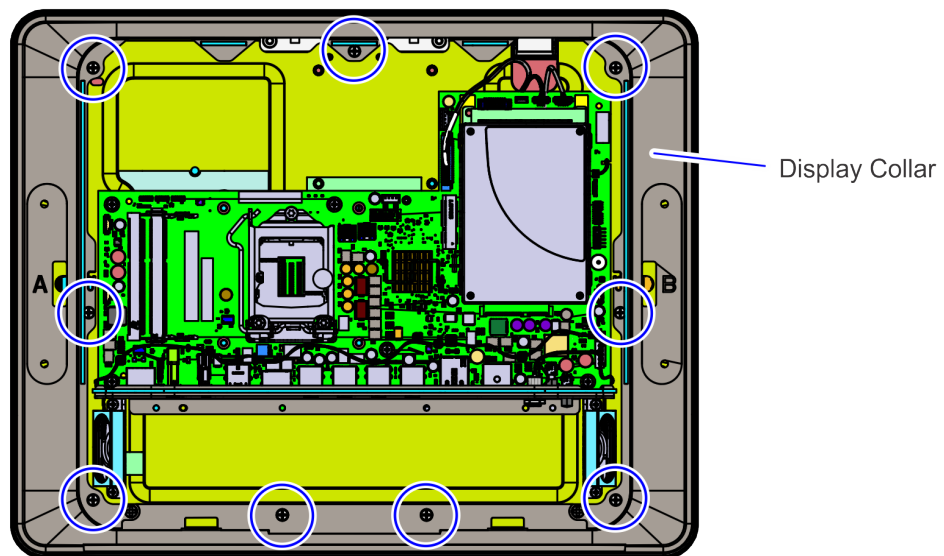
CCP-83222

2. Route the cables through the cable management feature on the Display Collar, as shown in the image below.



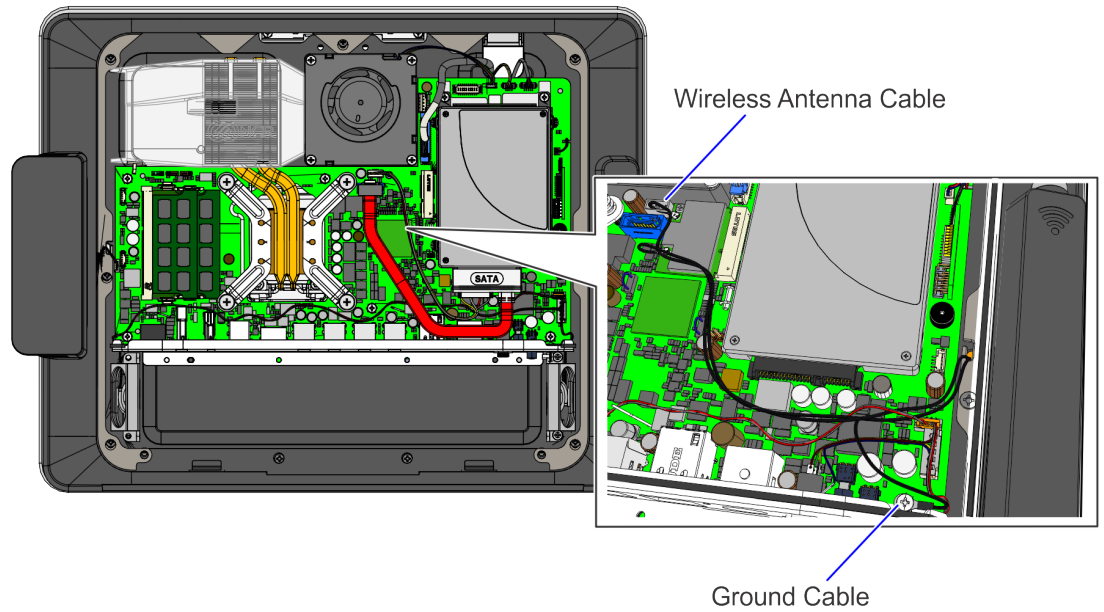
CCP-83221

3. Secure the Display Collar on the Terminal Display using nine (9) screws, as shown in the image below.



CCP-74809

4. Connect the Ground and Wireless Antenna cables to the board, as shown in the image below.



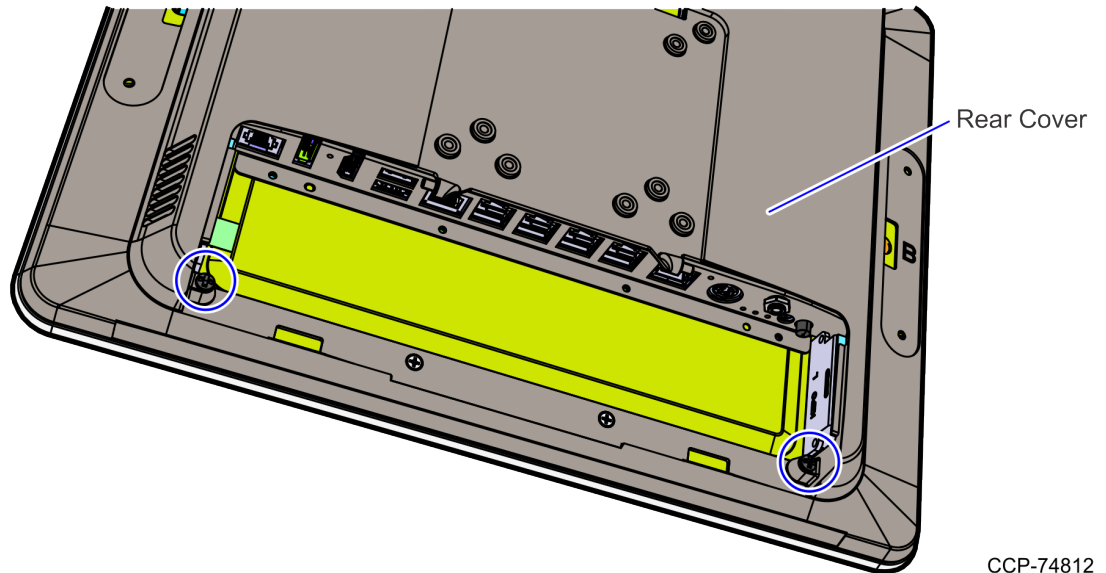
CCP-83220

5. Install the Terminal Display Rear Cover, if necessary. For more information, refer to [Installing the Terminal Display Rear Cover](#) on the facing page.

Installing the Terminal Display Rear Cover

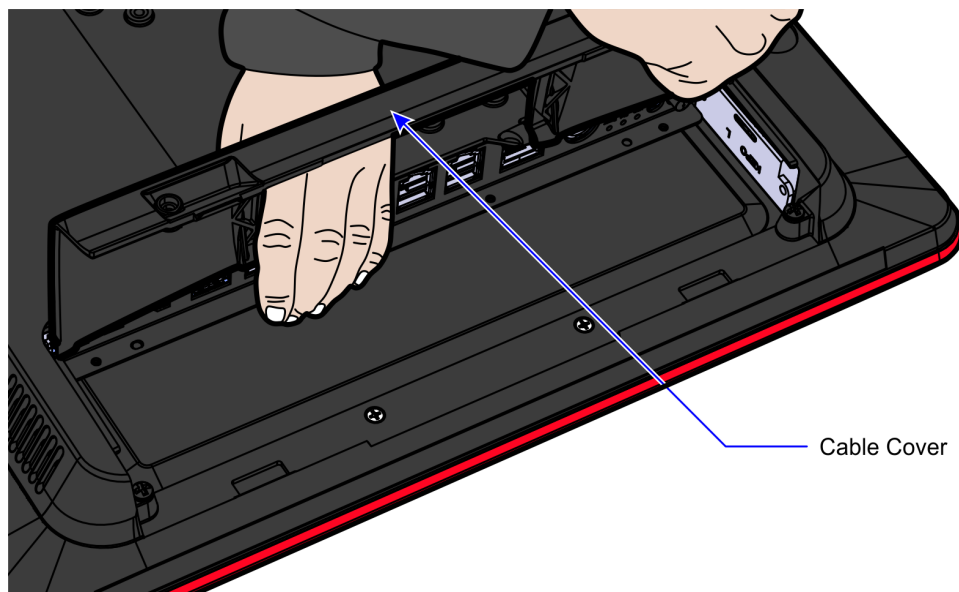
To install the Rear Cover of the Terminal Display, follow these steps:

1. Attach and secure the rear cover on the back of the Terminal Display using two (2) screws, as shown in the image below.



CCP-74812

2. Install the cable cover.



CCP-72706

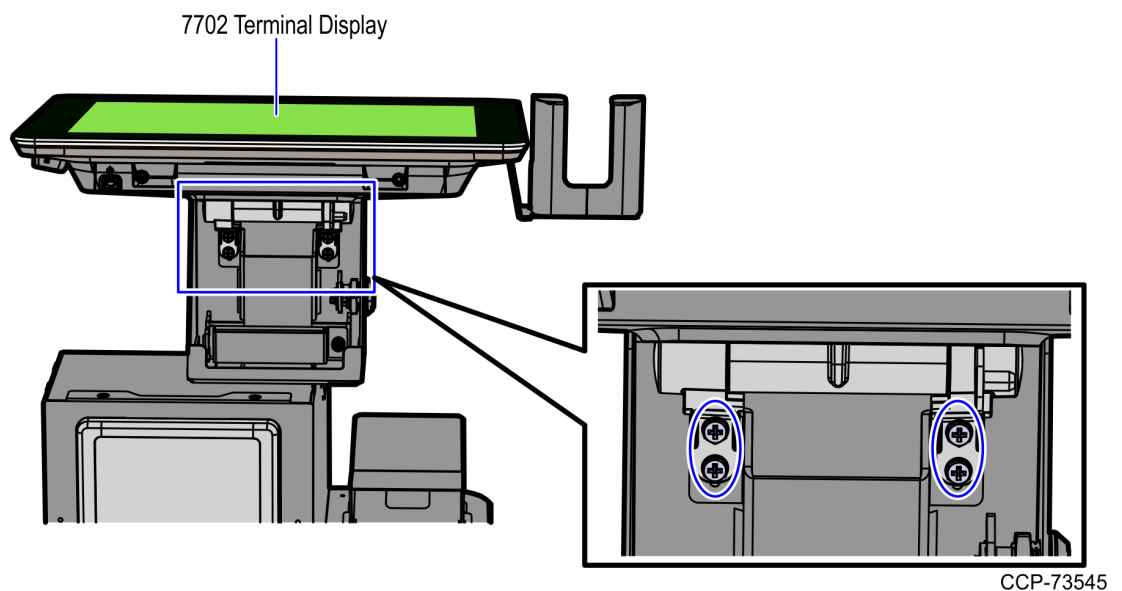
Installing the NCR Terminal Display

To install the NCR Terminal Display, follow these steps:

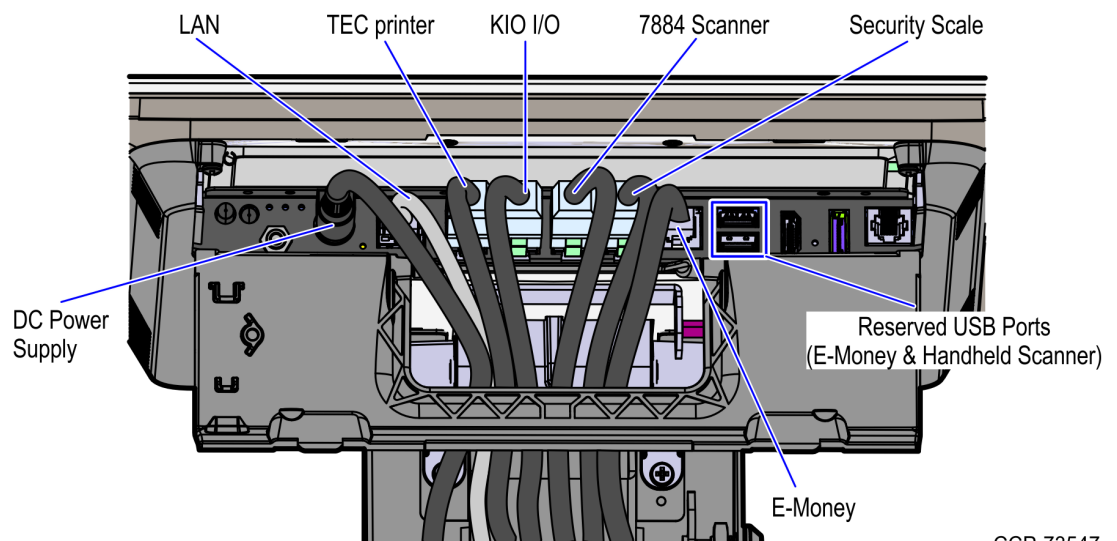


Note: For the purpose of illustration only, this procedure shows images using a 7702 Terminal Display.

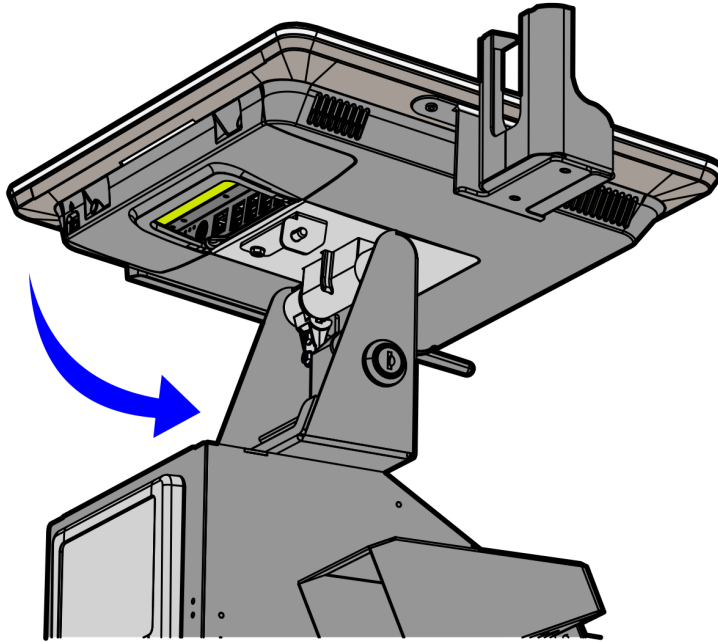
1. Remove the existing NCR Terminal Display, if necessary. For more information, refer to [Removing the Terminal Display](#) on page 5.
2. Install the Adaptor Plate to the Display.
3. Mount the Terminal Display on the Upper Enclosure and then secure using four (4) M4 x 8 machine screws, as shown in the images below.



4. Connect cables to the Terminal Display.



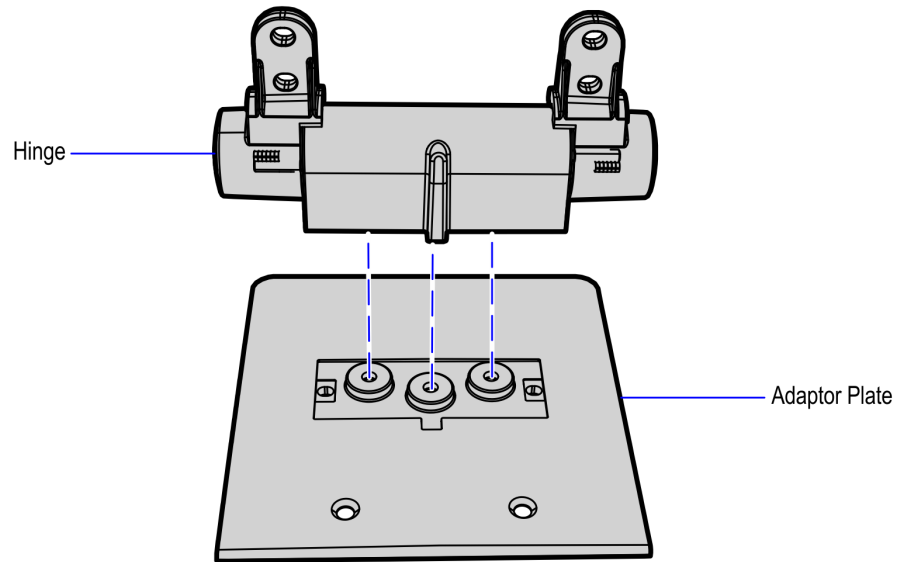
5. Close the the cable cover.
6. Turn on the NCR SelfServ Checkout hardware system.
7. Close the Terminal Display.



Installing the Display Adaptor Plate

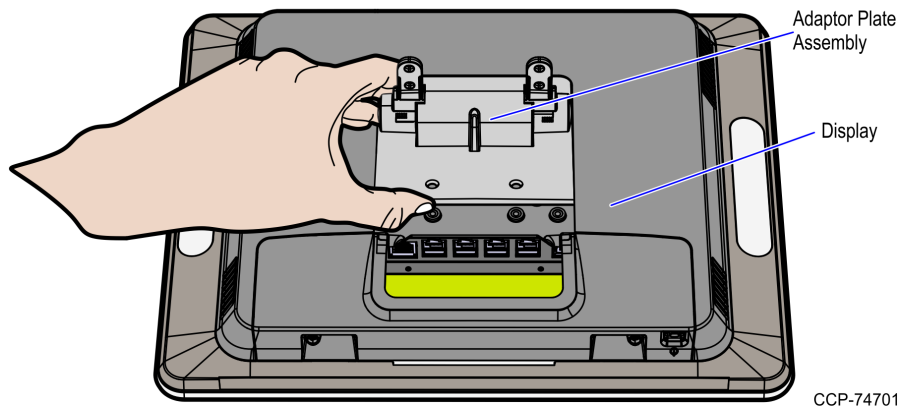
To install the adaptor plate to the Terminal Display, follow these steps:

1. Do the following:
 - a. Place the Adaptor Plate on a flat surface.
 - b. Align the hinge to the Adaptor Plate and then secure using three (3) M4 machine screws.



CCP-74700

2. Place the NCR Terminal Display on a flat surface with the back facing up.
3. Attach the Adaptor Plate to the Display, as shown in the image below.



4. Install the Anti-tilt Bracket using two (2) M4 machine screws, as shown in the image below.

