

Kit Instructions

R6-Japan Camera



7707-K201
Issue A



The product described in this document is a licensed product of NCR Corporation.

NCR is a registered trademark of NCR Corporation. NCR SelfServ™ Checkout is a trademark of NCR Corporation in the United States and/or other countries. Other product names mentioned in this publication may be trademarks or registered trademarks of their respective companies and are hereby acknowledged.

Where creation of derivative works, modifications or copies of this NCR copyrighted documentation is permitted under the terms and conditions of an agreement you have with NCR, NCR's copyright notice must be included.

It is the policy of NCR Corporation (NCR) to improve products as new technology, components, software, and firmware become available. NCR, therefore, reserves the right to change specifications without prior notice.

All features, functions, and operations described herein may not be marketed by NCR in all parts of the world. In some instances, photographs are of equipment prototypes. Therefore, before using this document, consult with your NCR representative or NCR office for information that is applicable and current.

To maintain the quality of our publications, we need your comments on the accuracy, clarity, organization, and value of this book. Please use the link below to send your comments.

Email: FD230036@ncr.com

Copyright © 2020
By NCR Corporation
864 Spring St. NW
Atlanta, GA 30308
United States
All Rights Reserved

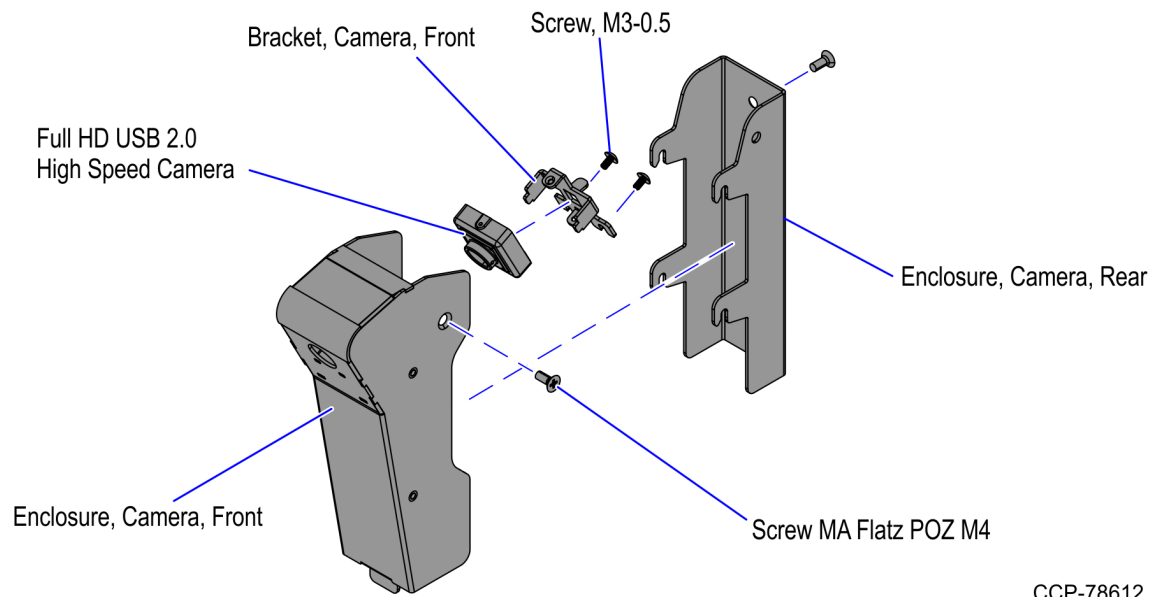
Revision Record

Issue	Date	Remarks
A	Mar 2020	First Issue

R6-Japan Camera

The R6-Japan Camera is used to capture customers and the notes they enter into the Note Recycler — in one view. This publication provides procedures for installing a Camera to the Tri-Light/Lane Light Pole of an NCR SelfServ™ Checkout (7707) unit.

Kit Contents



CCP-78612

Part Number	Description
497-0527875	7707-K201 Camera Kit, D-Vitec
497-0521398	Bracket, Camera, Front, 7707
795-0267702	Enclosure, Camera, Front, 7707 (Mid Silver)
795-0261302	Enclosure, Camera, Rear, 7707 (Mid Silver)
497-0520372	Full HD USB 2.0 High Speed Camera
007-7022122	Screw MA Flat POZ M4 10L (2 pcs)
006-8624619	Screw, M3-0.5 Pitch x 6 mm, Truss Head, Phillips, Zinc, Nylock Patch (2 pcs)
* 497-0423108	Instructions Kit (Reference Sheet)

* Items marked with an asterisk are not called out on the image.

Installation Procedures

To install the R6-Japan Camera, follow these steps:

1. Do any of the following, if necessary:
 - Remove the existing Camera. For more information, refer to [Removing the Camera](#) on the facing page.
 - For units without Camera, remove the Camera Blanking Plate. For more information, refer to [Removing Camera Blanking Plate](#) on page 5.
2. Route the camera cables. For more information, refer to [Routing Camera Cable](#) on page 6.
3. Install the R6-Japan Camera. For more information, refer to [Installing Camera](#) on page 10.
4. Turn on the R6-Japan unit. The ADD/CADD window is displayed, showing available devices. For more information, refer to *NCR SelfServ™ Checkout (7707) R6-Japan Hardware Service Guide (BCC5-0000-5237)*.

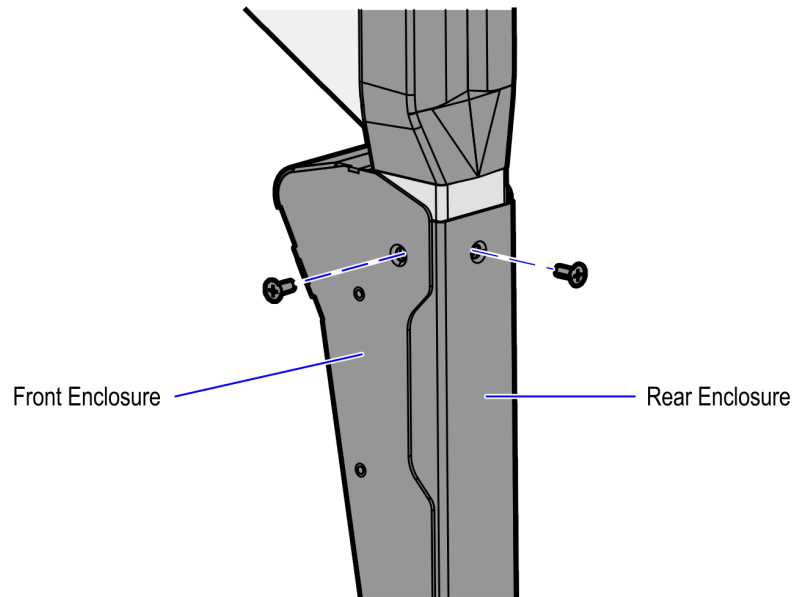


Note: The SelfServ Checkout application automatically runs and installs all available devices. If the new or replaced device is not listed in the ADD/CADD window, an error message is displayed. Follow the instructions on how to fix the error and then, restart the system.

Removing the Camera

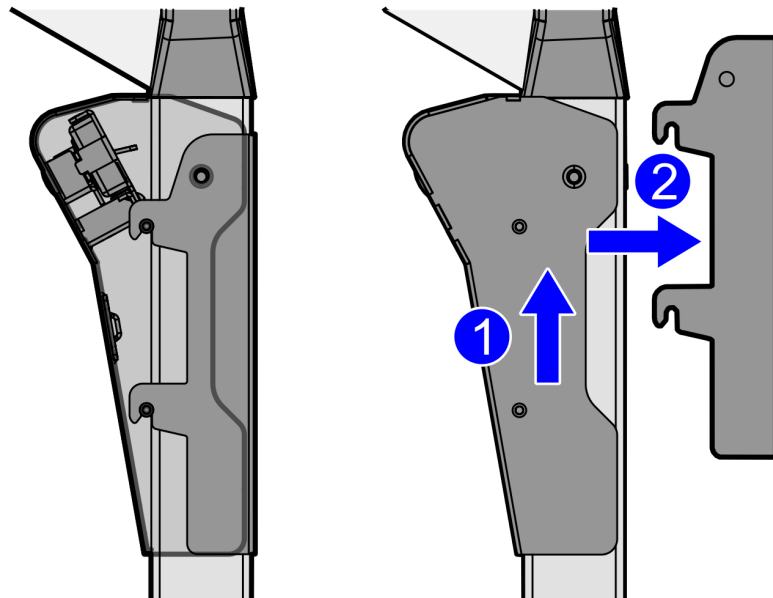
To remove the camera, follow these steps:

1. Turn off the SelfServ Checkout unit.
2. Remove two (2) screws securing the camera enclosures to the Tri-Light pole.



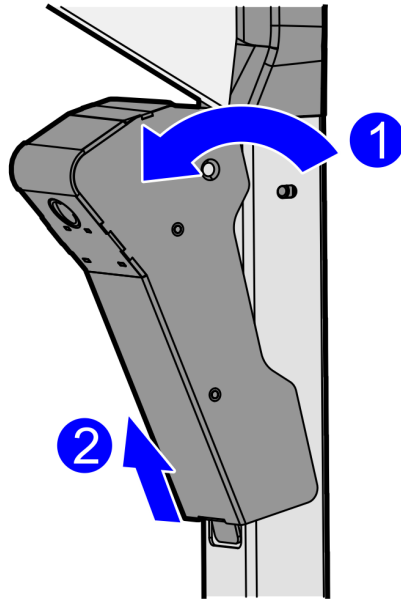
CCP-73473

3. Disengage the rear enclosure by sliding it up and then out of the Tri-Light pole.



CCP-73474

4. Disengage the front enclosure by sliding it up and out of the Tri-Light pole, as shown in the image below.



CCP-73475

5. Disconnect the cable attached to the camera.

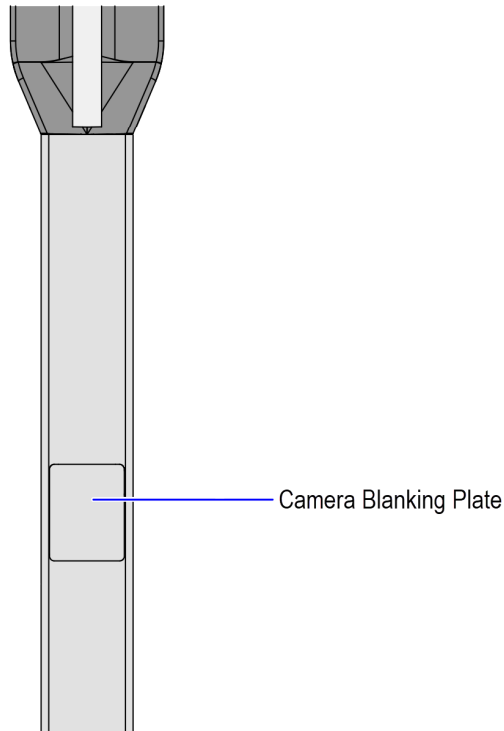
Removing Camera Blanking Plate

To remove the Camera Blanking Plate, follow these steps:

1. Using a metal pry tool or a flat screwdriver, slowly remove the Blanking Plate by starting from the sides until the plate is completely detached.



Caution: Use the pry tool with caution to avoid scratches on the paint.



CCP-78600

2. Using a cloth or a cotton rag, clean the top surface with isopropyl alcohol to remove any adhesive residue.



Caution: Too much isopropyl alcohol can damage the surface paint of the unit.

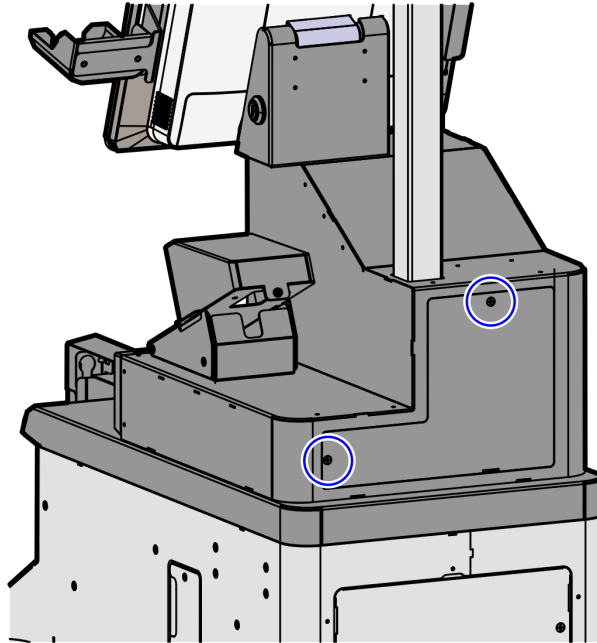
Routing Camera Cable

To route the camera cable in the R6-Japan unit, follow these steps:



Tip: For easier installation, route the camera and Tri-Light/Lane Light cables together because they go to the same destination.

1. Remove the back panel from the Tower frame by removing two (2) screws.

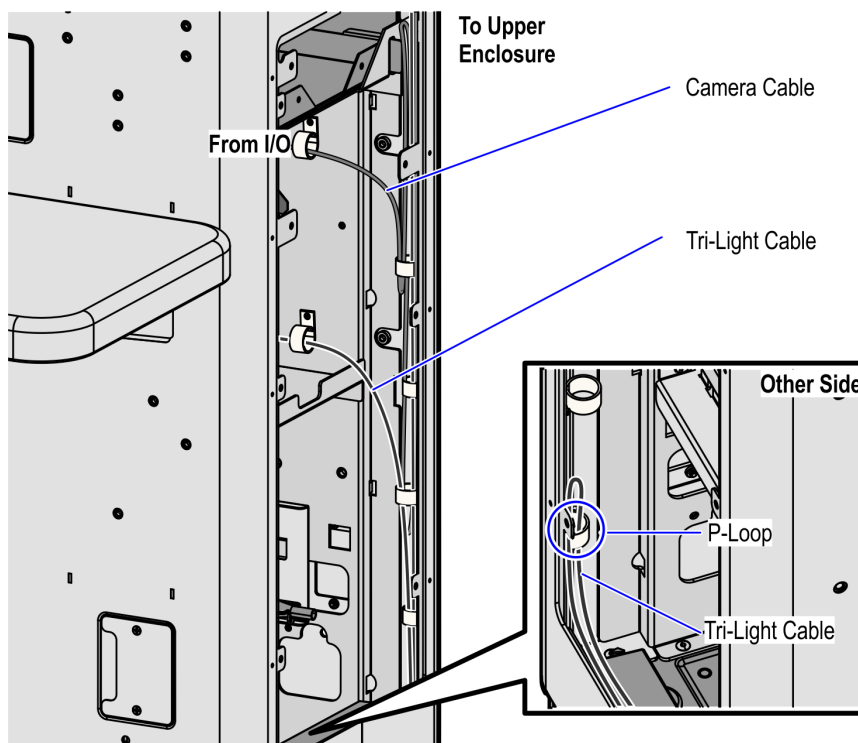


CCP-72797

2. Connect the camera cable to the KIO Board (USB Port H).
3. Route the cable down the lower cabinet and then loop back up to the Upper Enclosure through P-loops, as shown in the image below.

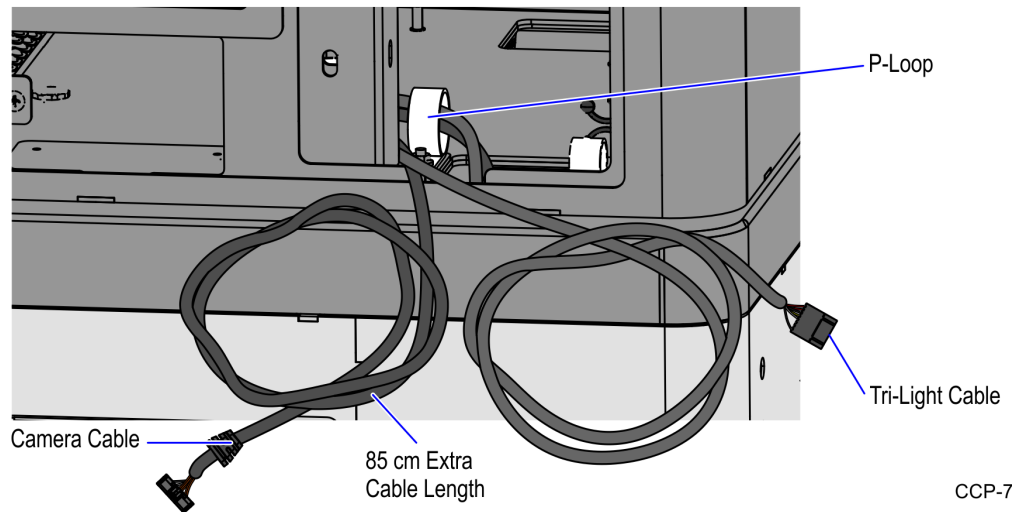


Note: Loop and secure excess cables through P-loops at the right side and left side of the lower cabinet.

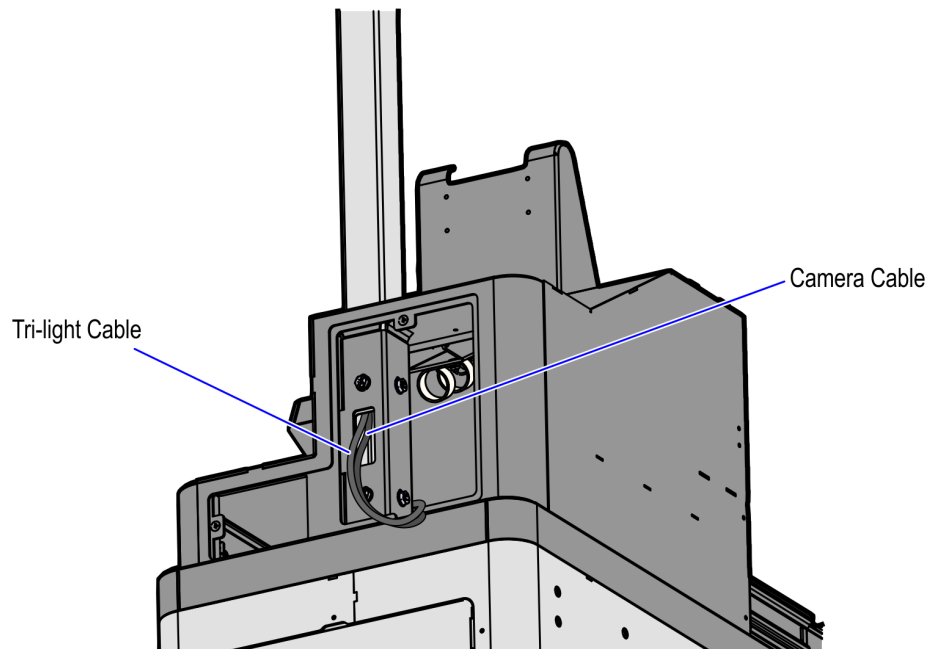


CCP-73486

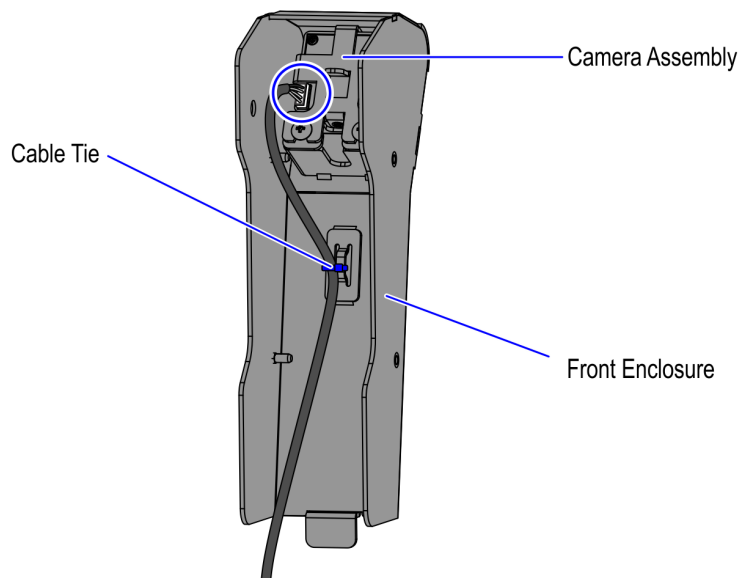
4. Route the cable through the P-loop at the rear side of the Upper Enclosure as shown in the image below. Ensure that there is at least 85 cm extra cable length from the P-loop.



5. Insert the cable through the opening on the side of the pole duct and route it out to the camera's cable access hole.



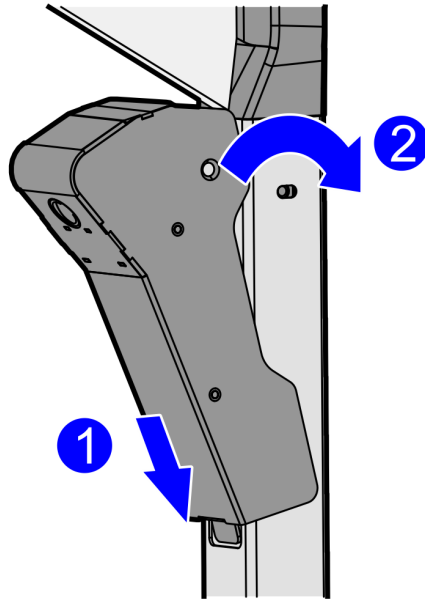
6. Connect the camera cable to the camera unit and then secure cable using a cable tie, as shown in the image below.



Installing Camera

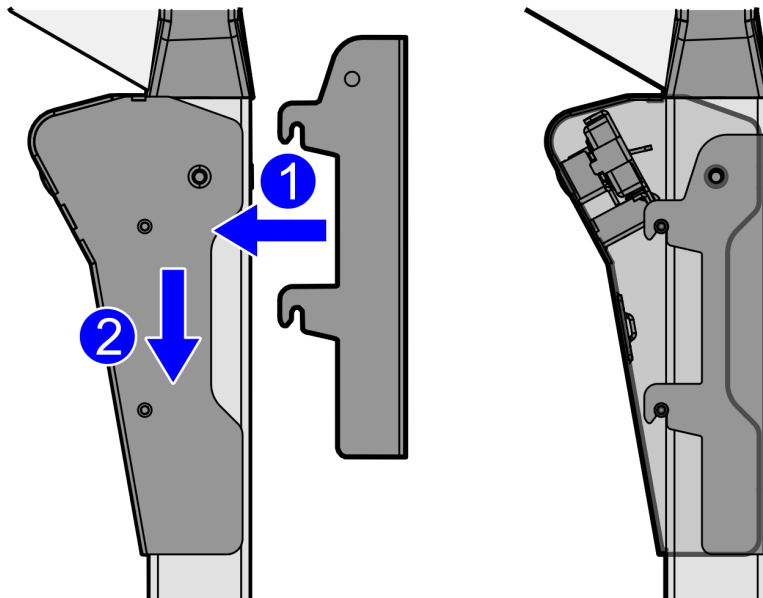
To install the camera, follow these steps:

1. Do the following:
 - a. Slide down the front enclosure hook to the corresponding slot on the Tri-Light pole.
 - b. Lock the front enclosure by pushing it to the Tri-Light pole.



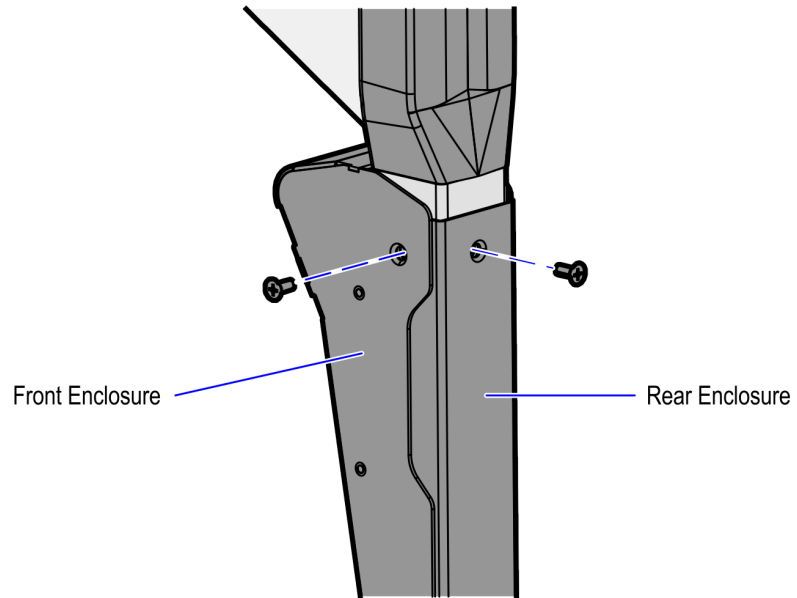
CCP-73467

2. Slide the rear enclosure hooks between the front enclosure and Tri-Light pole. Ensure that the hooks are engaged with the studs of the front enclosure, as shown on the image below.



CCP-73472

3. Secure the enclosures to the Tri-Light pole using two (2) screws.



CCP-73473