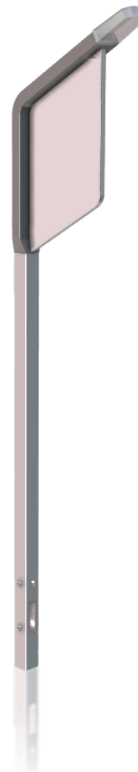


Kit Instructions

No Camera Tri-Light/Lane Light Assembly



7707-K063
Issue A



The product described in this document is a licensed product of NCR Corporation.

NCR is a registered trademark of NCR Corporation. NCR SelfServ™ Checkout is a trademark of NCR Corporation in the United States and/or other countries. Other product names mentioned in this publication may be trademarks or registered trademarks of their respective companies and are hereby acknowledged.

Where creation of derivative works, modifications or copies of this NCR copyrighted documentation is permitted under the terms and conditions of an agreement you have with NCR, NCR's copyright notice must be included.

It is the policy of NCR Corporation (NCR) to improve products as new technology, components, software, and firmware become available. NCR, therefore, reserves the right to change specifications without prior notice.

All features, functions, and operations described herein may not be marketed by NCR in all parts of the world. In some instances, photographs are of equipment prototypes. Therefore, before using this document, consult with your NCR representative or NCR office for information that is applicable and current.

To maintain the quality of our publications, we need your comments on the accuracy, clarity, organization, and value of this book. Please use the link below to send your comments.

Email: FD230036@ncr.com

Copyright © 2020
By NCR Corporation
864 Spring St. NW
Atlanta, GA 30308
United States
All Rights Reserved

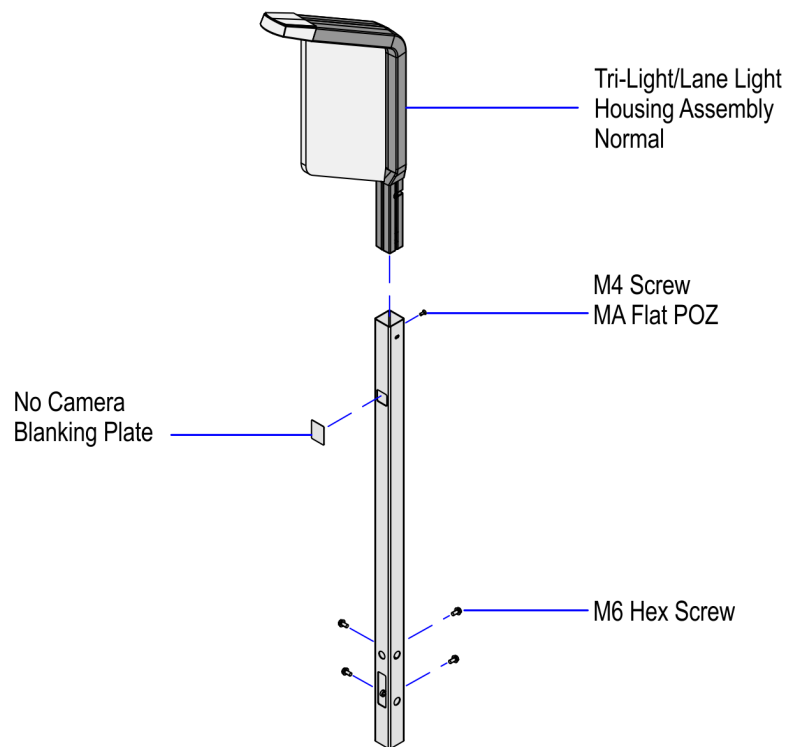
Revision Record

Issue	Date	Remarks
A	Mar 2020	First Issue

No Camera Tri-Light/Lane Light Assembly

The Tri-Light/Lane Light includes two lighting devices — a Tri-Light and a Lane light. The Tri-Light provides a tri-color LED (Red/Amber/Green) to signal or request store personnel intervention. The Lane Light indicates whether the lane is open or close. This publication provides procedures for installing a No Camera Tri-Light/Lane Light Assembly to an NCR SelfServ™ Checkout (7707) R6-Japan.

Kit Contents



CCP-78606

Part Number	Description
497-0527873	7707-K063 R6-Japan Tri-Light/Lane Light Assembly Kit
497-0525777	Assembly - Tri-Light/Lane Light Housing, Normal
* 497-0521822	Cable - R6 Tri-Light Adapter With Inline Resistor
* 497-0510795	Cable - Tri-Light/Lane Light Extender, Long Pole, 140 in
497-0522836	No Camera Blanking Plate

Part Number	Description
009-0006599	Screw Hex M6 x 12 MC Comb (4 pcs)
007-7022122	Screw MA Flat POZ M4 10L (2 pcs)
795-0253202	Weldment - Pole, Tri-Light (Impact Mid Silver)
* 497-0423108	Instructions Kit (Reference Sheet)

* Items marked with an asterisk are not called out on the image.

Installation Procedures

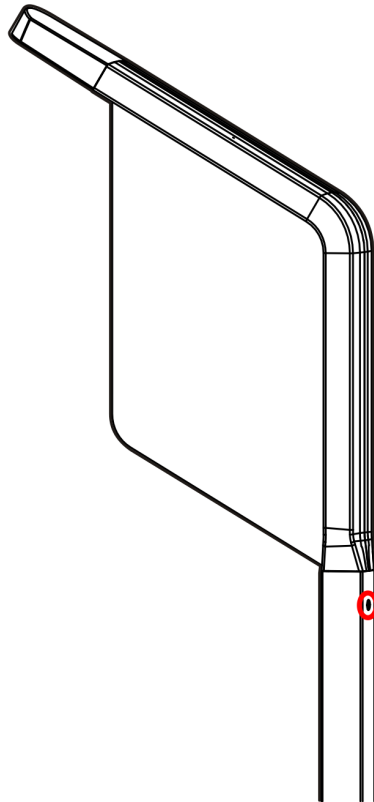
To install the No Camera Tri-Light/Lane Light Assembly, follow these steps:

1. Do the following, if necessary:
 - Remove the existing Tri-Light/Lane Light Assembly. For more information, refer to [Removing the Tri-Light/Lane Light Assembly](#) on the next page.
 - Remove the existing Tri-Light/Lane Light Pole. For more information, refer to [Removing Tri-Light/Lane Light Pole](#) on page 6.
 - For units with no Tri-Light/Lane Light Assembly, remove the No Tri-Light Pole Blanking Plate. For more information, refer to [Removing Tri-Light/Lane Light Pole Blanking Plate](#) on page 8.
2. Install the Tri-Light/Lane Light Pole. For more information, refer to [Installing Tri-Light/Lane Light Pole](#) on page 9.
3. Install the Tri-Light/Lane Light Assembly. For more information, refer to [Installing the Tri-Light/Lane Light Assembly](#) on page 13.

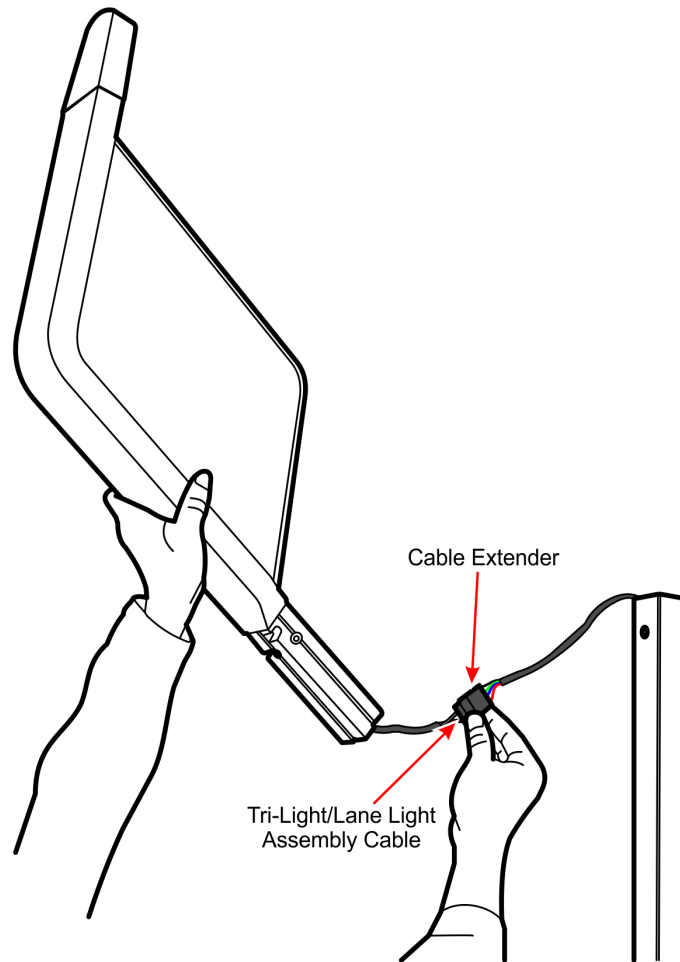
Removing the Tri-Light/Lane Light Assembly

To remove the Tri-Light/Lane Light assembly, follow these steps:

1. Shut down the NCR SelfServ™ Checkout (7707) R6-Japan software and hardware systems.
2. Remove the screw securing the Tri-Light/Lane Light Assembly to the Tri-Light/Lane Light pole.



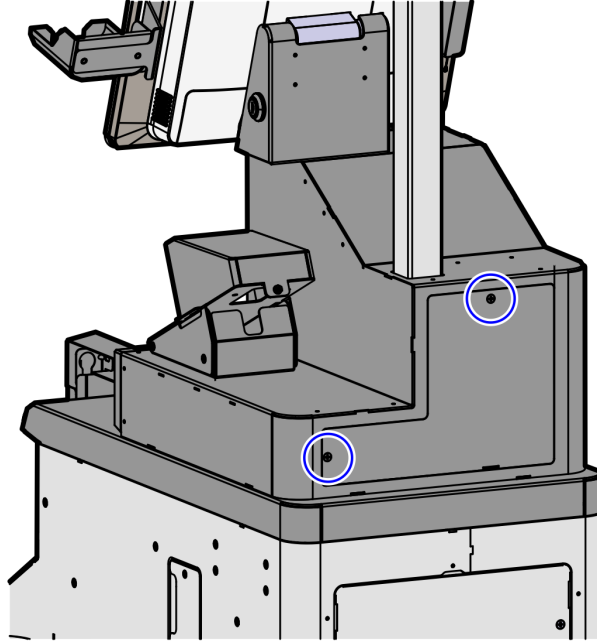
3. Lift the Tri-Light/Lane Light Assembly and then disconnect the cables.



Removing Tri-Light/Lane Light Pole

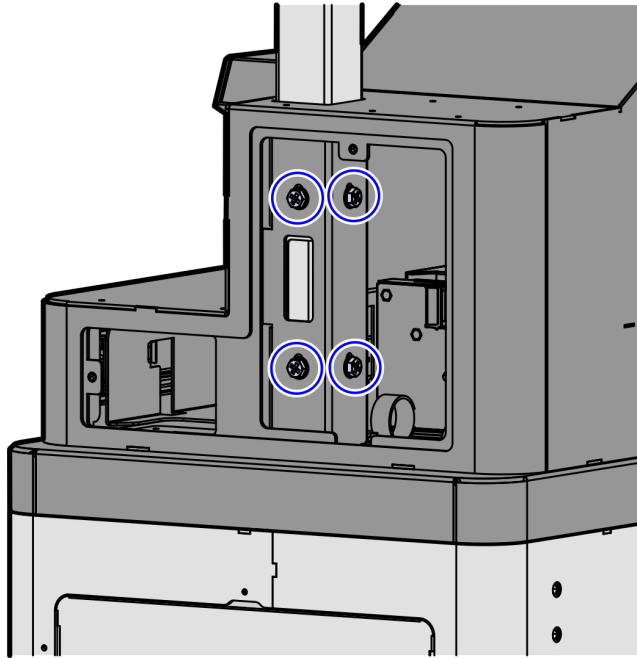
To remove the Tri-Light/Lane Light pole, follow these steps:

1. Remove the back panel from the Tower frame by removing two (2) screws.



CCP-72797

2. Remove four (4) screws securing the pole to the unit.



CCP-73508

3. Disconnect the Tri-Light/Lane Light cable from the KIO Board.
4. Carefully lift the pole out of the unit.

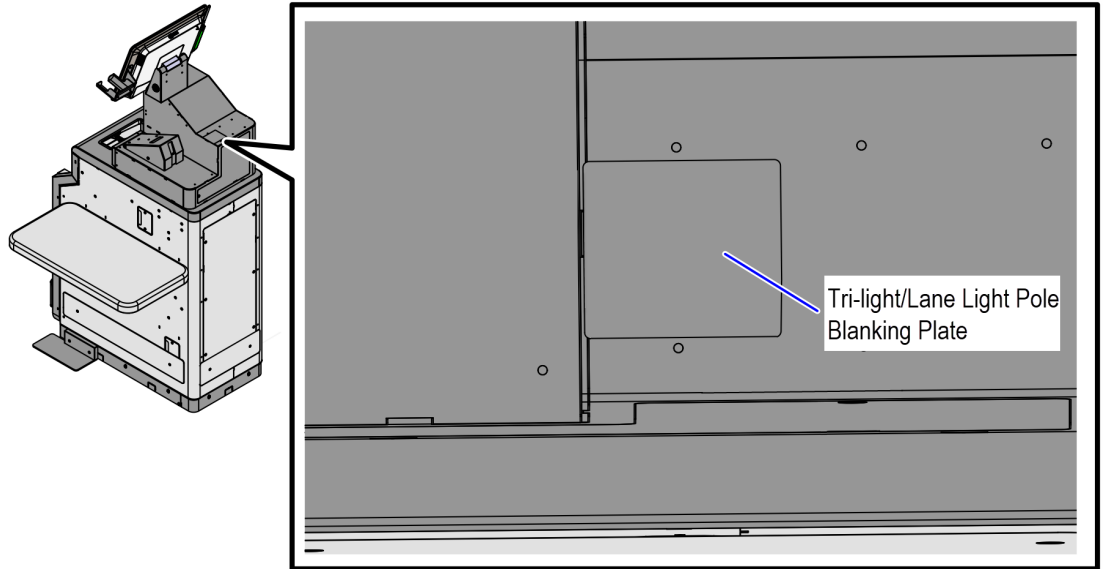
Removing Tri-Light/Lane Light Pole Blanking Plate

To remove the Tri-Light/Lane Light Pole Blanking Plate, follow these steps:

1. Using a metal pry tool or a flat screwdriver, slowly remove the Blanking Plate by starting from the sides until the plate is completely detached.



Note: Use the pry tool with caution to avoid scratches on the paint.



CCP-78096

2. Using a cloth or a cotton rag, clean the top surface with isopropyl alcohol to remove any adhesive residue.

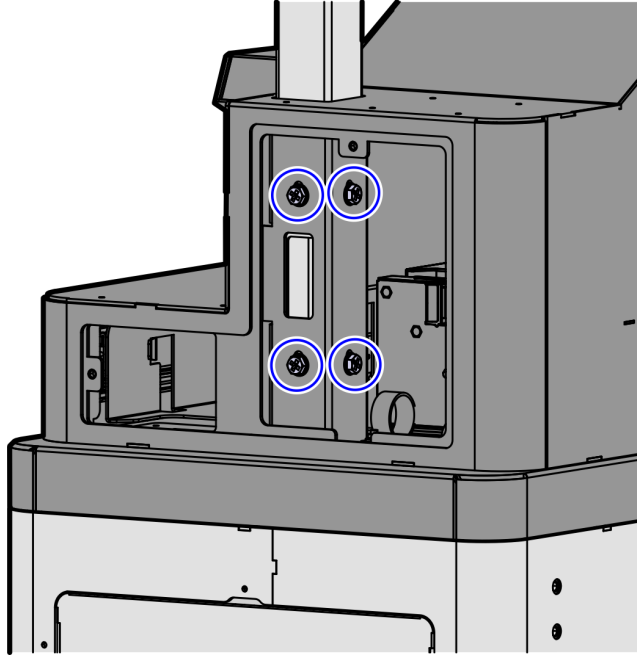


Caution: Too much isopropyl alcohol can damage the surface paint of the unit.

Installing Tri-Light/Lane Light Pole

To install the Tri-Light/Lane Light pole, follow these steps:

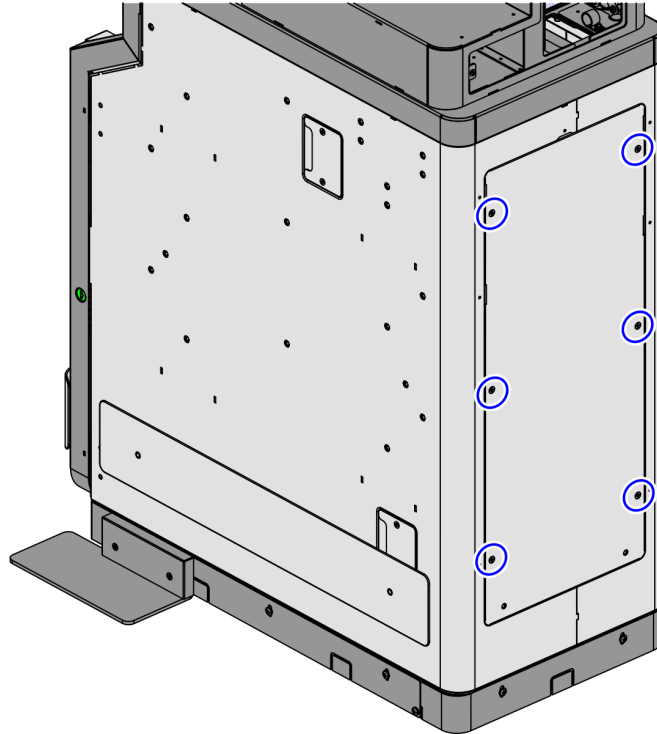
1. Carefully insert the pole into Upper Enclosure and secure the pole to the pole duct using four (4) screws.



CCP-73508

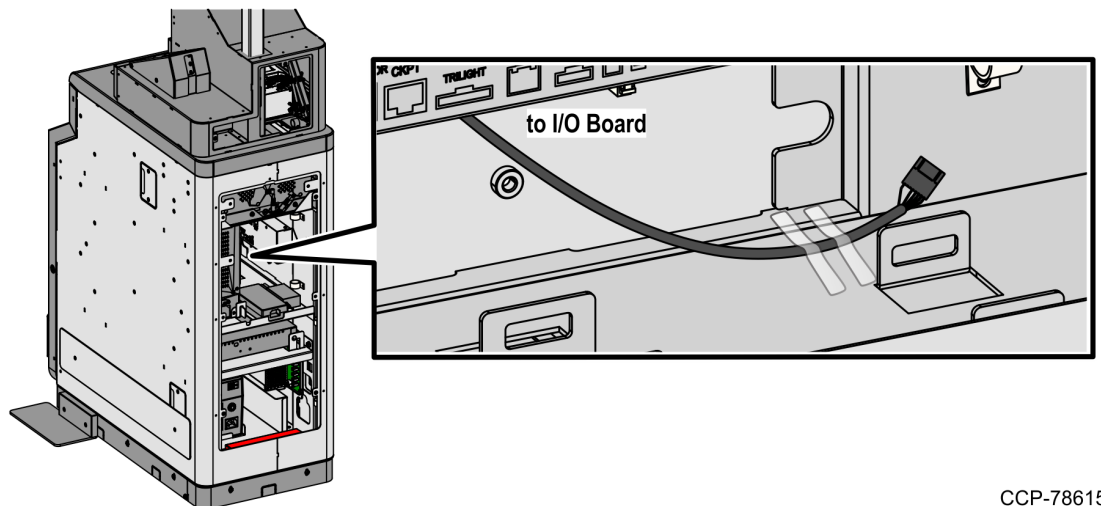
2. Insert the Tri-Light/Lane Light cable through the opening on the side of Tri-Light/Lane Light pole and route it out the top of the pole.

3. Remove the back panel of the Lower Core (Cabinet) Module by removing six (6) screws.



CCP-78614

4. Connect the Tri-Light/Lane Light adapter cable to the KIO Board and attach the cable to the shelf using two (2) strips of tape.



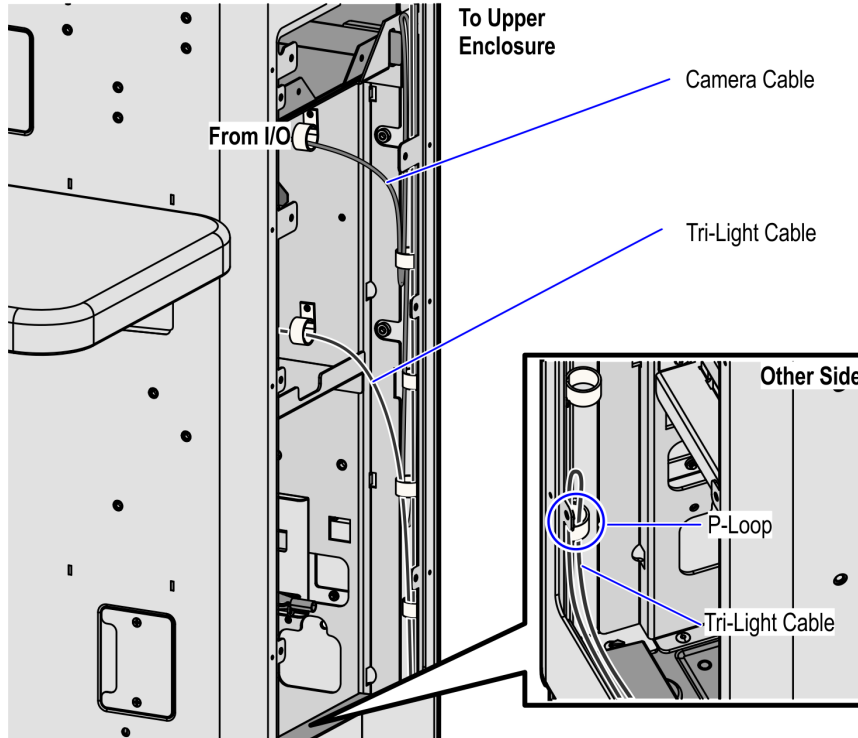
CCP-78615

5. Connect the Tri-Light/Lane Light cable with the adapter cable.

6. Route the cable down the lower cabinet and then loop back up to the Upper Enclosure through P-loops, as shown in the image below.

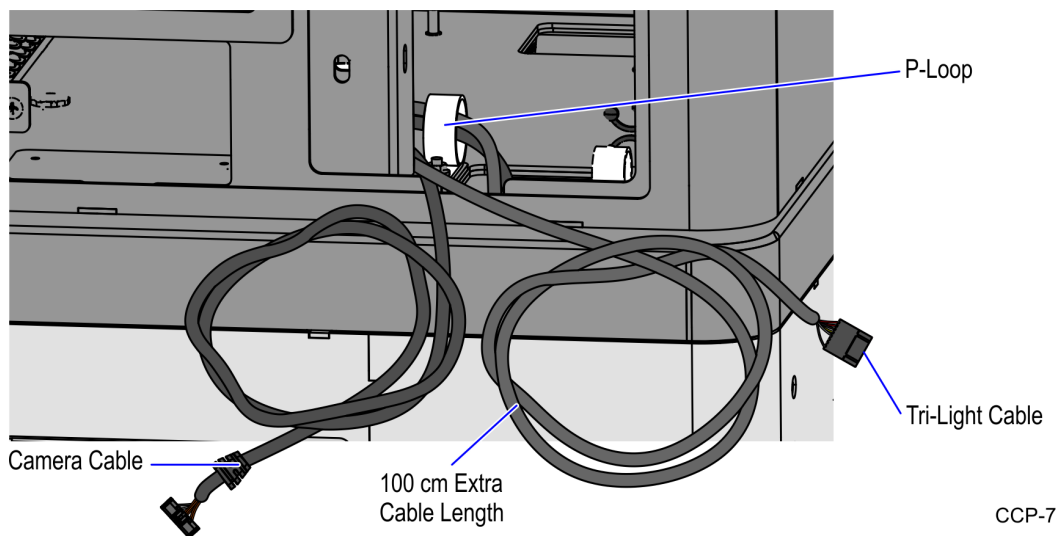


Note: Loop and secure excess cables through P-loops at the right side and left side of the lower cabinet.



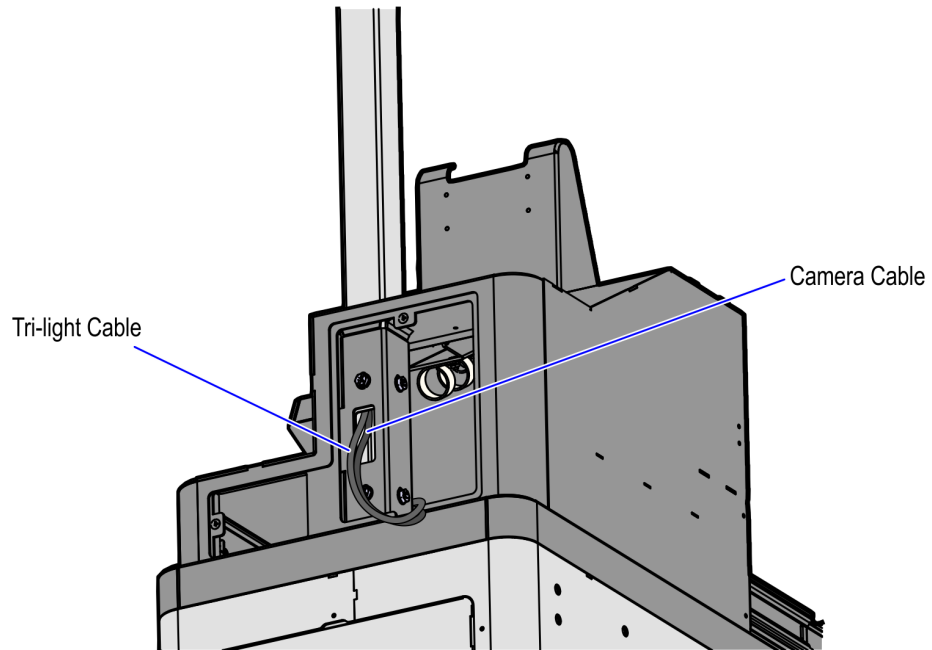
CCP-73486

7. Route the cable through the P-loop at the rear side of the Upper Enclosure as shown in the image below. Ensure that there is at least 100 cm extra cable length from the P-loop.



CCP-73490

8. Insert the cable through the opening on the side of the pole duct and route it out to the top of the pole.

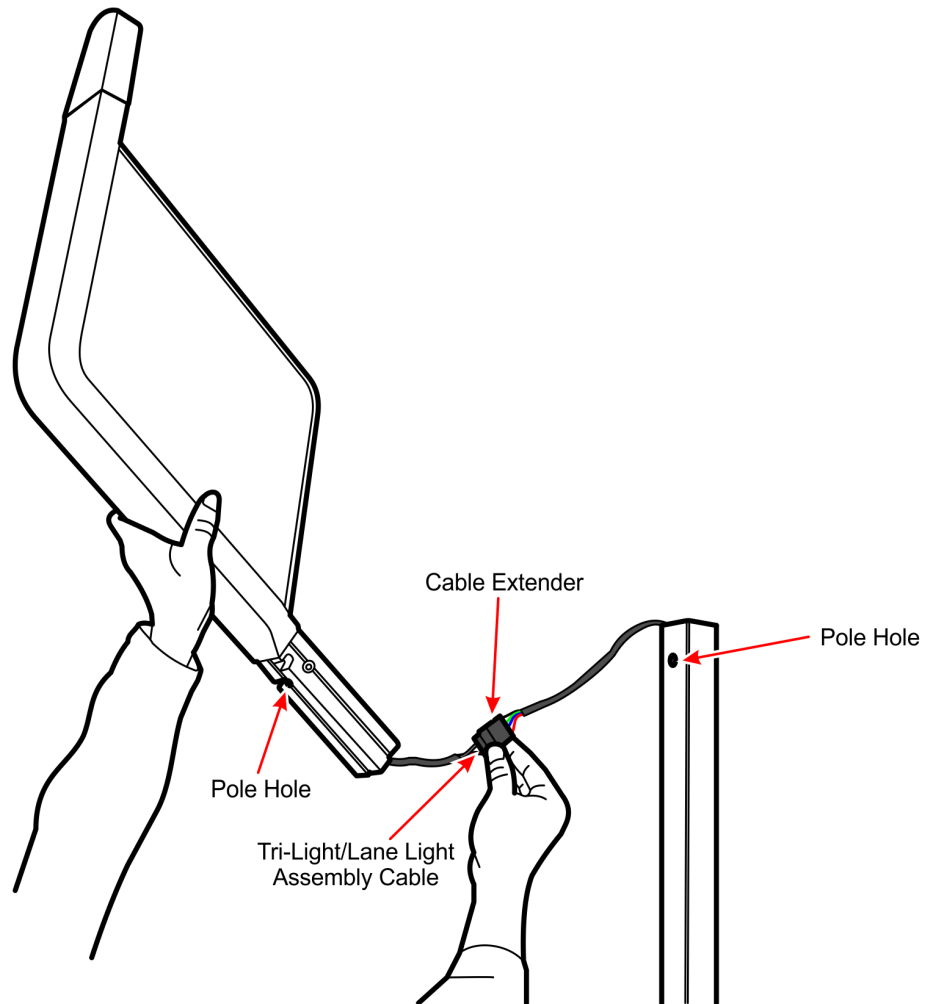


CCP-73550

Installing the Tri-Light/Lane Light Assembly

To install the Tri-Light/Lane Light assembly, follow these steps:

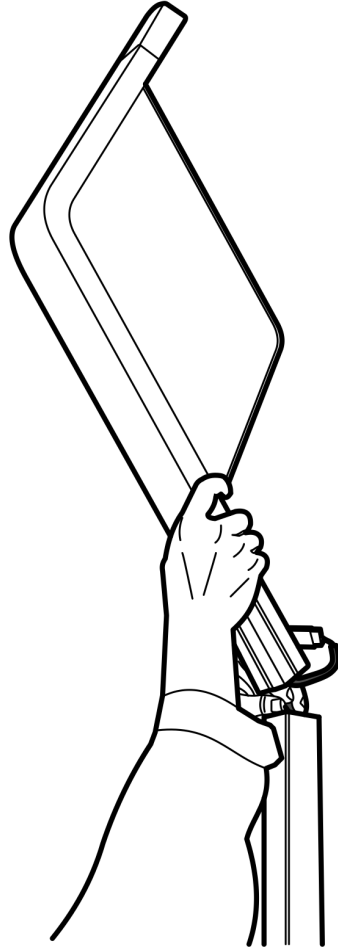
1. Connect the the Tri-Light/Lane Light assembly cable with the cable extender in the pole.



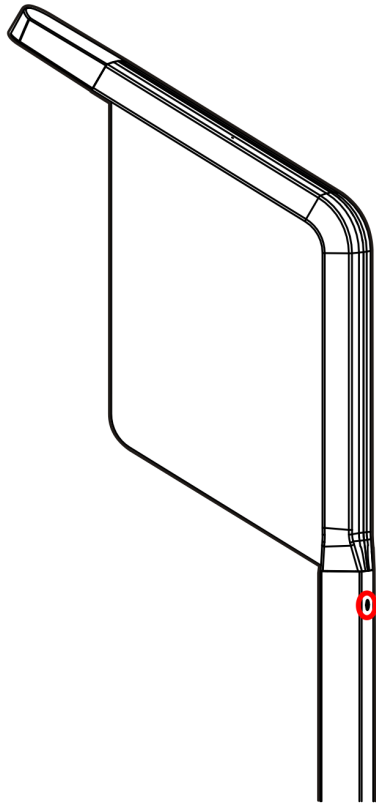
CCP-62080

2. Orient the Tri-Light/Lane Light assembly so that the Lane Light faces the front of the unit.

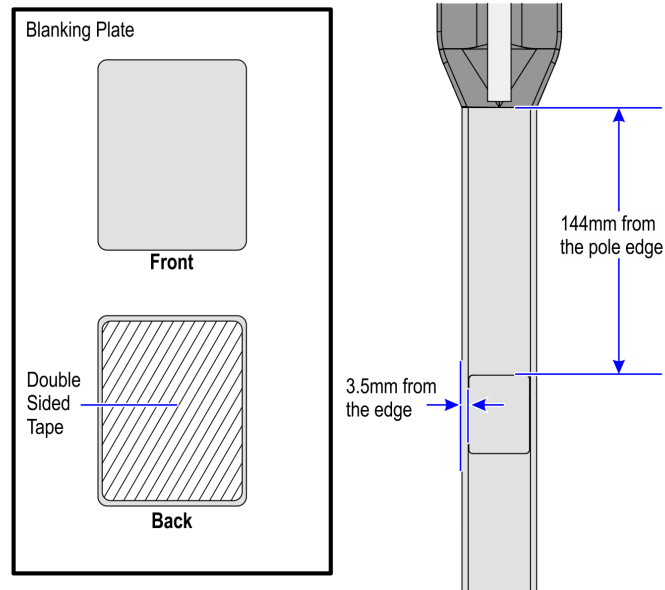
3. Insert the Tri-Light/Lane Light assembly into the Tri-Light/Lane Light pole. Ensure that the pole holes are aligned.



4. Secure the Tri-Light/Lane Light assembly to the pole with a screw.

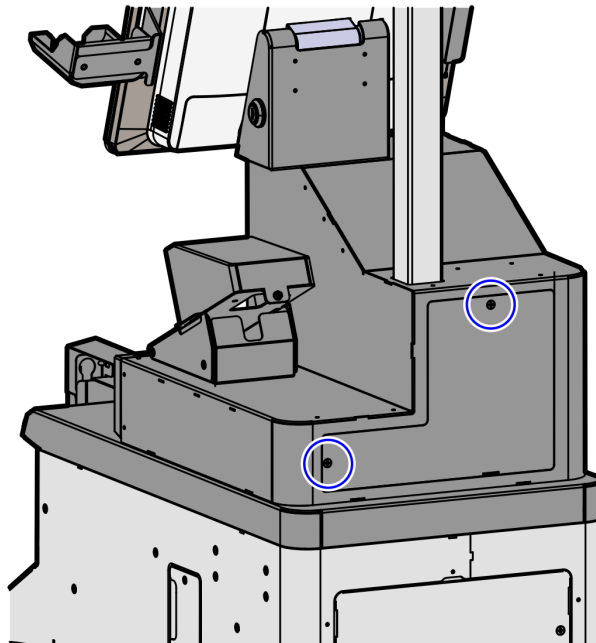


5. Do the following:
 - a. Remove the protective film of the double-sided tape on the back of the Blanking Plate.
 - b. Attach the Blanking Plate on the camera mounting slot. Ensure that the Blanking Plate is positioned based on the measurements shown in the image below.



CCP-78605

6. Install the back panel to the Tower frame using two (2) screws.



CCP-72797

7. Run the ADD utility to ensure device is updated with the latest firmware.