

Kit Instructions

No-Motorized Card Reader (MCR) Blanking Plate



7707-K042
Issue A



The product described in this document is a licensed product of NCR Corporation.

NCR is a registered trademark of NCR Corporation. NCR SelfServ™ Checkout is a trademark of NCR Corporation in the United States and/or other countries. Other product names mentioned in this publication may be trademarks or registered trademarks of their respective companies and are hereby acknowledged.

Where creation of derivative works, modifications or copies of this NCR copyrighted documentation is permitted under the terms and conditions of an agreement you have with NCR, NCR's copyright notice must be included.

It is the policy of NCR Corporation (NCR) to improve products as new technology, components, software, and firmware become available. NCR, therefore, reserves the right to change specifications without prior notice.

All features, functions, and operations described herein may not be marketed by NCR in all parts of the world. In some instances, photographs are of equipment prototypes. Therefore, before using this document, consult with your NCR representative or NCR office for information that is applicable and current.

To maintain the quality of our publications, we need your comments on the accuracy, clarity, organization, and value of this book. Please use the link below to send your comments.

Email: FD230036@ncr.com

Copyright © 2019
By NCR Corporation
864 Spring St. NW
Atlanta, GA 30308
United States
All Rights Reserved

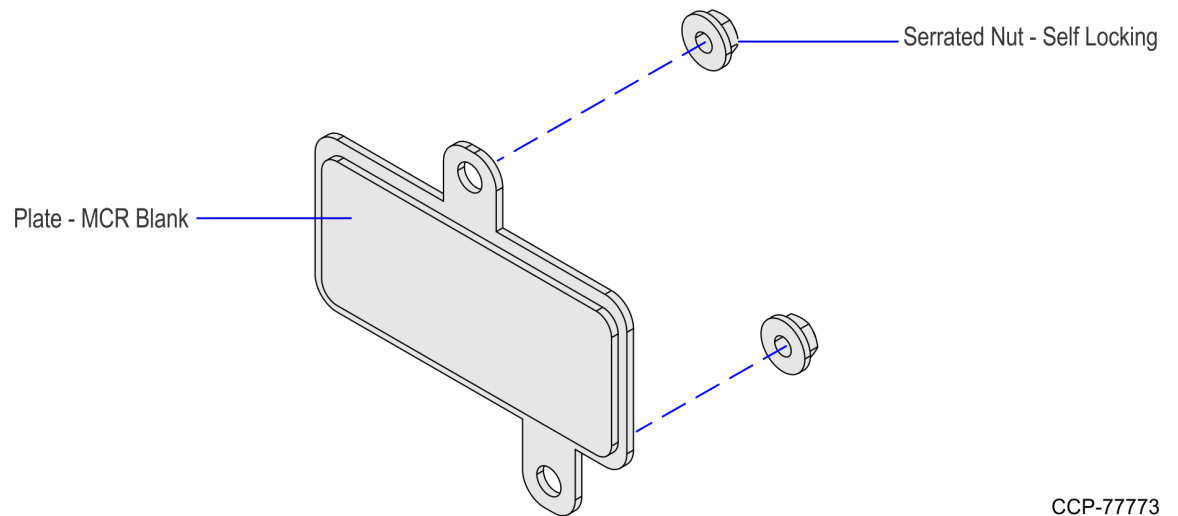
Revision Record

Issue	Date	Remarks
A	Oct 2019	First Issue

No-Motorized Card Reader (MCR) Blanking Plate

This publication provides procedures for installing a No-Motorized Card Reader (MCR) Blanking Plate on an NCR SelfServ™ Checkout (7707) R6-Japan unit.

Kit Contents



CCP-77773

Part Number	Description
497-0526891	Kit - No-Motorized Card Reader (MCR)
006-8627740	Serrated Nut - Self Locking (M3 x 0.50) (2 pcs)
795-0260301	Plate - MCR, Blank (Dark White)
* 497-0423108	Instructions Kit (Reference Sheet)

* Items marked with an asterisk are not called out on the image.

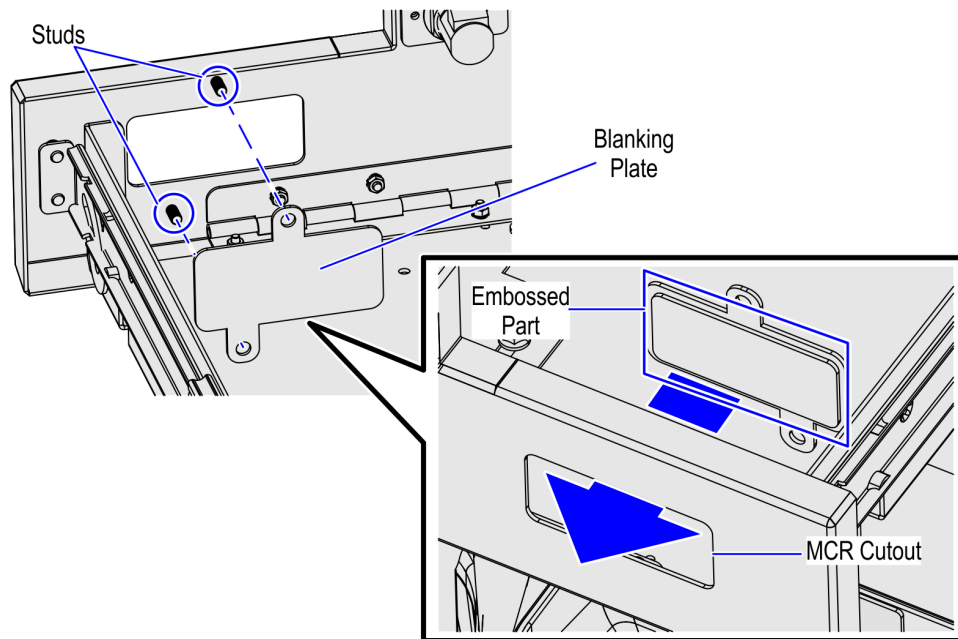
Installation Procedures

To install the No-Motorized Card Reader (MCR) Blanking Plate, follow these steps:

1. Remove the Motorized Card Reader (MCR), if necessary. For more information, refer to [Removing the Motorized Card Reader \(MCR\)](#) on page 4.
2. On the back of the Upper Cabinet Door, mount the Blanking Plate on the two (2) studs of the Upper Cabinet Door, as shown in the image below.

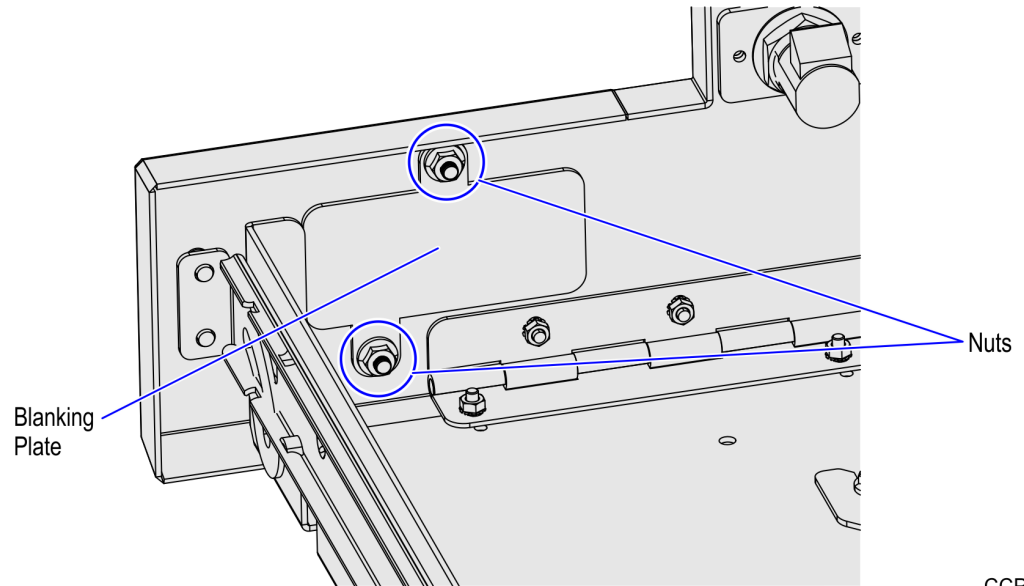


Note: Ensure that the embossed part of the Blanking Plate fits into the Motorized Card Reader (MCR) cutout.



CCP-77772

3. Secure the Blanking Plate to the Upper Cabinet Door using two (2) nuts, as shown in the image below.

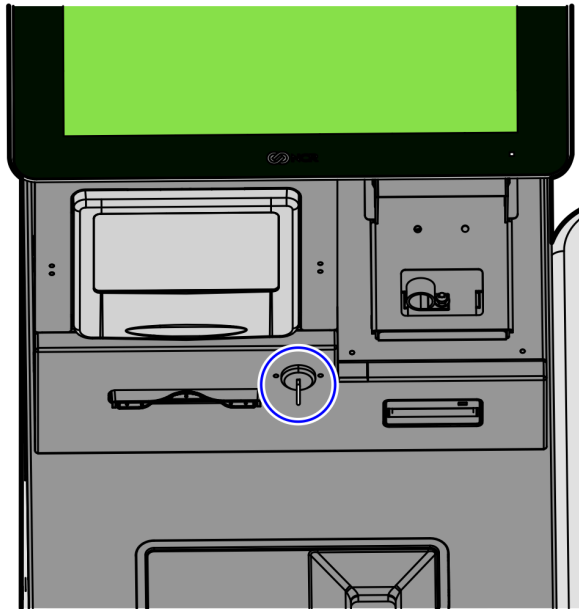


CCP-77771

Removing the Motorized Card Reader (MCR)

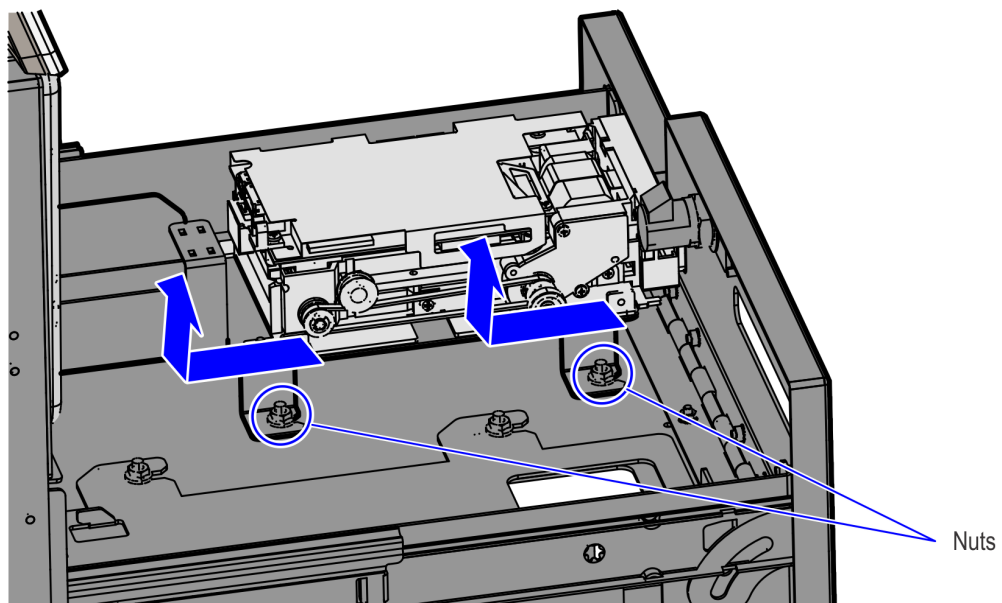
To remove the Motorized Card Reader (MCR), follow these steps:

1. Turn off the SelfServ Checkout unit.
2. Unlock the Upper Cabinet shelf using a key.



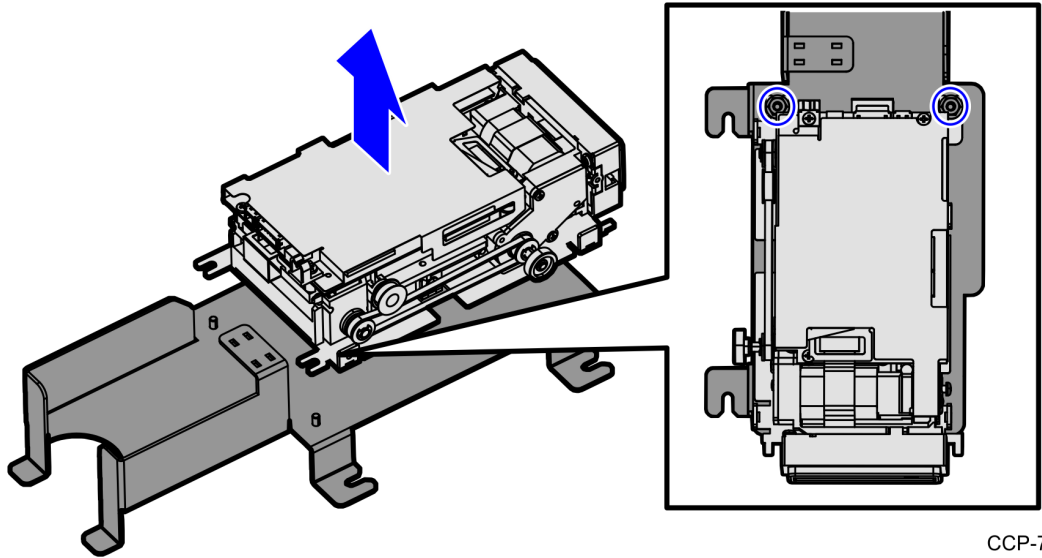
CCP-73506

3. Pull the Upper Cabinet shelf forward.
4. Disconnect cables from the back of the Motorized Card Reader (MCR).
5. Remove two (2) nuts securing the Motorized Card Reader (MCR) bracket to the shelf.



CCP-73481

6. Slide the assembly backwards to disengage the bracket from studs and lift the MCR assembly from the shelf.
7. Remove two (2) nuts securing the Motorized Card Reader (MCR) device to the bracket.



CCP-73489