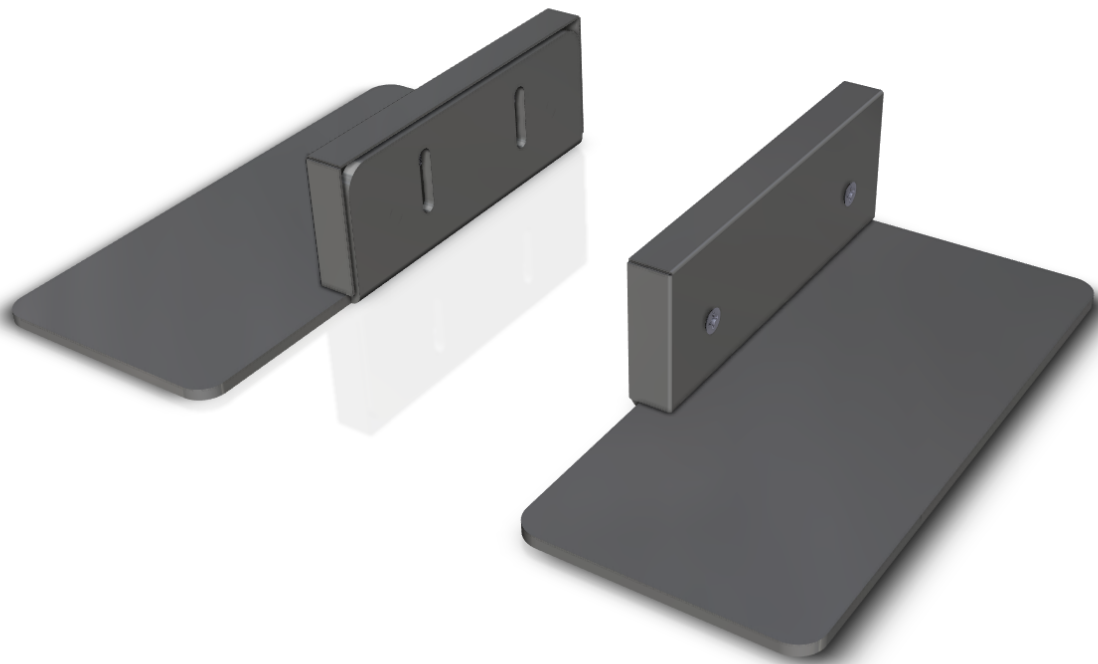


Kit Instructions

Stabilizer Solution, Semi-Self



7707-K902
Issue A



The product described in this document is a licensed product of NCR Corporation.

NCR is a registered trademark of NCR Corporation. NCR SelfServ™ Checkout is a trademark of NCR Corporation in the United States and/or other countries. Other product names mentioned in this publication may be trademarks or registered trademarks of their respective companies and are hereby acknowledged.

The terms HDMI and HDMI High-Definition Multimedia Interface, and the HDMI Logo are trademarks or registered trademarks of HDMI Licensing LLC in the United States and other countries.

Where creation of derivative works, modifications or copies of this NCR copyrighted documentation is permitted under the terms and conditions of an agreement you have with NCR, NCR's copyright notice must be included.

It is the policy of NCR Corporation (NCR) to improve products as new technology, components, software, and firmware become available. NCR, therefore, reserves the right to change specifications without prior notice.

All features, functions, and operations described herein may not be marketed by NCR in all parts of the world. In some instances, photographs are of equipment prototypes. Therefore, before using this document, consult with your NCR representative or NCR office for information that is applicable and current.

To maintain the quality of our publications, we need your comments on the accuracy, clarity, organization, and value of this book. Please use the link below to send your comments.

Email: FD230036@ncr.com

Copyright © 2018
By NCR Corporation
Duluth, GA U.S.A.
All Rights Reserved

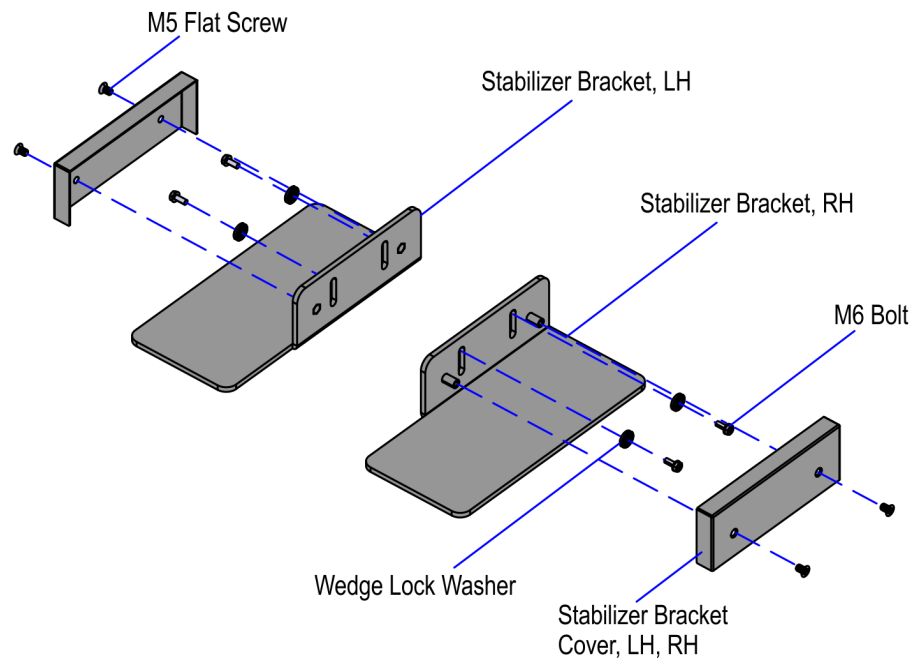
Revision Record

Issue	Date	Remarks
A	Jun 2018	First Issue

Stabilizer Solution, Semi Self

This publication provides procedures for installing Stabilizer Solution on the Semi-Self module in an NCR SelfServ™ Checkout (7707) unit.

Kit Contents



CCP-74421

Part Number	Description
497-0520546	7707-K902 Stabilizer Solution, Semi-Self
497-0519487	Stabilizer Bracket, LH
497-0519488	Stabilizer Bracket, RH
497-0520506	Stabilizer Bracket Cover, LH, RH
006-8624481	M5 Flat Screw (4pcs)
006-8626337	M6 Bolt (4pcs)
006-8626338	Wedge Lock Washer (4pcs)
* 497-0423108	Kit Instructions (Reference Sheet)

* Items marked with an asterisk are not called out on the image.

Installation Procedures

Installing Stabilizer Solution on the NCR SelfServ™ Checkout (7707) unit involves the following procedures:

1. Install the Core Skirt Panels if necessary. For more information, refer to [Installing Core Skirt Panels](#) on the facing page.
2. Install the Stabilizer Brackets. For more information, refer to [Installing Stabilizer Brackets](#) on page 6.

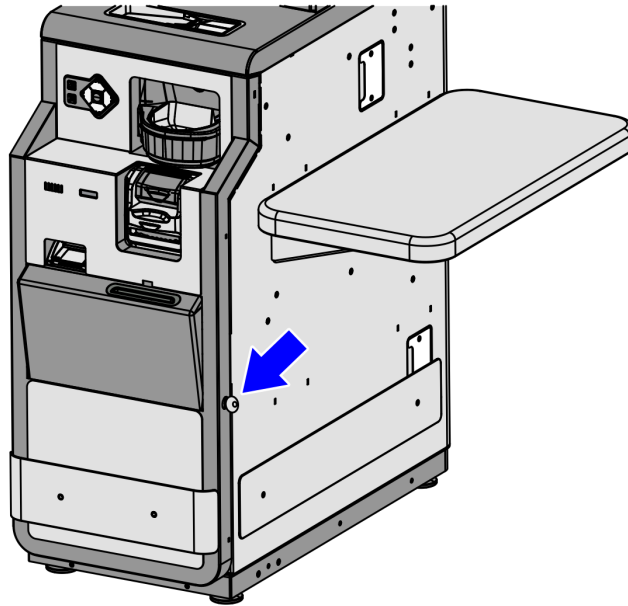


Note: Use a spirit level to make sure that the unit is level down properly.

Installing Core Skirt Panels

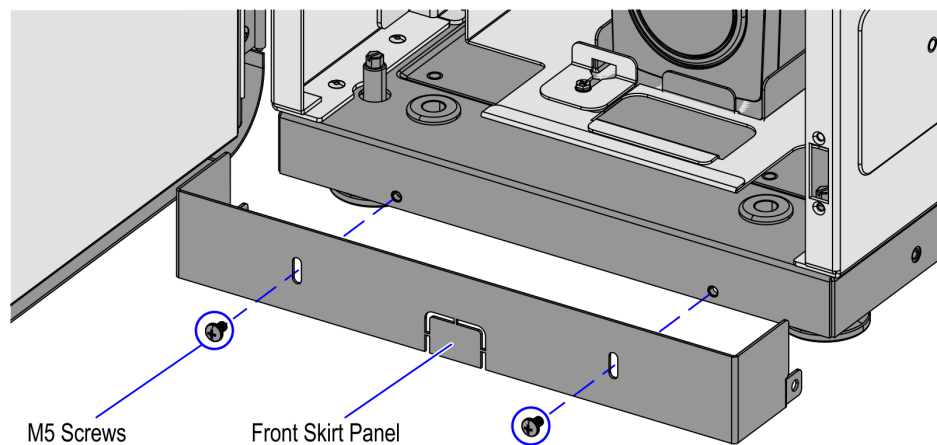
To install Core Skirt Panels on the NCR SelfServ Checkout (7707) unit, follow these steps:

1. To install the Front Skirt Panel, do the following:
 - a. Unlock and then open the NCR SelfServ™ Checkout (7707) external door, using a key.



CCP-74422

- b. Install the Front Skirt Panel using two M5 screws as shown in the image below.

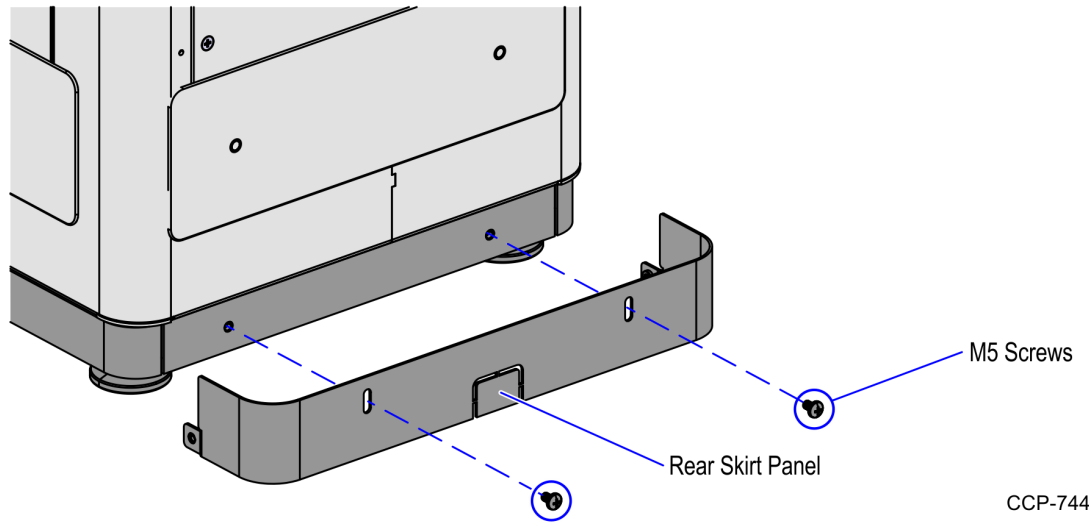


M5 Screws

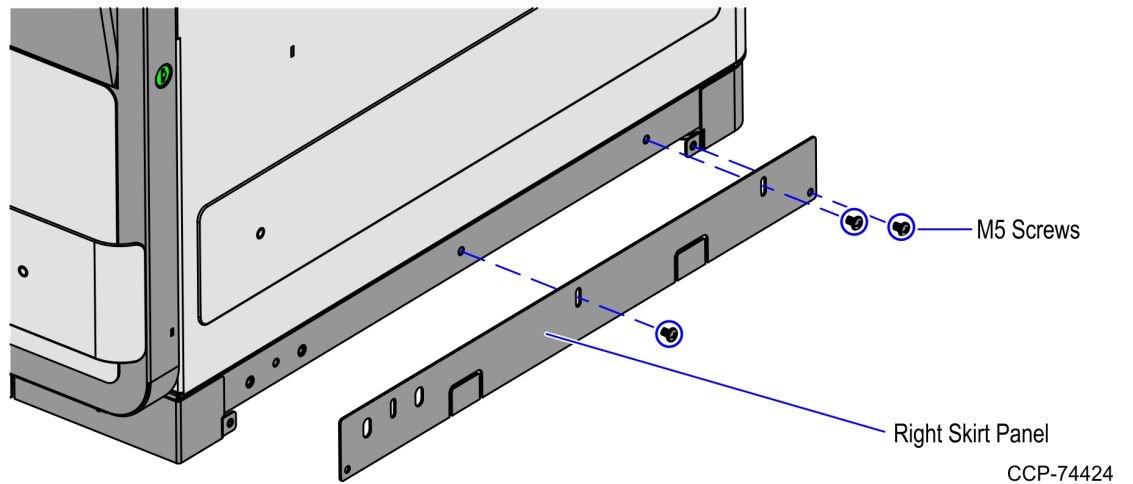
Front Skirt Panel

CCP-74423

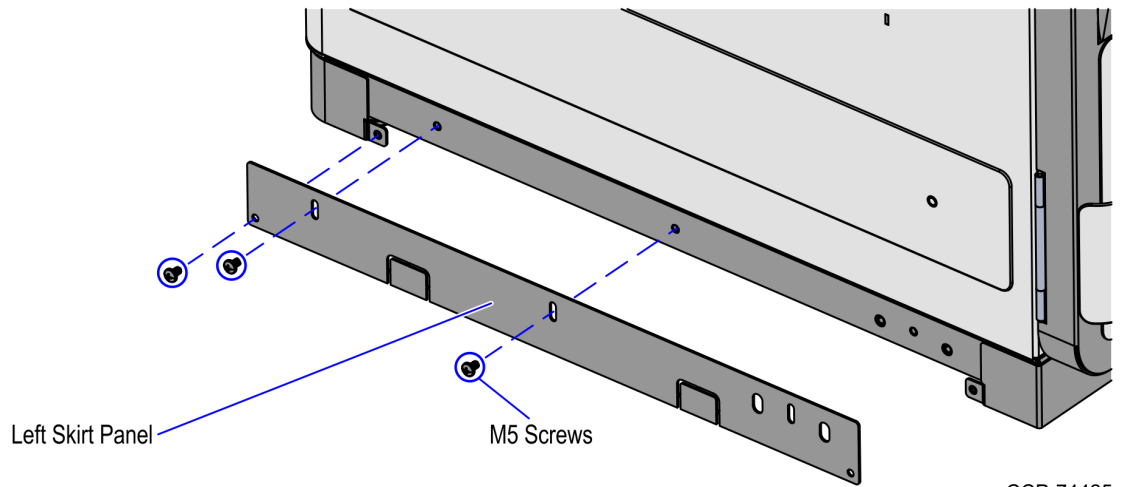
2. Install the Rear Skirt Panel using two M5 screws as shown in the image below.



3. Install the Right Skirt Panel using three M5 Screws as shown in the image below.



4. Install the Left Skirt Panel using three M5 Screws as shown in the image below.

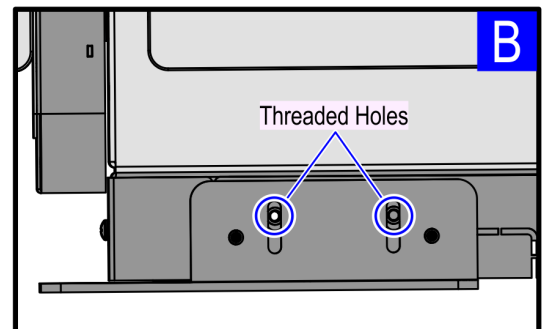
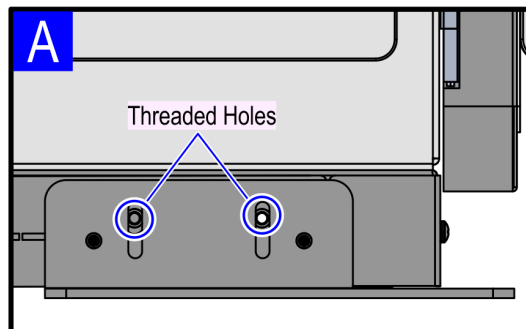
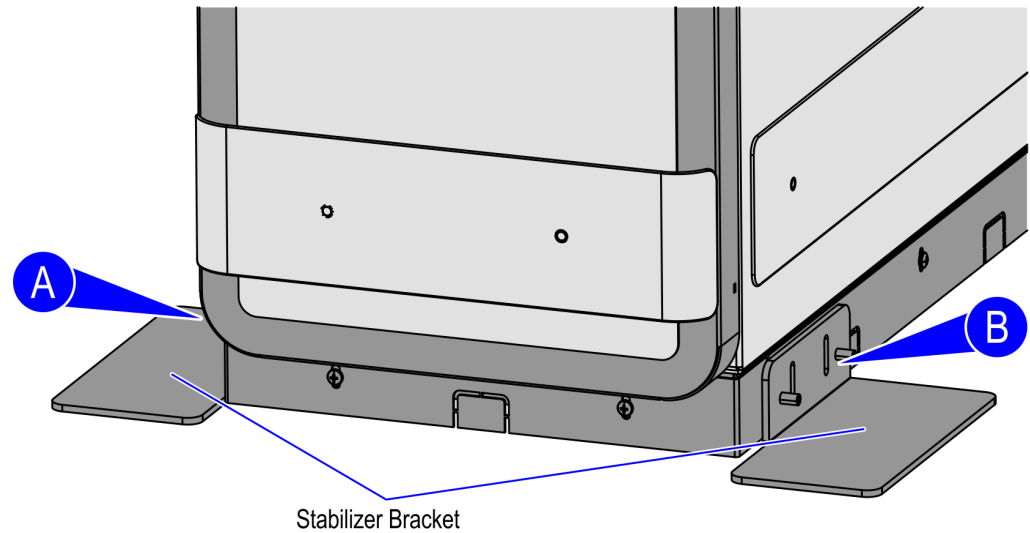


5. Install the Stabilizer Brackets on each side of the unit. For more information, refer to [Installing Stabilizer Brackets](#) on the next page.

Installing Stabilizer Brackets

To install Stabilizer Brackets on both sides of the NCR SelfServ™ Checkout (7707) unit, follow these steps:

1. Install the Core Skirt Panels if necessary. For more information, refer to [Installing Core Skirt Panels](#) on page 3.
2. Place the Stabilizer Brackets on each side of the unit and align the slots with the threaded holes of the unit as shown in the image below.

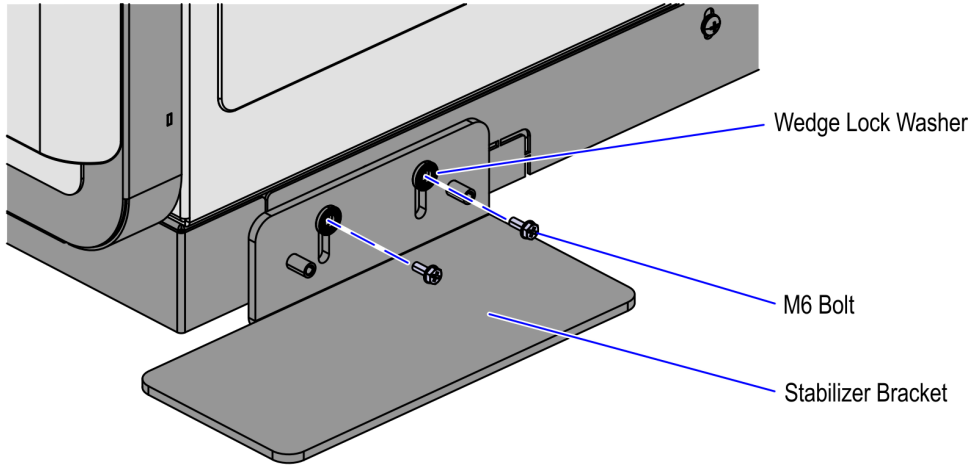


3. Fasten each Stabilizer Bracket using two M6 Bolts with wedge lock washers as shown below.

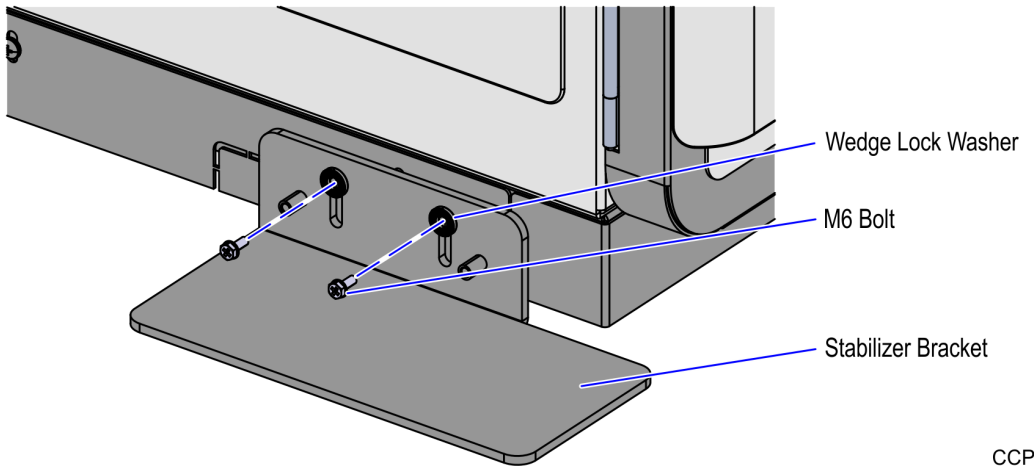


Note: The wedge lock washer locks the bolt in place.

Right Side



Left Side



- 4. Cover each Stabilizer Bracket by doing the following:
 - a. Align the holes of the cover with the corresponding studs on the Stabilizer Bracket.
 - b. Secure each Stabilizer Bracket Cover using two M5 Flat Screws.

