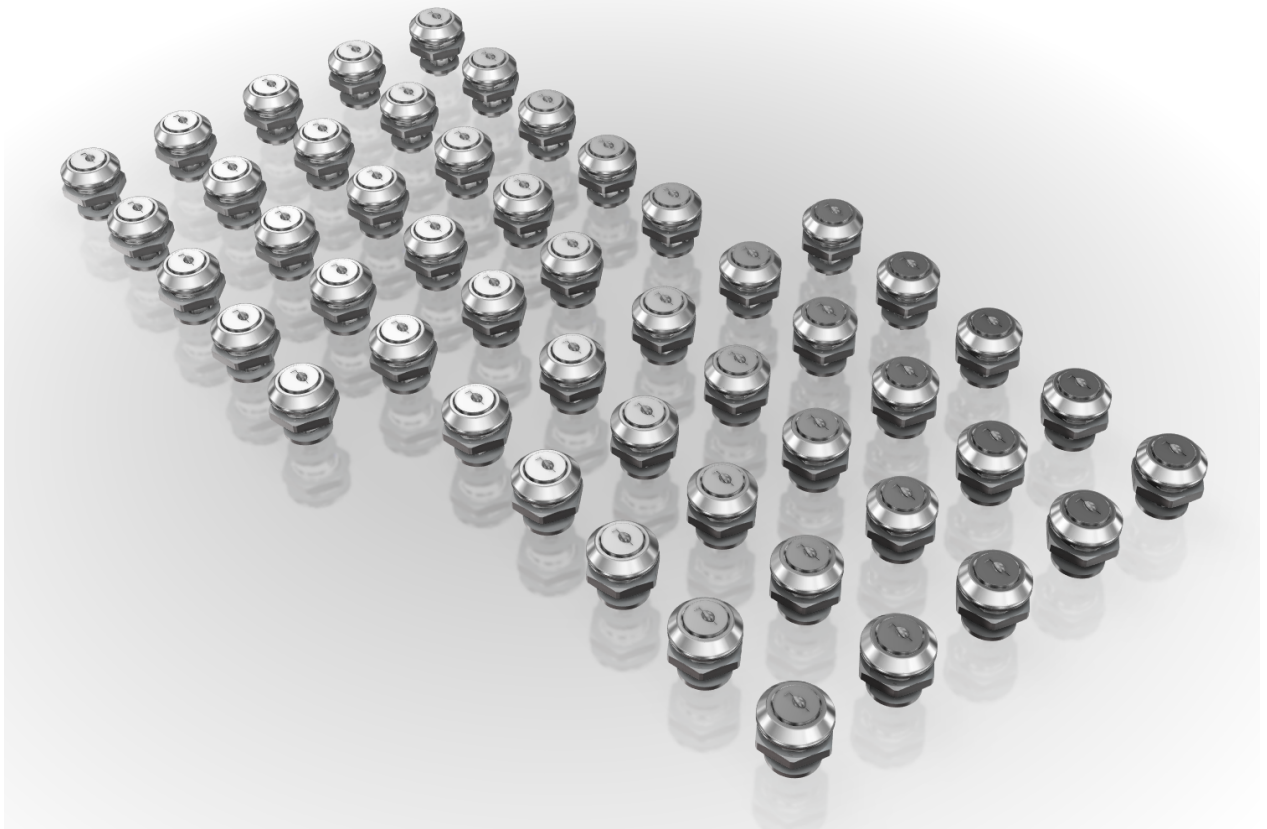


Kit Instructions

Japan Core Lock (Key Lock)



7707-K900
Issue A



The product described in this document is a licensed product of NCR Corporation.

NCR is a registered trademark of NCR Corporation. NCR SelfServ™ Checkout is a trademark of NCR Corporation in the United States and/or other countries. Other product names mentioned in this publication may be trademarks or registered trademarks of their respective companies and are hereby acknowledged.

Where creation of derivative works, modifications or copies of this NCR copyrighted documentation is permitted under the terms and conditions of an agreement you have with NCR, NCR's copyright notice must be included.

It is the policy of NCR Corporation (NCR) to improve products as new technology, components, software, and firmware become available. NCR, therefore, reserves the right to change specifications without prior notice.

All features, functions, and operations described herein may not be marketed by NCR in all parts of the world. In some instances, photographs are of equipment prototypes. Therefore, before using this document, consult with your NCR representative or NCR office for information that is applicable and current.

To maintain the quality of our publications, we need your comments on the accuracy, clarity, organization, and value of this book. Please use the link below to send your comments.

Email: FD230036@ncr.com

Copyright © 2019
By NCR Corporation
864 Spring St. NW
Atlanta, GA 30308
United States
All Rights Reserved

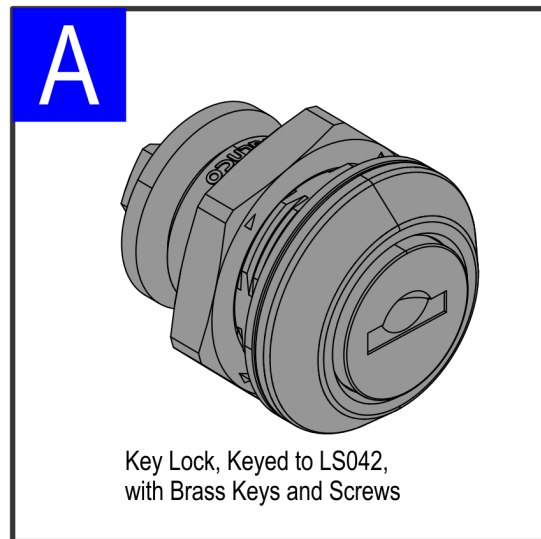
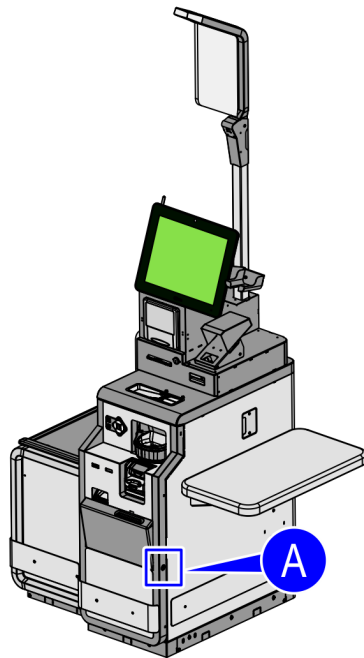
Revision Record

Issue	Date	Remarks
A	Apr 2019	First Issue

Japan Core Lock (Key Lock)

This publication provides procedures for replacing the Key Lock of the NCR SelfServ™ Checkout (7707) R6-Japan.

Kit Contents



CCP-76176

Part Number	Description
497-0524934	Kit - Japan Lock Core Combination (Key Lock)
006-8627467	Key Lock, Keyed to LS042, With Brass Keys and Screws, 50 pcs
* 497-9999542	12" x 12" x 4" Corrugated Carton
* 497-0423108	Instructions-Kit (Reference Sheet)

* Items marked with an asterisk are not called out on the image.

Installation Procedures

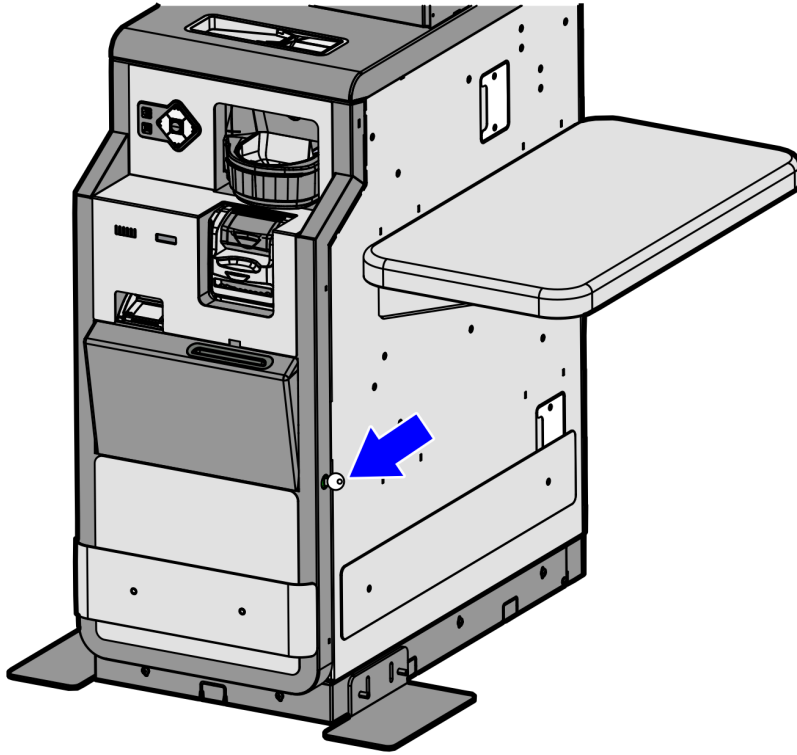
Replacing the Key Lock of the R6-Japan involves the following procedures:

- [Removing Key Lock](#) on the next page.
- [Installing Key Lock](#) on page 9.

Removing Key Lock

To remove the Key Lock from the NCR SelfServ™ Checkout (7707) unit, follow these steps:

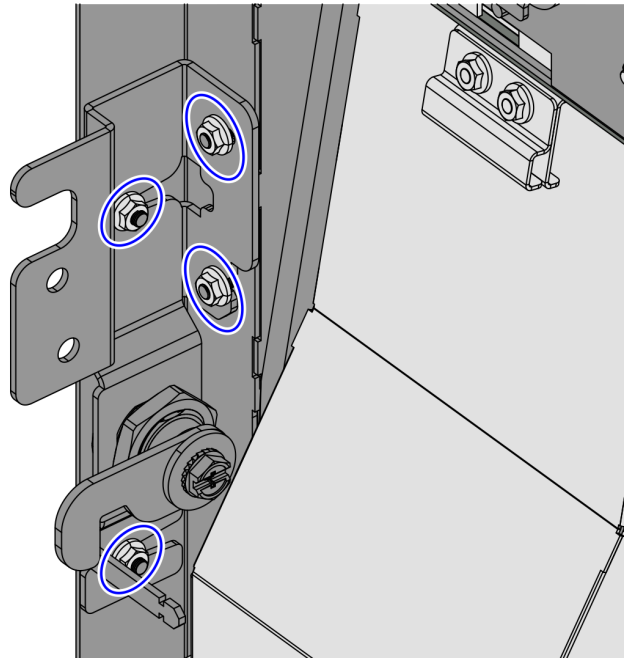
1. Unlock and open the R6-Japan Cabinet Door, using a key.



2. Remove four (4) nuts securing the Key Lock bracket assembly on the door frame, as shown in the image below.



Note: Set aside the screws for installation.

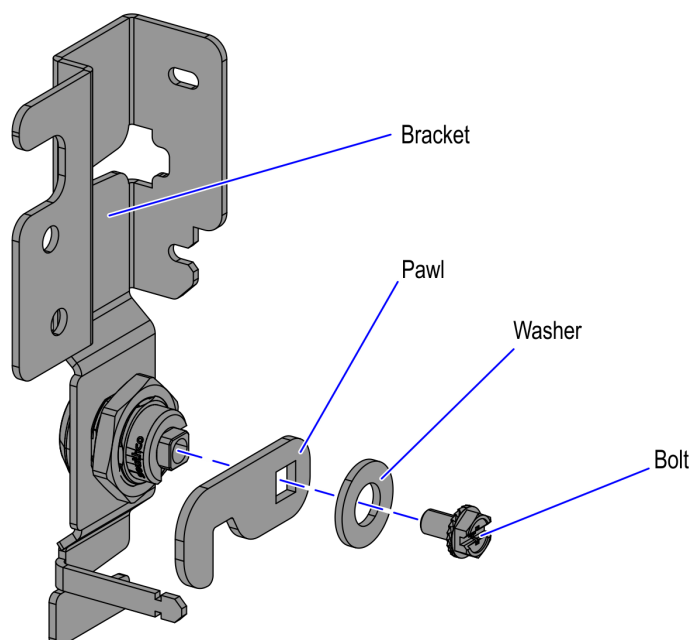


CCP-76193

3. Do the following:
 - a. Remove the washer and bolt securing the pawl to the Key Lock, as shown in the image below.



Note: Set aside the washer, bolt and pawl for installation.

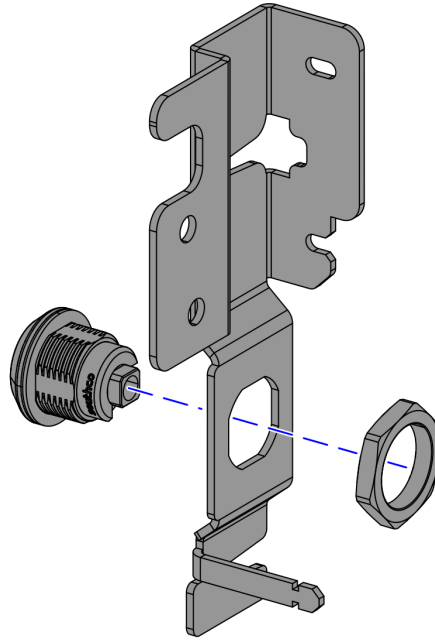


CCP-76195

- b. Remove the nut securing the Key Lock to the bracket, as shown in the image below.



Note: Set aside the bracket for installation.



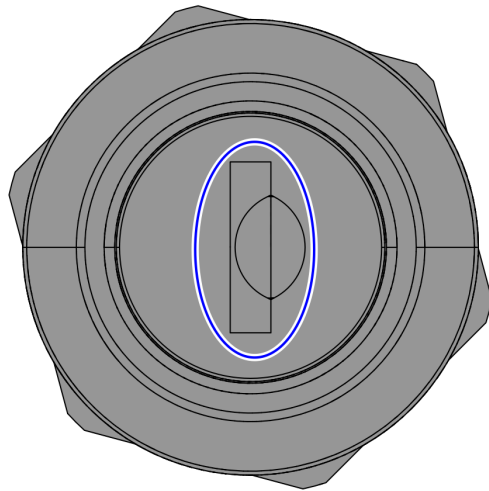
CCP-76194

To install a new Key Lock, refer to [Installing Key Lock](#) on the facing page.

Installing Key Lock

To install a new Key Lock on the NCR SelfServ™ Checkout (7707) unit involves the following procedures:

1. Remove the existing Key Lock, if necessary. For more information, refer to [Removing Key Lock](#) on page 6.
2. Do the following:
 - a. Position the Key Lock to its "Normally Close" position. Ensure that the depressed cavity of the Key Lock is on the right side, as shown in the image below.

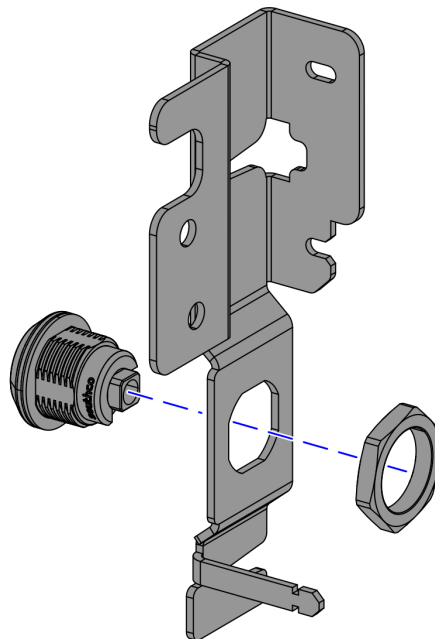


CCP-76198

- b. Insert the Key Lock into the bracket and then secure using a nut, as shown in the image below.



Note: Reuse the existing bracket set aside during removal of Key Lock.

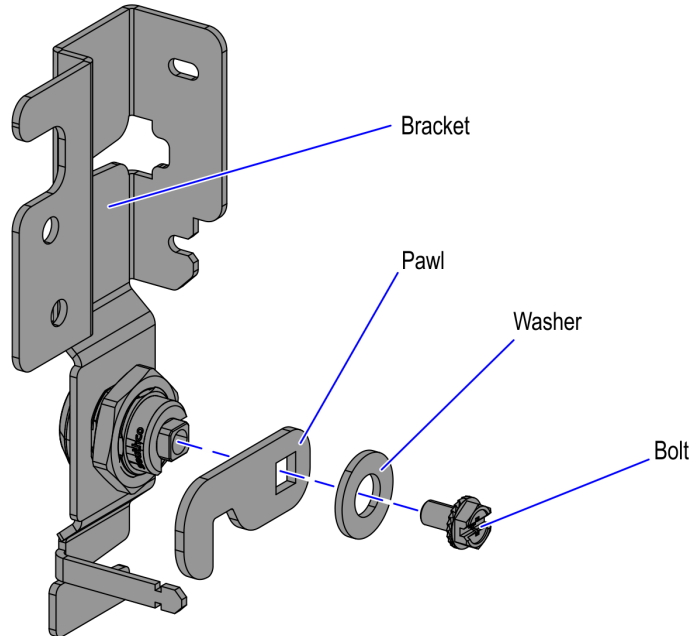


CCP-76194

- c. Secure the pawl on the Key Lock using a washer and bolt, as shown in the image below.



Note: Reuse the existing pawl, washer and bolt set aside during removal of Key Lock.

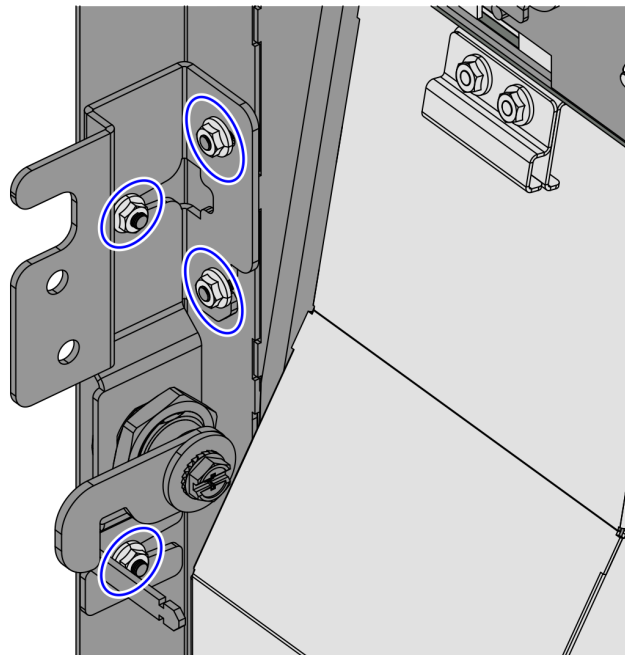


CCP-76195

3. Mount the Key Lock assembly on the mounting hole and then secure using four (4) nuts.



Note: Reuse the screws set aside during removal of Key Lock.



CCP-76193