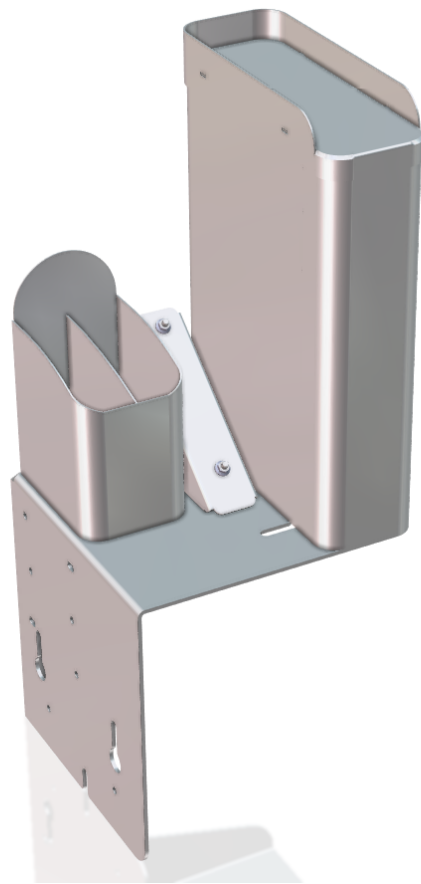


Kit Instructions

Japan Goods Shelf



7707-K851
Issue A



The product described in this document is a licensed product of NCR Corporation.

NCR is a registered trademark of NCR Corporation. NCR SelfServ™ Checkout is a trademark of NCR Corporation in the United States and/or other countries. Other product names mentioned in this publication may be trademarks or registered trademarks of their respective companies and are hereby acknowledged.

The terms HDMI and HDMI High-Definition Multimedia Interface, and the HDMI Logo are trademarks or registered trademarks of HDMI Licensing LLC in the United States and other countries.

Where creation of derivative works, modifications or copies of this NCR copyrighted documentation is permitted under the terms and conditions of an agreement you have with NCR, NCR's copyright notice must be included.

It is the policy of NCR Corporation (NCR) to improve products as new technology, components, software, and firmware become available. NCR, therefore, reserves the right to change specifications without prior notice.

All features, functions, and operations described herein may not be marketed by NCR in all parts of the world. In some instances, photographs are of equipment prototypes. Therefore, before using this document, consult with your NCR representative or NCR office for information that is applicable and current.

To maintain the quality of our publications, we need your comments on the accuracy, clarity, organization, and value of this book. Please use the link below to send your comments.

Email: FD230036@ncr.com

Copyright © 2018
By NCR Corporation
Duluth, GA U.S.A.
All Rights Reserved

Revision Record

Issue	Date	Remarks
A	Jun 2018	First Issue

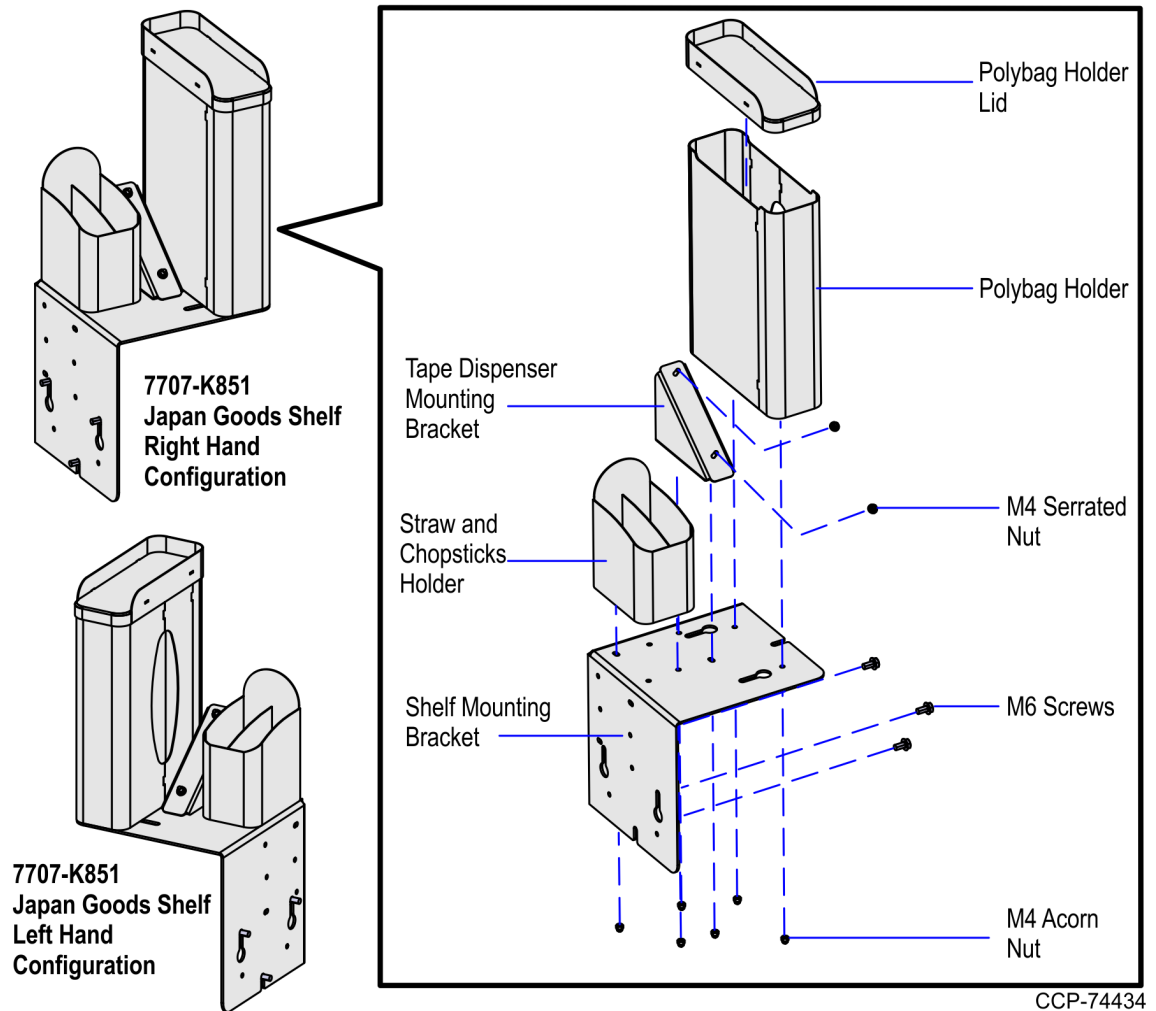
Japan Goods Shelf

This publication provides procedures for installing Japan Good Shelf on the NCR SelfServ™ Checkout (7707) unit.

The NCR SelfServ™ Checkout (7707) R6-Japan with a Bagging Area (Bagwell) Module can be configured for either Left-hand (LH) orientation or Right-hand (RH) orientation, which refers to the direction customers scan and bag items.

- **Left-hand (LH) orientation**—Customers scan from left to right.
- **Right-hand (RH) orientation**—Customers scan from right to left.

Kit Contents



Part Number	Description
497-0520402	7707-K851 Japan Goods Shelf
795-0256801	Shelf Mounting Bracket
795-0260001	Straw and Chopsticks Holder
795-0256901	Polybag Holder
795-0257001	Polybag Holder Lid
795-0257201	Tape Dispenser Mounting Bracket
009-0006599	M6 Screws (3pcs)
006-8624472	M4 Acorn Nut (6pcs)
009-0007087	M4 Serrated Nut (2pcs)

Installation Procedures

The Japan Goods Shelf can be installed on a Left-hand or Right-hand configuration. To install the Japan Goods Shelf, follow these steps:



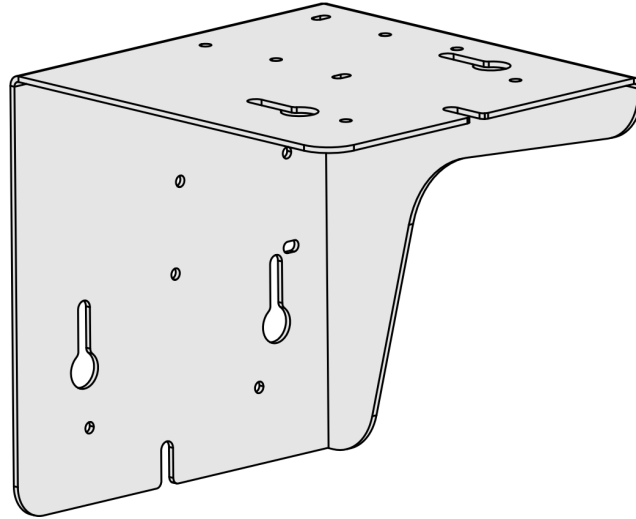
Note: This procedure provides instructions for installing the kit on a Right-hand configuration only as an example.

- A. Assembling the Japan Goods Shelf. For more information, refer to [Assembling Japan Goods Shelf](#) on the next page.
- B. Installing Japan Goods Shelf on the NCR SelfServ™ Checkout (7707) unit. For more information, refer to [Installing Japan Goods Shelf](#) on page 7.

Assembling Japan Goods Shelf

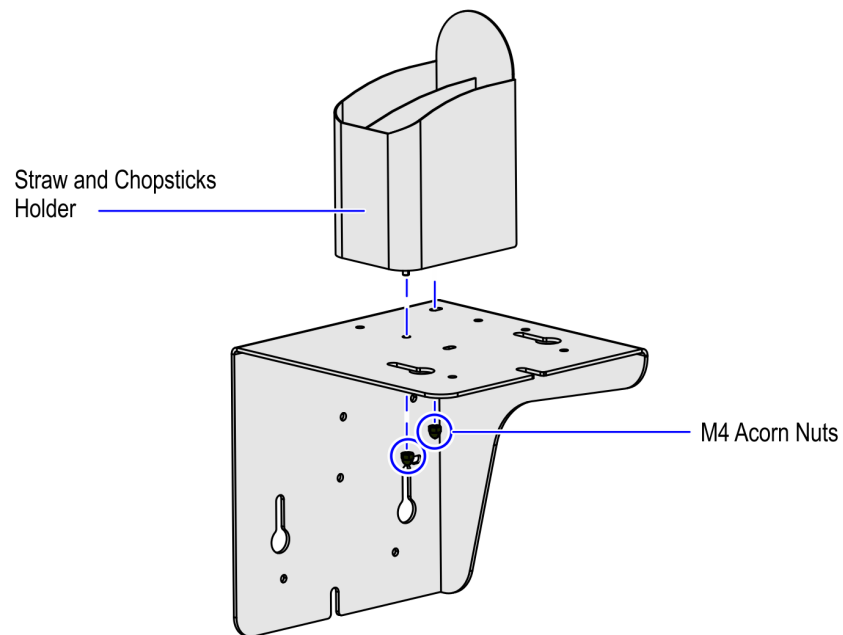
To assemble the Japan Goods Shelf, follow these steps:

1. Position the Shelf Mounting Bracket as shown in the image below.



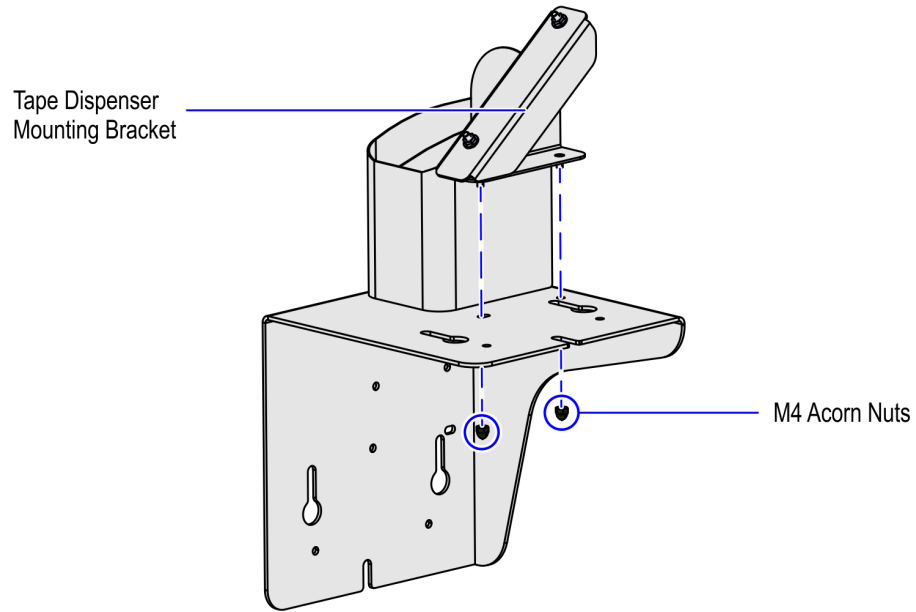
CCP-74435

2. Attach the Straw and Chopsticks Holder to the shelf mounting bracket using two M4 Acorn Nuts.



CCP-74436

3. Attach the Tape Dispenser Mounting Bracket on the shelf mounting bracket using two M4 Acorn Nuts.

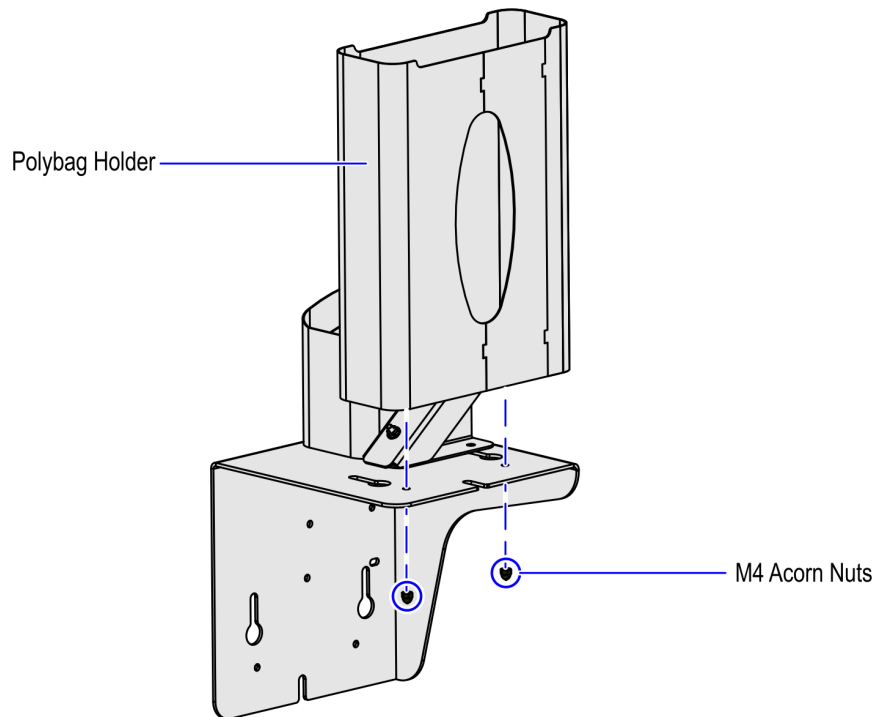


CCP-74437



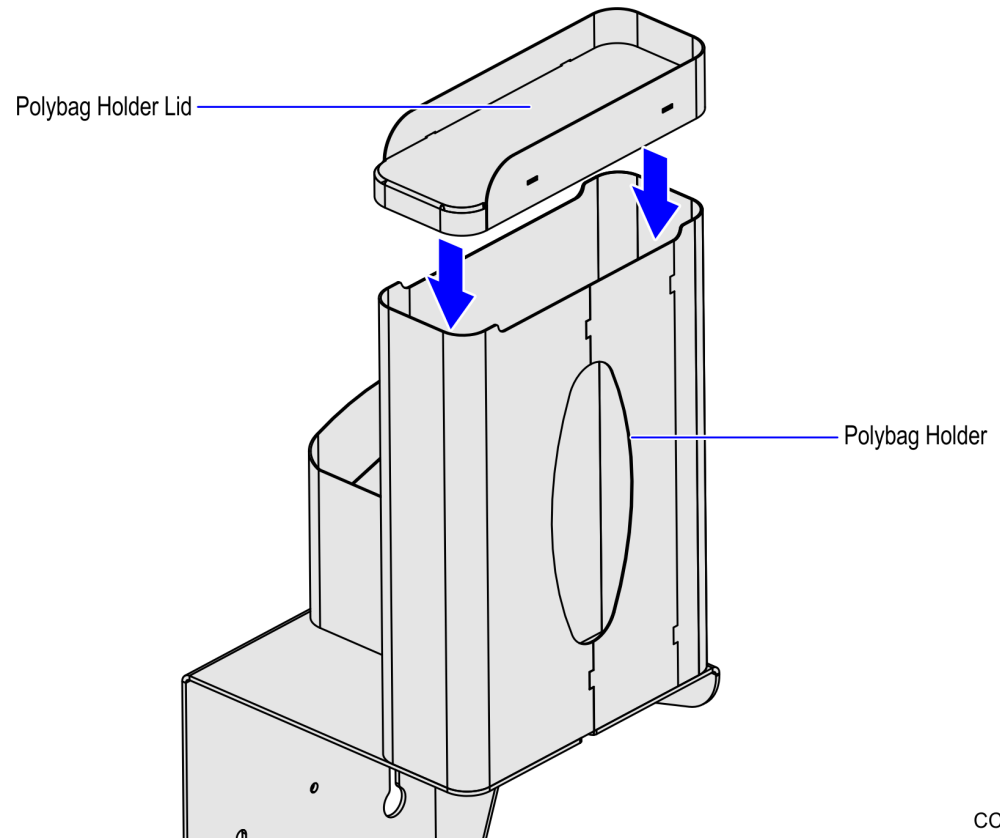
Note: The Straw and Chopsticks Holder and Tape Dispenser Mounting Bracket can be swapped depending on customer preference.

4. Attach the Polybag Holder on the shelf mounting bracket using two M4 Acorn Nuts.



CCP-74438

5. Place the Polybag Holder Lid on top of the polybag holder as shown in the image below.

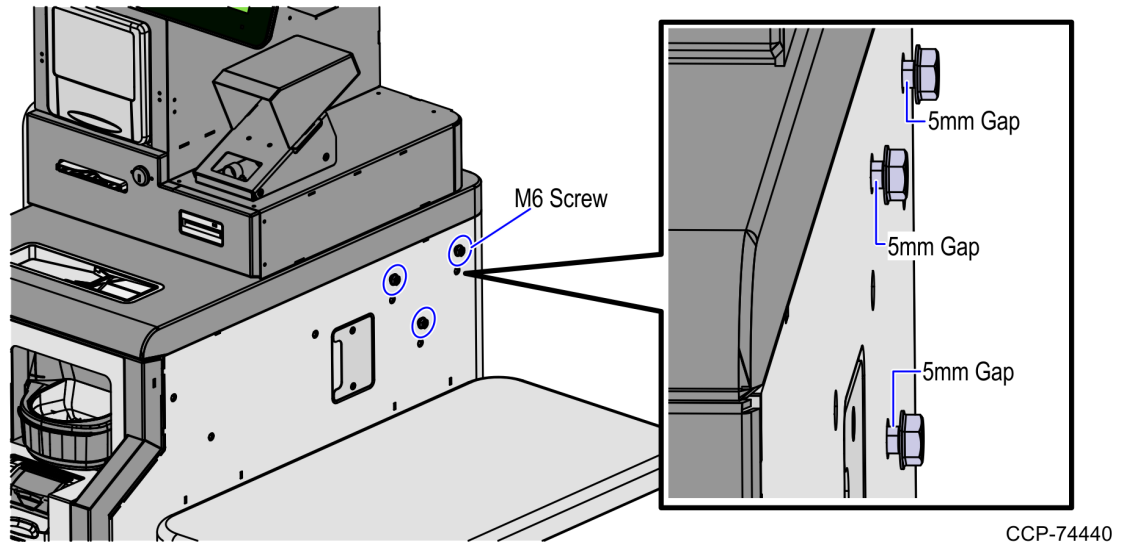


6. Install the Japan Goods Shelf in to the NCR SelfServ™ Checkout (7707). For more information, refer to [Installing Japan Goods Shelf](#) on the facing page.

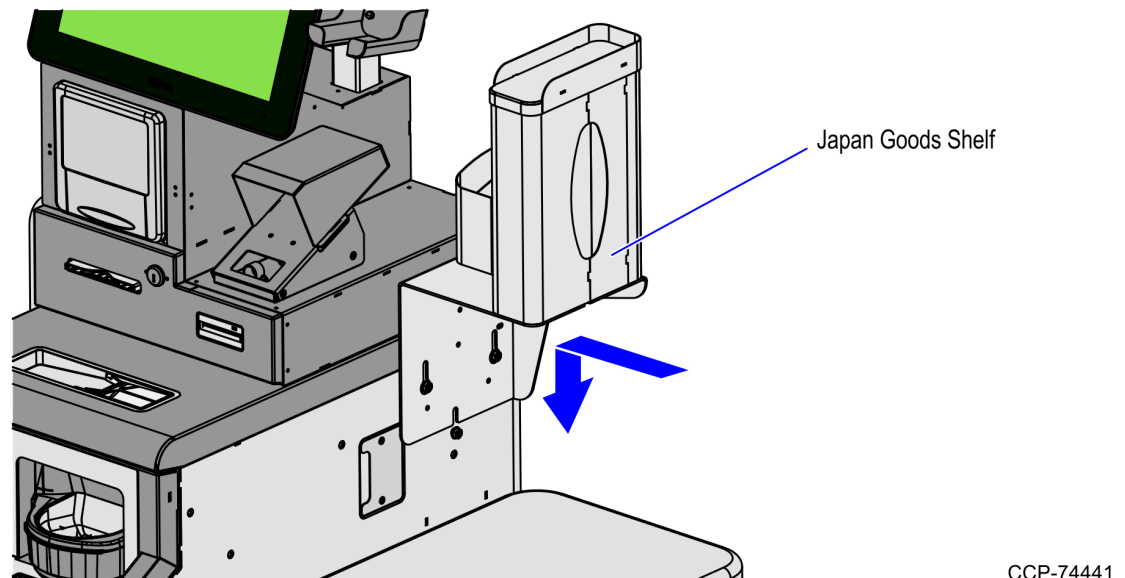
Installing Japan Goods Shelf

To install Japan Goods Shelf on the NCR SelfServ™ Checkout (7707) unit, follow these steps:

1. Assemble the Japan Goods Shelf. For more information, refer to [Assembling Japan Goods Shelf](#) on page 4
2. On the side of the Core Cabinet, assemble three M6 Screws and leave about 5mm gap when screwing down.



3. Align the Japan Goods Shelf slots with the corresponding M6 Screws and then slide the shelf down onto screws.



4. Tighten all three screws to secure the shelf to the unit.