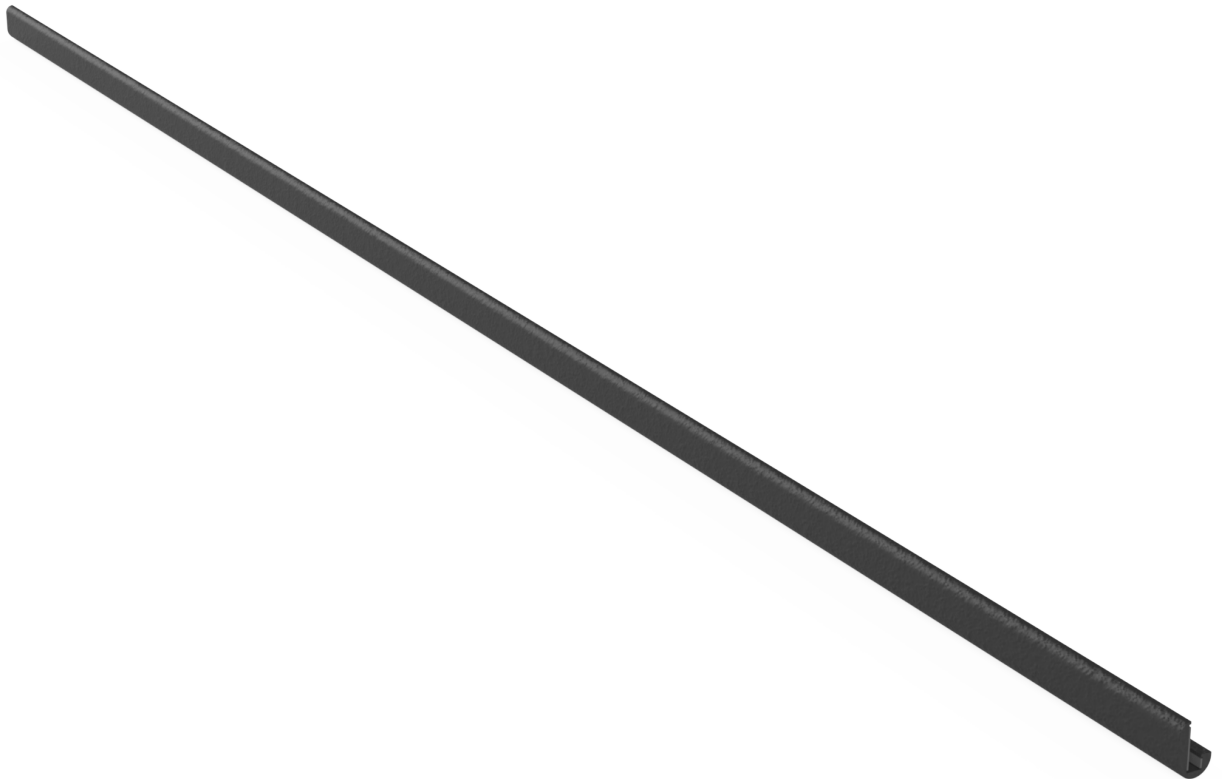


Kit Instructions

Input Shelf Protector



7707-K475
Issue B



The product described in this document is a licensed product of NCR Corporation.

NCR is a registered trademark of NCR Corporation. NCR SelfServ™ Checkout is a trademark of NCR Corporation in the United States and/or other countries. Other product names mentioned in this publication may be trademarks or registered trademarks of their respective companies and are hereby acknowledged.

Where creation of derivative works, modifications or copies of this NCR copyrighted documentation is permitted under the terms and conditions of an agreement you have with NCR, NCR's copyright notice must be included.

It is the policy of NCR Corporation (NCR) to improve products as new technology, components, software, and firmware become available. NCR, therefore, reserves the right to change specifications without prior notice.

All features, functions, and operations described herein may not be marketed by NCR in all parts of the world. In some instances, photographs are of equipment prototypes. Therefore, before using this document, consult with your NCR representative or NCR office for information that is applicable and current.

To maintain the quality of our publications, we need your comments on the accuracy, clarity, organization, and value of this book. Please use the link below to send your comments.

Email: FD230036@ncr.com

Copyright © 2021
By NCR Corporation
864 Spring St. NW
Atlanta, GA 30308
United States
All Rights Reserved

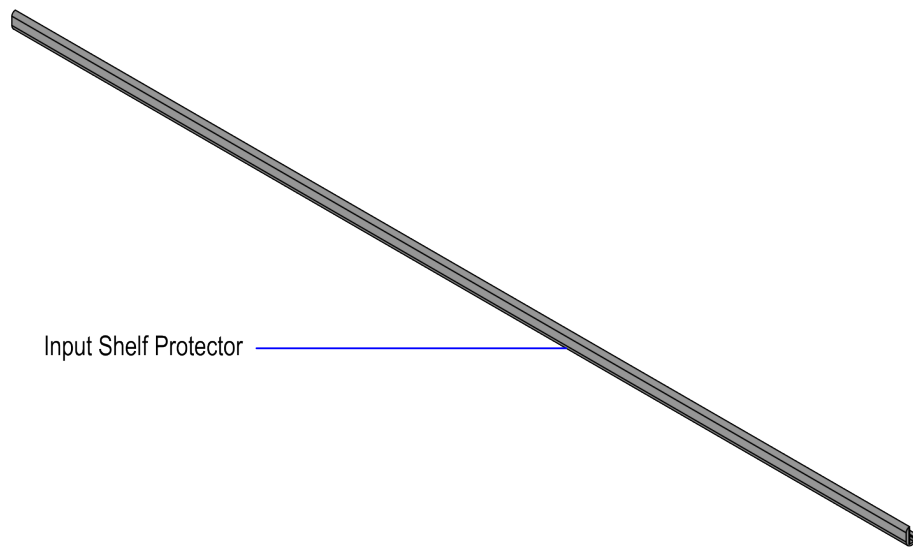
Revision Record

Issue	Date	Remarks
A	Feb 2019	First Issue
B	Jul 2021	<ul style="list-style-type: none">• Updated Kit Contents• Updated Installation Procedure

Input Shelf Protector

This publication provides procedures for installing rubber bumpers on the sharp edges of the Input Shelf. These rubber bumpers protect customers from injuries that the edges may cause.

Kit Contents



CCP-76112

Part Number	Description
497-0524681	7707-K475 Input Shelf Protector
497-0530059	Protector - Input Shelf Bracket
* 497-0423108	Instructions - Kit (Reference Sheet)

* Items marked with an asterisk are not called out on the image.

Installation Procedure

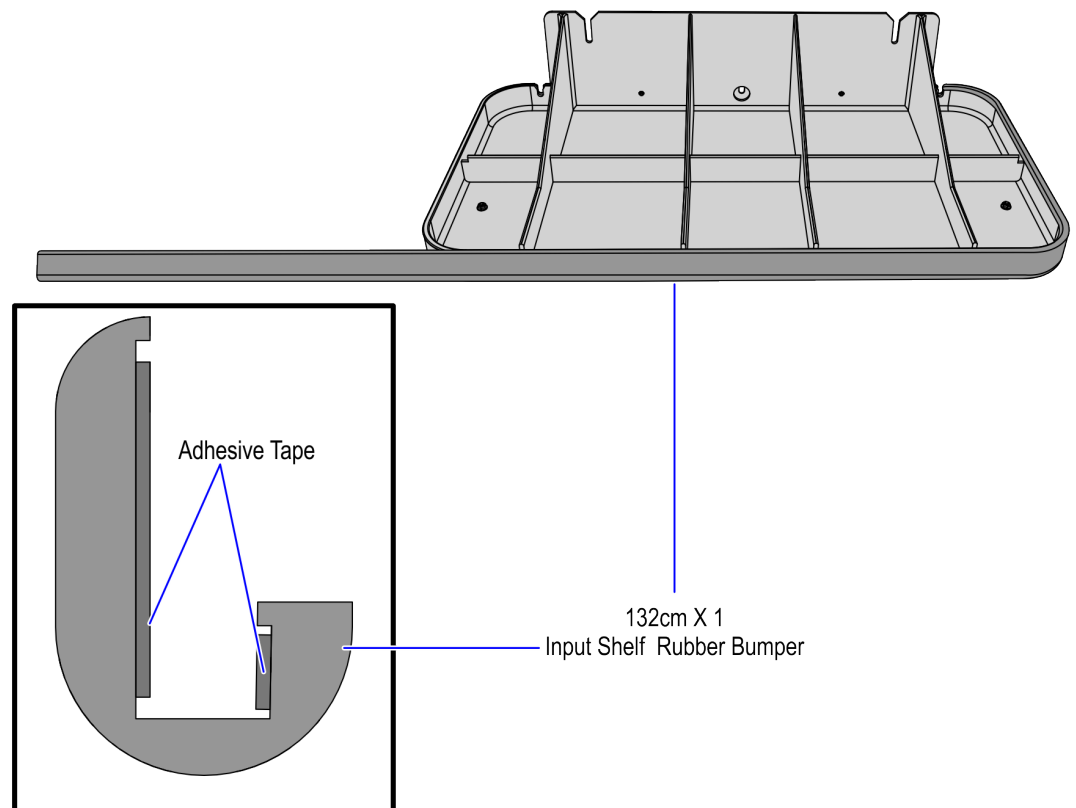
To install the rubber bumper on the Input Shelf, follow these steps:

1. Peel off the adhesive tape cover from the end portion of the rubber bumper. The adhesive tape is used to ensure that the rubber bumper is securely attached to the edge of the Input Shelf.

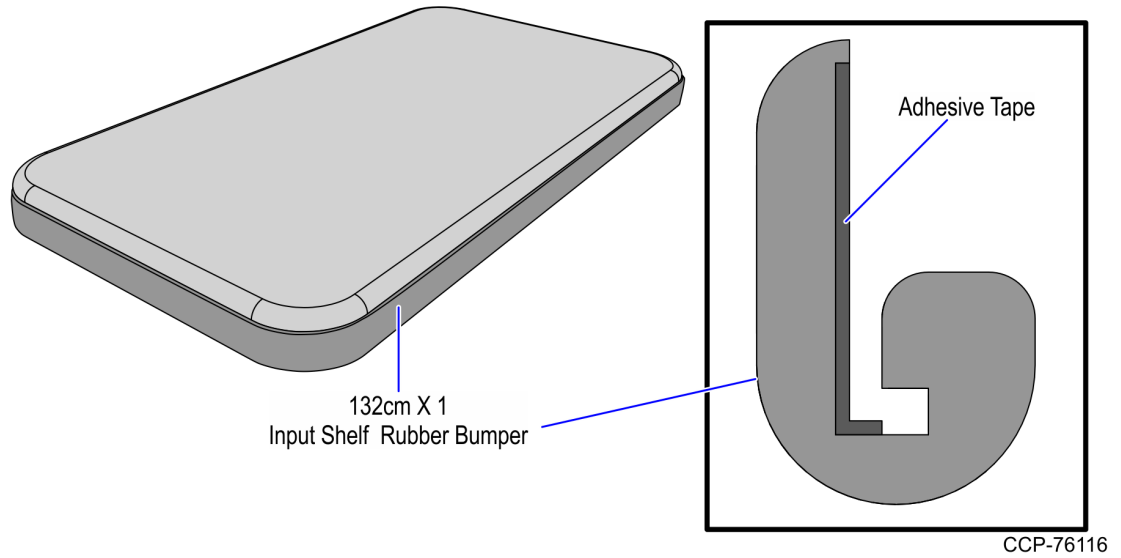


Tip: To prevent the rubber from sticking on other areas of the Input Shelf, do not completely remove the adhesive tape cover.

2. Slowly slide the rubber bumper along the bottom edge of the Input Shelf corner, as shown in the image below.



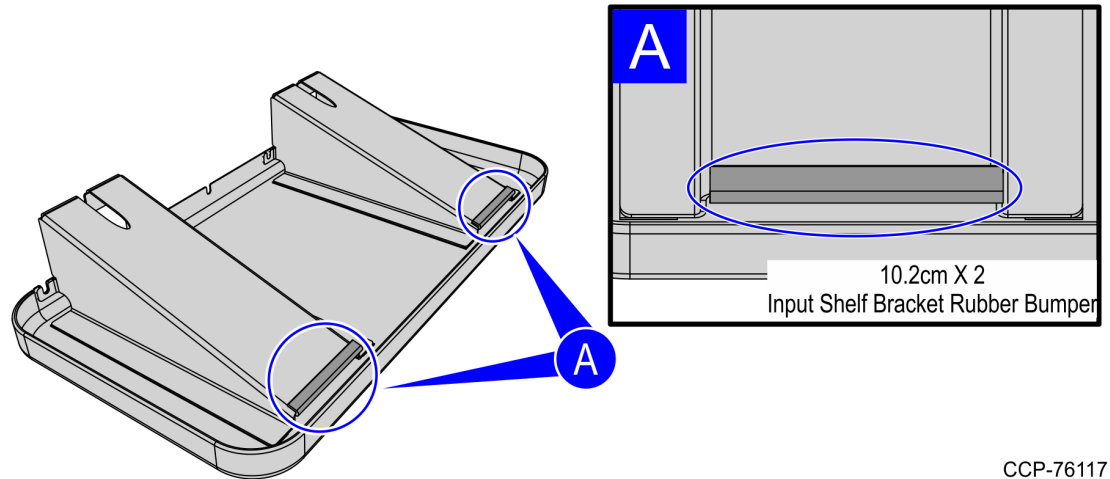
3. Continue to alternately peel adhesive tape cover and slide the rubber bumper until the bottom edge of the Input Shelf is completely covered with the rubber bumper.
4. Press the rubber bumper to ensure that it is firmly glued to the bottom edge of the Input Shelf.



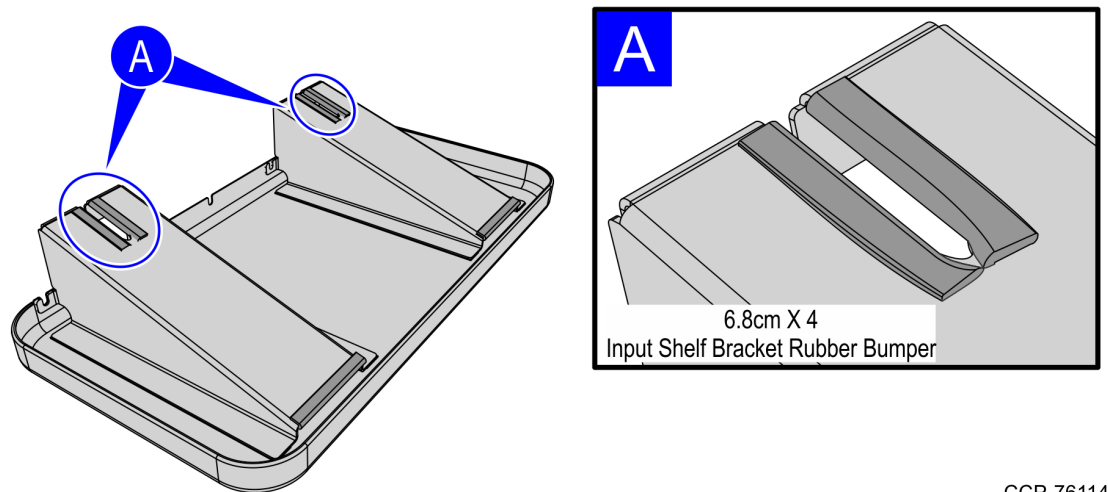
Installing Rubber Bumpers on Input Shelf Bracket

To install the rubber bumpers on the Input Shelf Bracket, follow these steps:

1. On the straight edge of each Input Shelf Bracket, slide a 10.2 cm rubber bumper, as shown in the image below.



2. On the slotted edge of each Input Shelf Bracket, insert two (2) 6.8 cm rubber bumpers on each edge of a slot, as shown in the image below.



Installing Rubber Bumper on Input Shelf

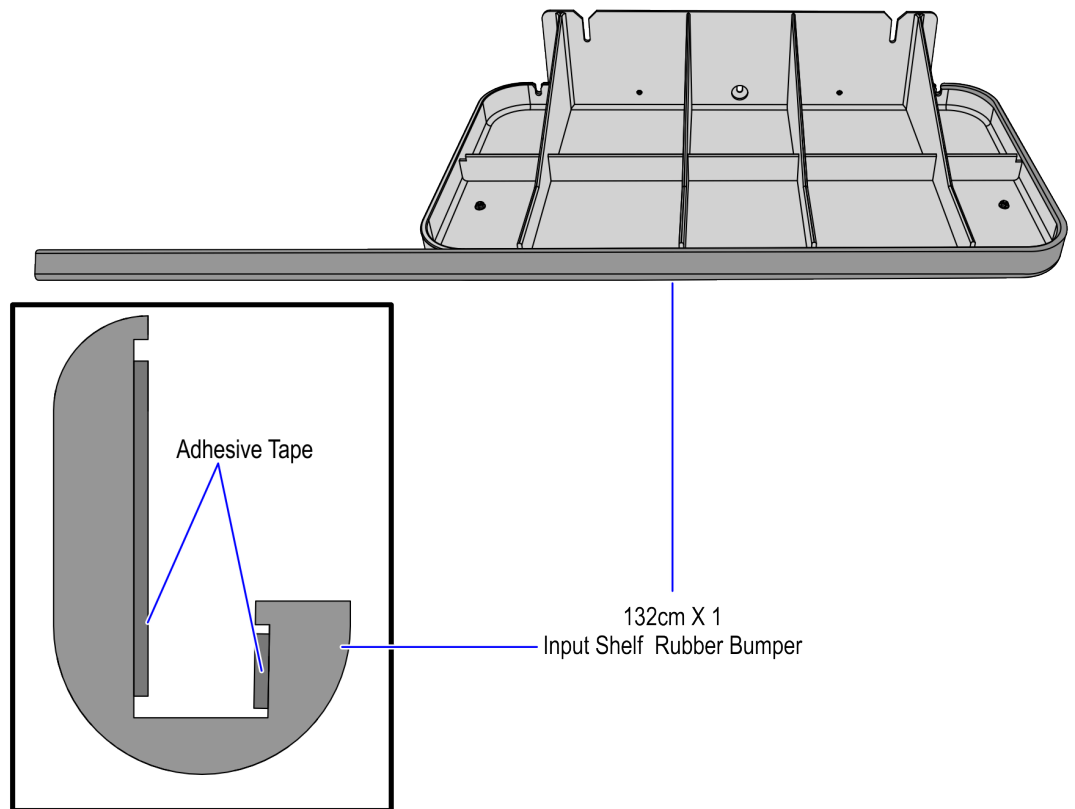
To install the rubber bumpers on the Input Shelf, follow these steps:

1. Peel off the adhesive tape cover from the end portion of the rubber bumper. The adhesive tape is used to ensure that the rubber bumper is securely attached to the edge of the Input Shelf.



Tip: To prevent the rubber from sticking on other areas of the Input Shelf, do not completely remove the adhesive tape cover.

2. Slowly slide the rubber bumper along the bottom edge of the Input Shelf corner, as shown in the image below.



3. Continue to alternately peel adhesive tape cover and slide the rubber bumper until the bottom edge of the Input Shelf is completely covered with the rubber bumper.
4. Press the rubber bumper to ensure that it is firmly glued to the bottom edge of the Input Shelf.

