

Kit Instructions

Japan Bag Rack with Arm Flap



7707-K461
Issue A



The product described in this document is a licensed product of NCR Corporation.

NCR is a registered trademark of NCR Corporation. NCR SelfServ™ Checkout is a trademark of NCR Corporation in the United States and/or other countries. Other product names mentioned in this publication may be trademarks or registered trademarks of their respective companies and are hereby acknowledged.

The terms HDMI and HDMI High-Definition Multimedia Interface, and the HDMI Logo are trademarks or registered trademarks of HDMI Licensing LLC in the United States and other countries.

Where creation of derivative works, modifications or copies of this NCR copyrighted documentation is permitted under the terms and conditions of an agreement you have with NCR, NCR's copyright notice must be included.

It is the policy of NCR Corporation (NCR) to improve products as new technology, components, software, and firmware become available. NCR, therefore, reserves the right to change specifications without prior notice.

All features, functions, and operations described herein may not be marketed by NCR in all parts of the world. In some instances, photographs are of equipment prototypes. Therefore, before using this document, consult with your NCR representative or NCR office for information that is applicable and current.

To maintain the quality of our publications, we need your comments on the accuracy, clarity, organization, and value of this book. Please use the link below to send your comments.

Email: FD230036@ncr.com

Copyright © 2018
By NCR Corporation
Duluth, GA U.S.A.
All Rights Reserved

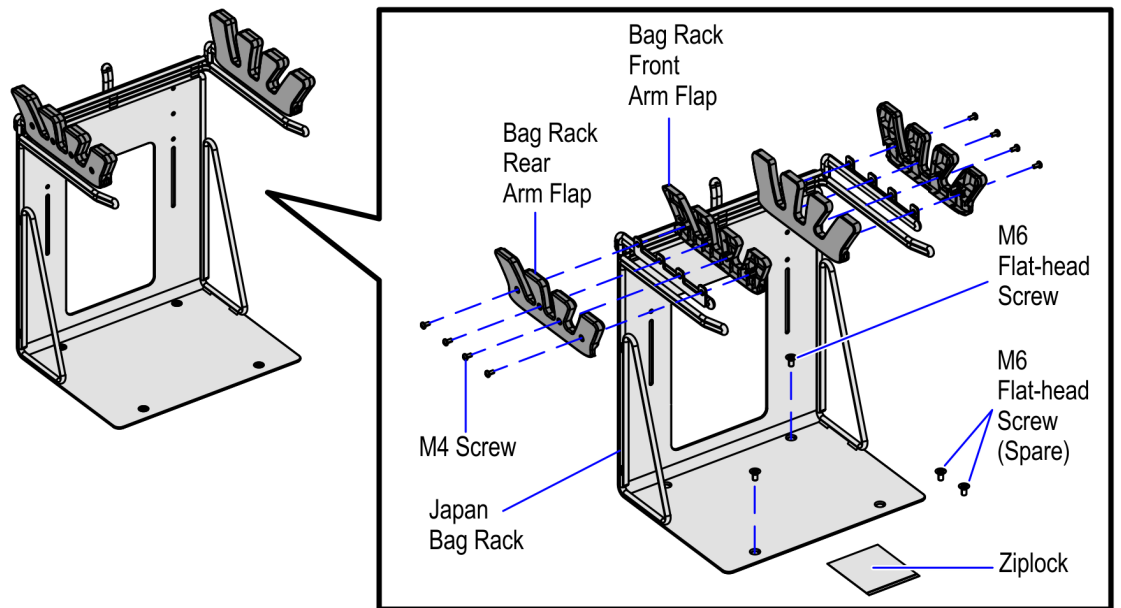
Revision Record

Issue	Date	Remarks
A	Jun 2018	First Issue

Japan Bag Rack with Arm Flap

This publication provides procedures for installing a Japan Bag Rack with Arm Flap on the Scale Tray of an NCR SelfServ™ Checkout (7707) R6-Japan unit.

Kit Contents



CCP-74442

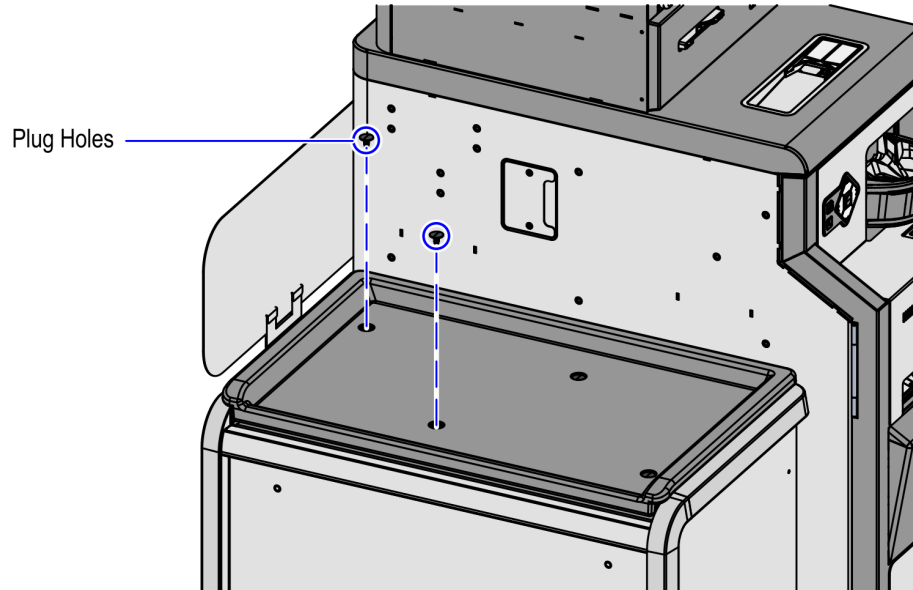
Part Number	Description
497-0510936	7707-K461 Japan Bag Rack with Arm Flap
497-0510866	Japan Bag Rack
497-0510803	Bag Rack Front Arm Flap
497-0510804	Bag Rack Rear Arm Flap
497-0470565	Ziplock
006-8615964	M4 Screw (8pcs)
007-7022141	M6 Flat-head Screw (4pcs)
* 497-0510987	Japan Bag Rack Packaging

* Items marked with an asterisk are not called out on the image.

Installation Procedure

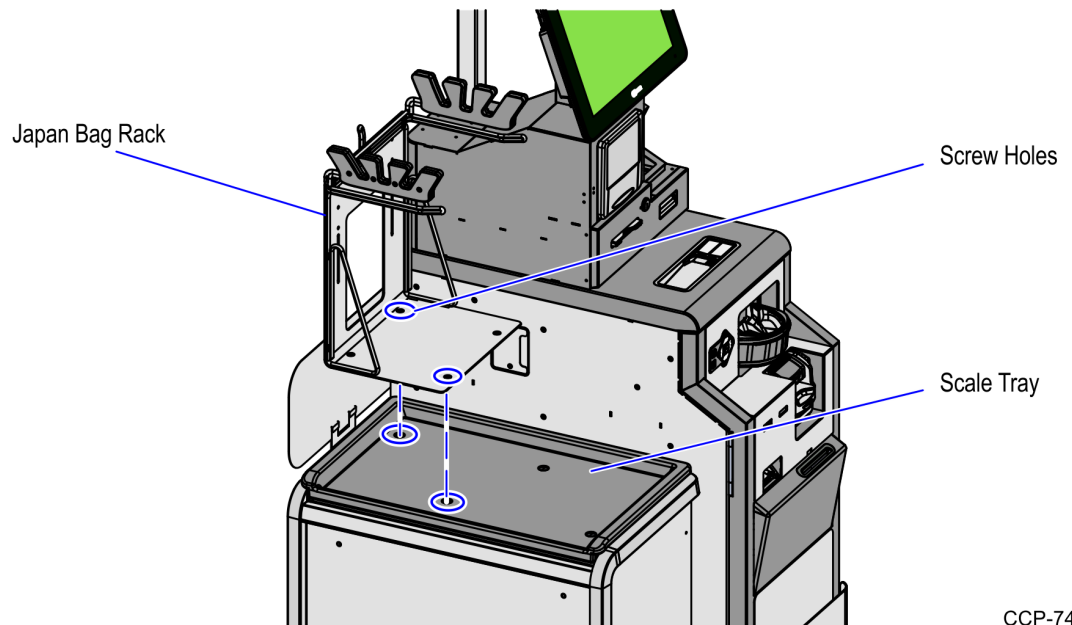
To install the Japan Bag Rack with Arm Flap on the Scale Tray of an R6-Japan unit, follow these steps:

1. Remove plug holes from the Scale Tray.



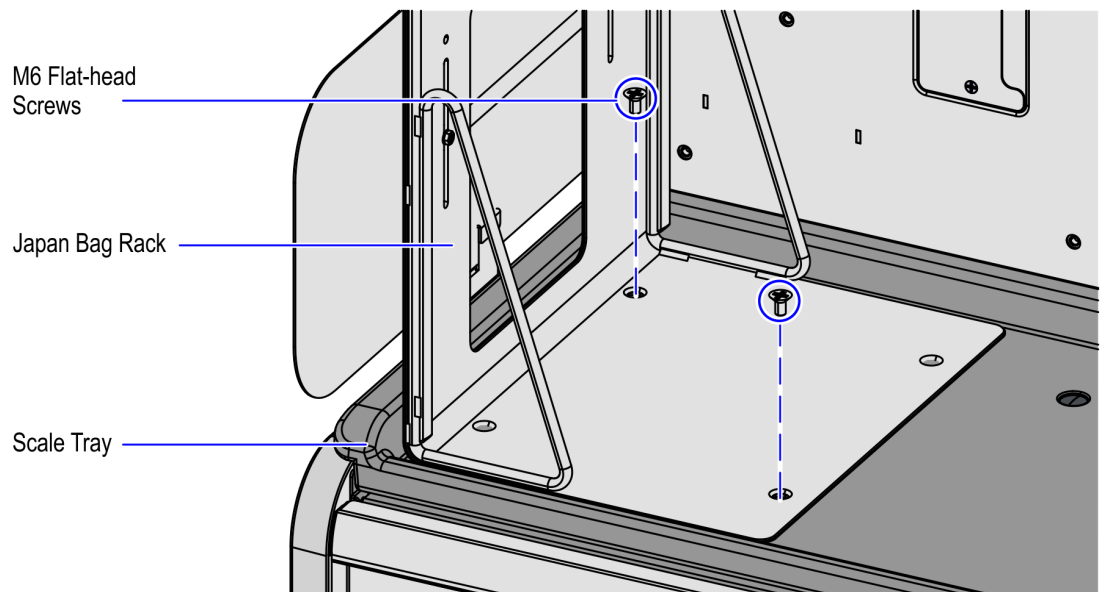
CCP-74449

2. Align the Japan Bag Rack with the two screw holes on the Scale Tray.



CCP-74452

3. Secure the Japan Bag Rack to the Scale Tray using two M6 Flat-head screws.



CCP-74451