

Kit Instructions

Panasonic JT-R600 E-Money Field Upgrade



7707-K401
Issue A



The product described in this document is a licensed product of NCR Corporation.

NCR is a registered trademark of NCR Corporation. NCR SelfServ™ Checkout is a trademark of NCR Corporation in the United States and/or other countries. Other product names mentioned in this publication may be trademarks or registered trademarks of their respective companies and are hereby acknowledged.

Where creation of derivative works, modifications or copies of this NCR copyrighted documentation is permitted under the terms and conditions of an agreement you have with NCR, NCR's copyright notice must be included.

It is the policy of NCR Corporation (NCR) to improve products as new technology, components, software, and firmware become available. NCR, therefore, reserves the right to change specifications without prior notice.

All features, functions, and operations described herein may not be marketed by NCR in all parts of the world. In some instances, photographs are of equipment prototypes. Therefore, before using this document, consult with your NCR representative or NCR office for information that is applicable and current.

To maintain the quality of our publications, we need your comments on the accuracy, clarity, organization, and value of this book. Please use the link below to send your comments.

Email: FD230036@ncr.com

Copyright © 2019
By NCR Corporation
864 Spring St. NW
Atlanta, GA 30308
United States
All Rights Reserved

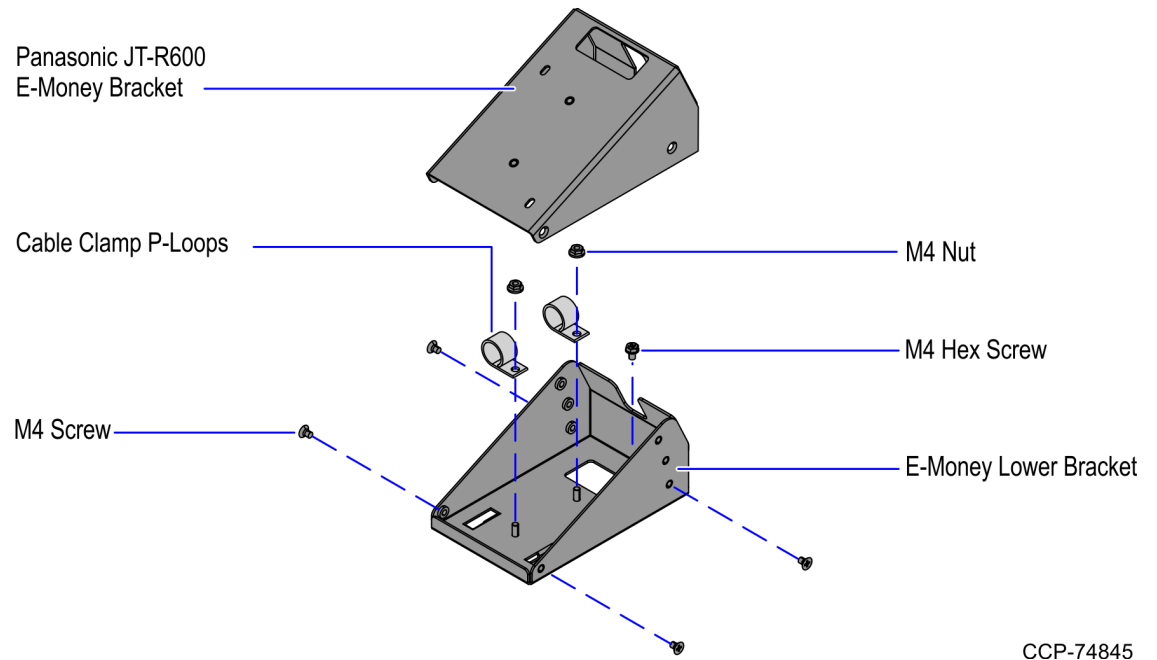
Revision Record

Issue	Date	Remarks
A	Jan 2019	First Issue

Panasonic JT-R600 E-Money Field Upgrade

This publication provides procedures for upgrading an NCR SelfServ™ Checkout (7707) R6-Japan unit with or without an existing E-Money Terminal – with a Panasonic JT-R600 E-Money Terminal.

Kit Contents



CCP-74845

Part Number	Description
497-0523899	7707-K401 Panasonic RT600 E-Money Field Upgrade
006-8616845	Cable Clamp P-Loops
007-7022120	M4 Screw (4pcs)
009-0006592	M4 Hex Screw (2pcs)
009-0007087	M4 Nut (2pcs)
795-0253701	E-Money Lower Bracket
795-0253901	Panasonic JT-R600 E-Money Bracket
* 497-9999619	X/XR7, 15 in POS/Display Carton (no stand)
* 497-0423108	Kit Instructions (Reference Sheet)

* Items marked with an asterisk are not called out on the image.

Installation Procedure

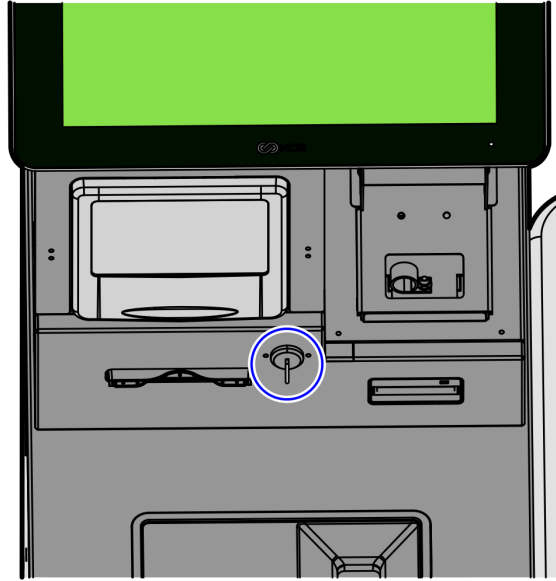
Upgrading an NCR SelfServ™ Checkout (7707) R6-Japan unit with or without an existing E-Money Terminal – with Panasonic JT-R600 Panasonic E-Money Terminal involves the following procedures:

1. Do either of the following:
 - For units with Nanaco E-Money Terminal, remove the existing E-Money Terminal. For more information, refer to [Removing Nanaco E-Money Terminal](#) on the next page.
 - For units with no E-Money Terminal, remove the blanking plate. For more information, refer to [Removing Blanking Plate](#) on page x.
2. Route the E-Money Terminal cables. For more information, refer to [Routing E-Money Terminal Cables](#) on page xi.
3. Install the Panasonic JT-R600 E-Money Terminal. For more information, refer to [Installing Panasonic JT-R600 E-Money Terminal](#) on page xiii.

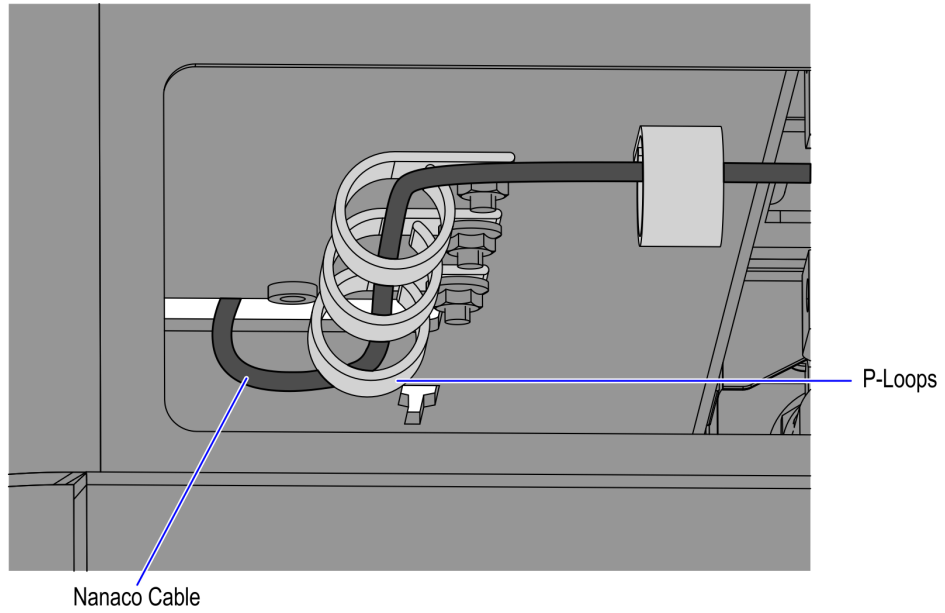
Removing Nanaco E-Money Terminal

To remove the Nanaco E-Money Terminal, follow these steps:

1. Do the following:
 - Open the back panel of the Upper Enclosure.
 - Using a key, unlock and open the Upper Cabinet shelf.

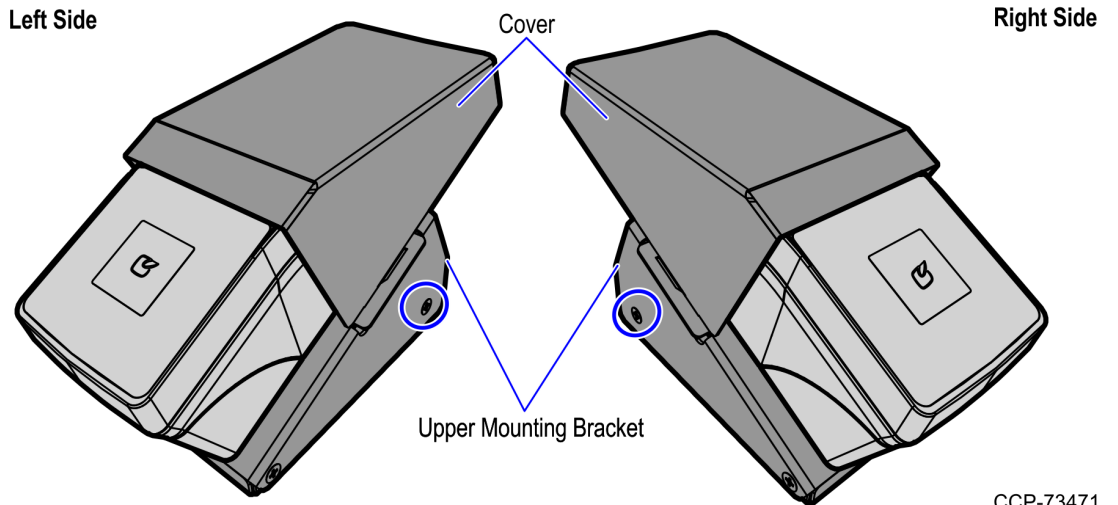


2. Do the following:
 - a. Disconnect the Nanaco cable from the 7702 Terminal Display.
 - b. Remove the Nanaco cable from the open p-loops, as shown in the image below.



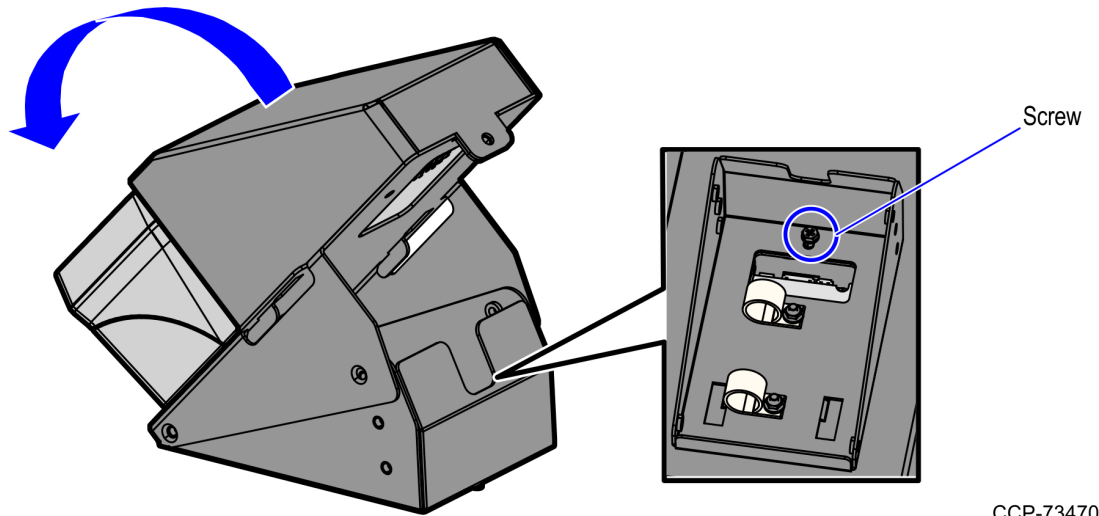
CCP-74847

3. Remove two (2) screws located at the rear part of the upper mounting bracket, as shown in the image below.



CCP-73471

4. Raise the upper mount and then remove the screw securing the E-Money Terminal assembly to the Upper Enclosure.



CCP-73470

5. Slide the terminal assembly backward to disengage the assembly from the unit.
6. Route the E-Money Terminal cable. For more information, refer to [Routing E-Money Terminal Cables](#) on page xi.

Removing Blanking Plate

To remove the blanking plate, follow these steps:

1. Using a metal pry tool or a flat screwdriver, slowly remove the blanking plate by starting from the sides until the plate is completely detached.



Note: Use the pry tool with caution to avoid scratches on the paint.

2. Using a cloth or a cotton rag, clean the top surface with isopropyl alcohol to remove any adhesive residue.



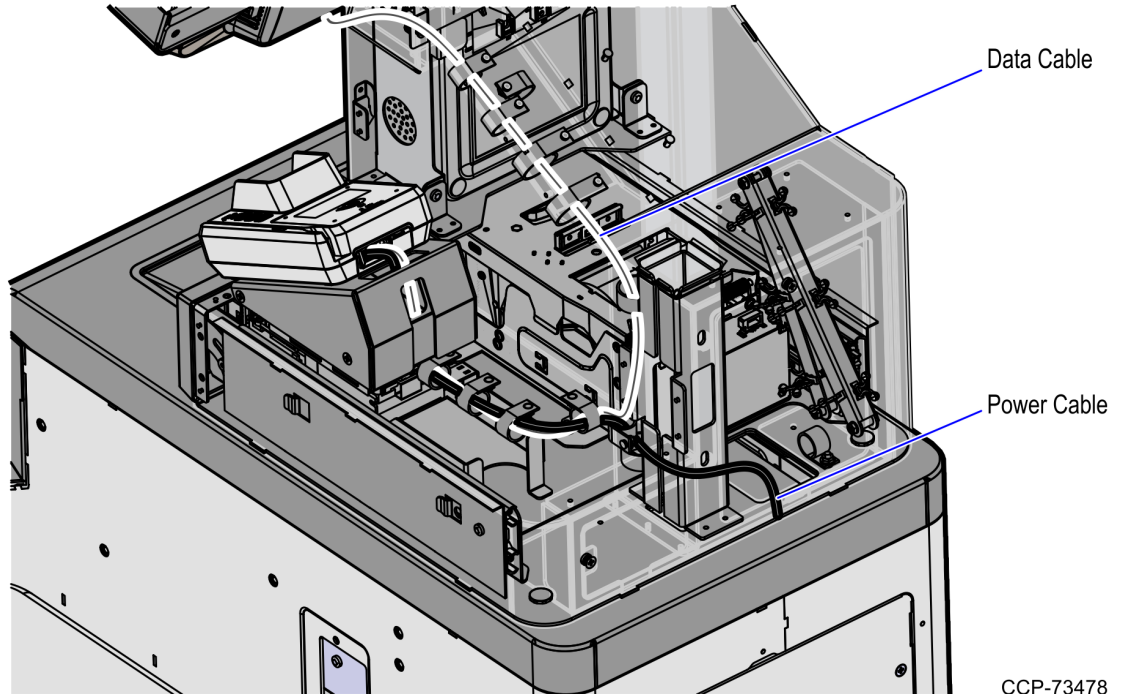
Caution: Too much isopropyl alcohol can damage the surface paint of the unit.

3. Install the Panasonic JT-R600 E-Money Terminal. For more information, refer to [Installing Panasonic JT-R600 E-Money Terminal](#) on page xiii.

Routing E-Money Terminal Cables

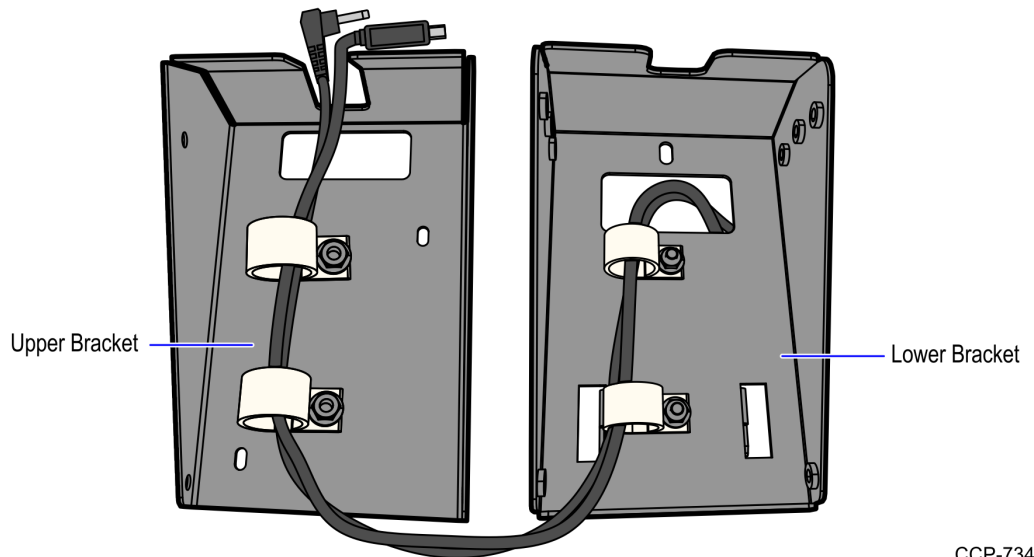
To route the E-Money Terminal cables in the R6-Japan unit, follow these steps:

1. Do the following:
 - a. Route the power cable from the lower cabinet up to the Upper Enclosure through P-loops.
 - b. Route the data cable from the 7702 Terminal Display down through the P- loops and to the Upper Enclosure.



CCP-73478

2. Route the cables through the P-loops of the mounting brackets, as shown on the images below.



CCP-73461



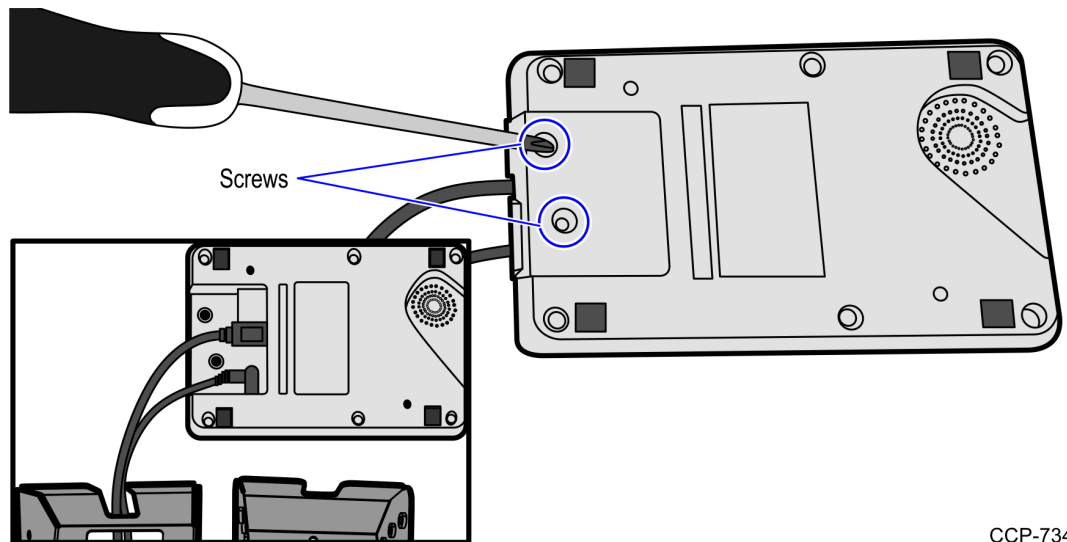
Note: Ensure that there is enough cable slack to avoid cables from being stretched during installation or removal procedures.

3. Install the Panasonic JT-R600 E-Money Terminal. For more information, refer to [*Installing Panasonic JT-R600 E-Money Terminal*](#) on the next page.

Installing Panasonic JT-R600 E-Money Terminal

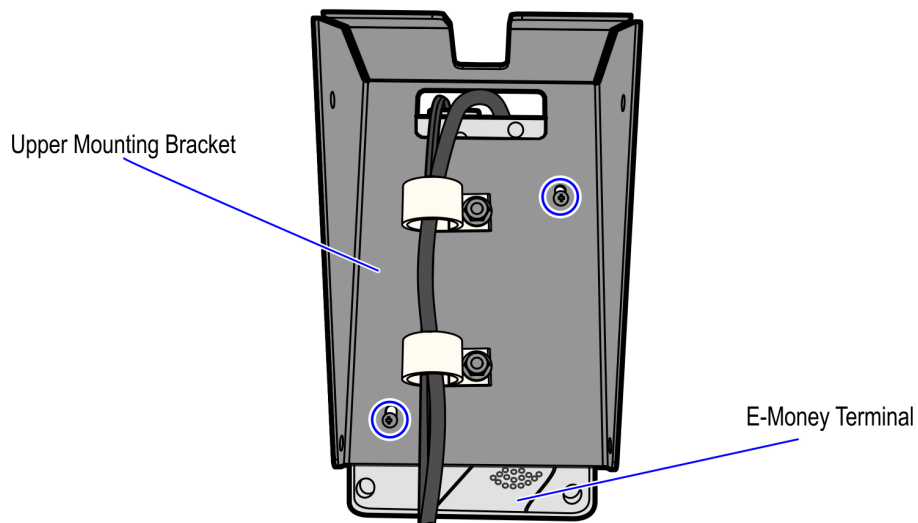
To install the Panasonic JT-R600 E-Money Terminal, follow these steps:

1. Route the cables. For more information, refer to [Routing E-Money Terminal Cables](#) on page xi.
2. Open the terminal cover of the device by removing two (2) screws and connect the power and data cables to the corresponding ports.



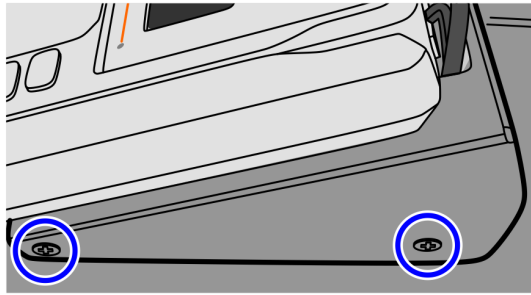
CCP-73463

3. Close the terminal cover and secure the E-Money Terminal to the upper mounting bracket using two (2) screws, as shown in the image below.

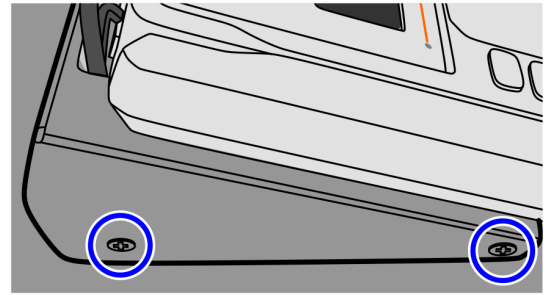


CCP-73458

- Secure the upper mount to the lower mounting bracket using four (4) screws.

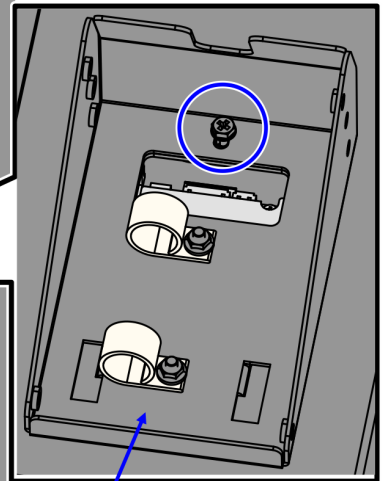
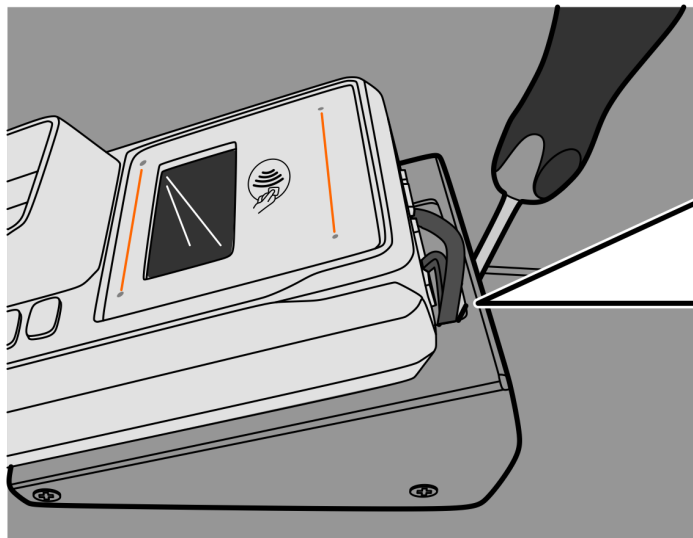


Left Side



Right Side
CCP-73454

- Mount hooks of the E-Money Terminal assembly to the SelfServ Checkout upper enclosure to lock in place and then secure using a screw.



Lower Bracket

CCP-73453