

7649-K021

Extended I/O Daughter Card

Kit Instructions



Issue A

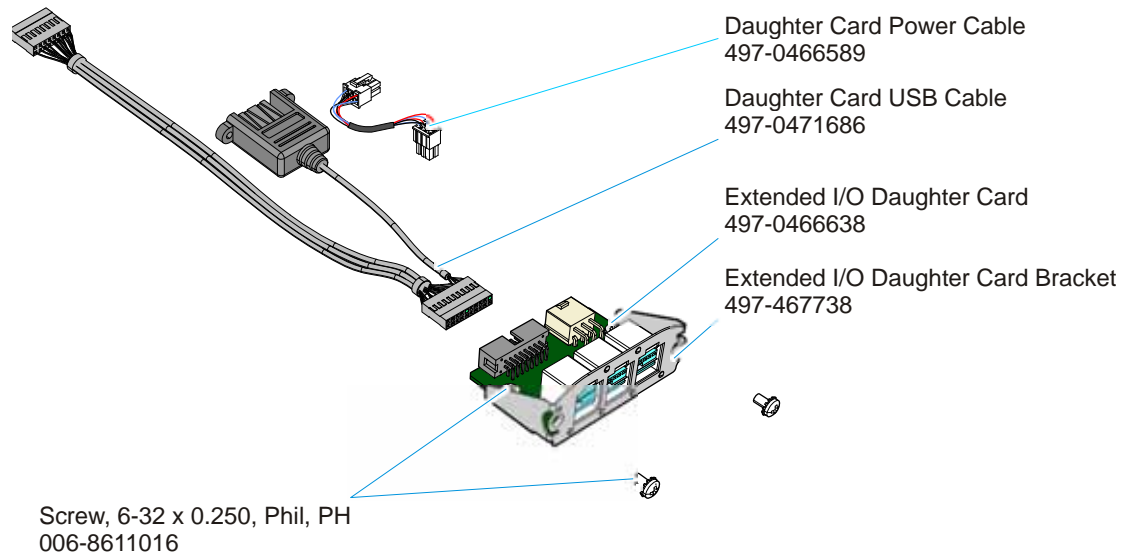
Revision Record

Issue	Date	Remarks
A	Nov 2011	First Issue

Introduction

The Extended I/O Daughter Card provides three additional 12V Powered USB Ports for the 7649. Each port is capable of supplying 12V at 1.5A maximum each.

Kit Contents

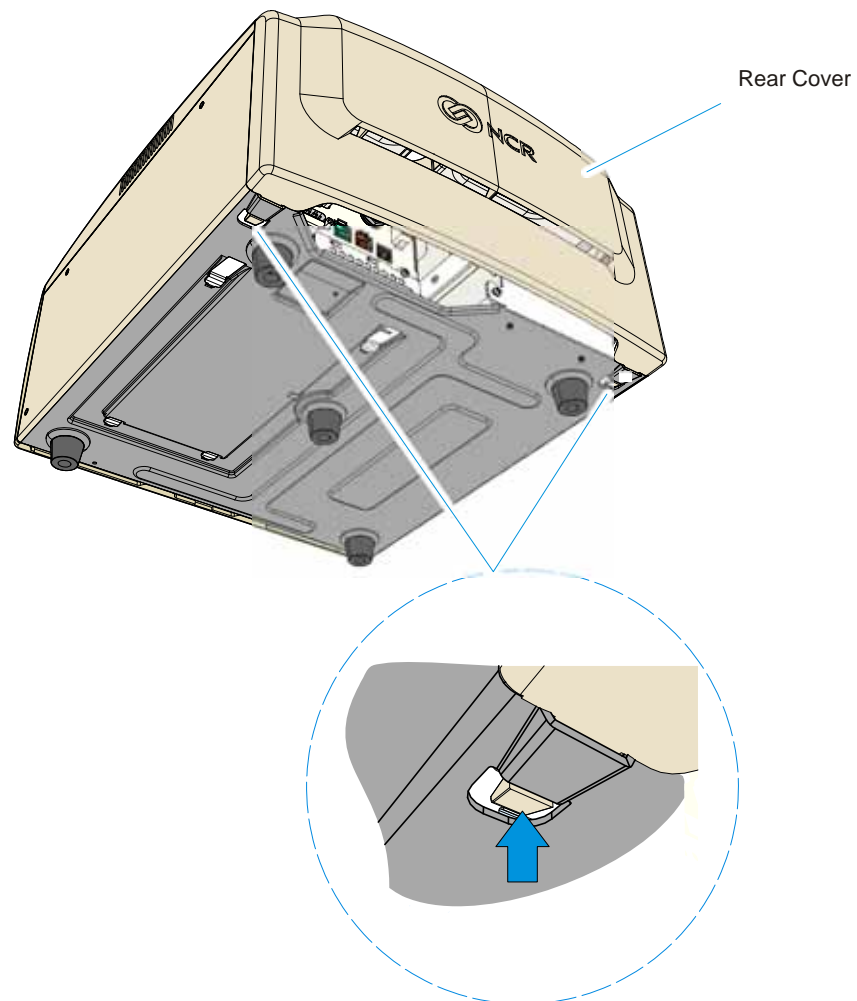


Installation Procedures

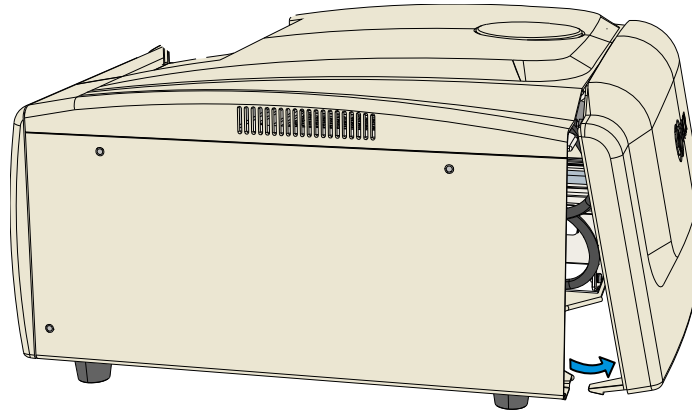
Warning: Disconnect the AC power cord before disassembling the Terminal.

Caution: Static Electricity Discharge may permanently damage your system. Discharge any static electricity build up in your body by touching your computer's case for a few seconds. Avoid any contact with internal parts and handle cards only by their external edges.

1. Unplug the terminal AC Power Cord.
2. Remove the Rear Cover.
 - a. Press UP on the two latches on the bottom of the unit to release the cover from the chassis.

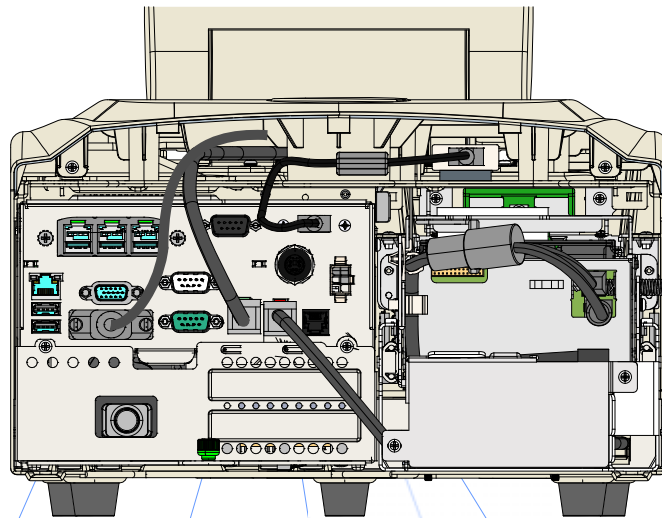


b. Pivot the bottom of the cover out as shown to remove it.



30357

3. Disconnect all cables from the I/O Panel.



Operator Disp DVI

Operator Disp USB

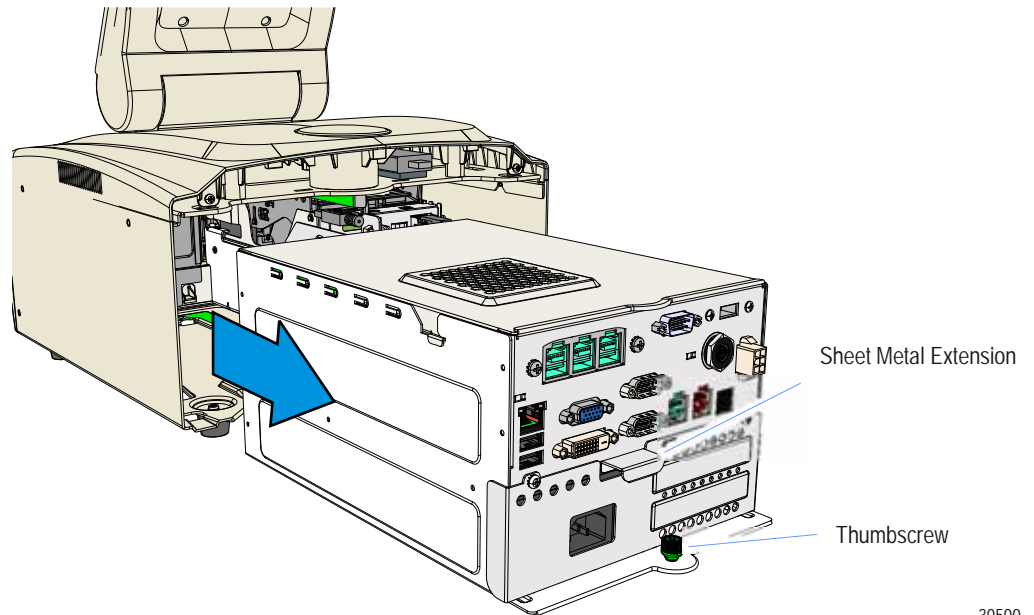
Printer USB

WaveLAN USB

UPS Power

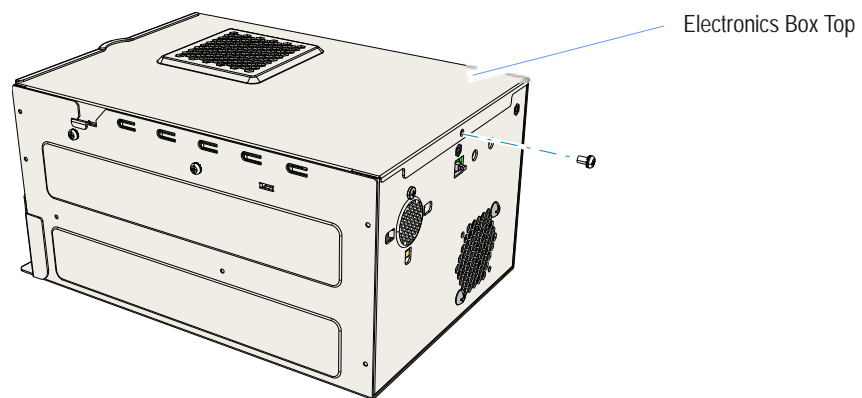
30394

4. Loosen the Thumbscrew on the Electronics Box.
5. Grasp the sheet metal extension on the Electronics Box and slide the assembly out of the chassis.



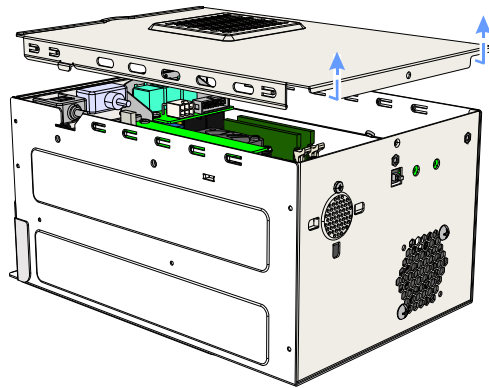
30500

6. Remove the screw that secures the Electronics Box Top.



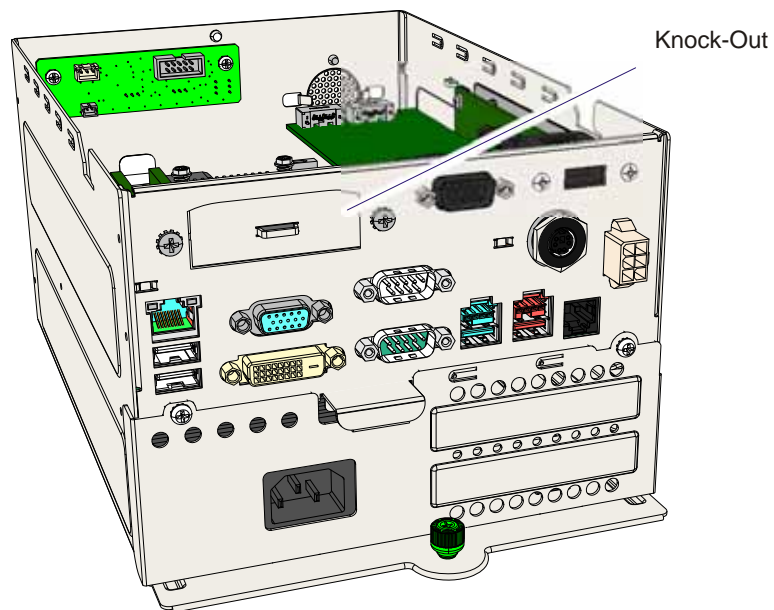
30501

7. Slide the top slightly toward the end of the unit as shown and then lift it up to remove it from the Electronics Chassis.



30502

8. Remove the knock-out from the Back Panel with a flat-blade screwdriver.

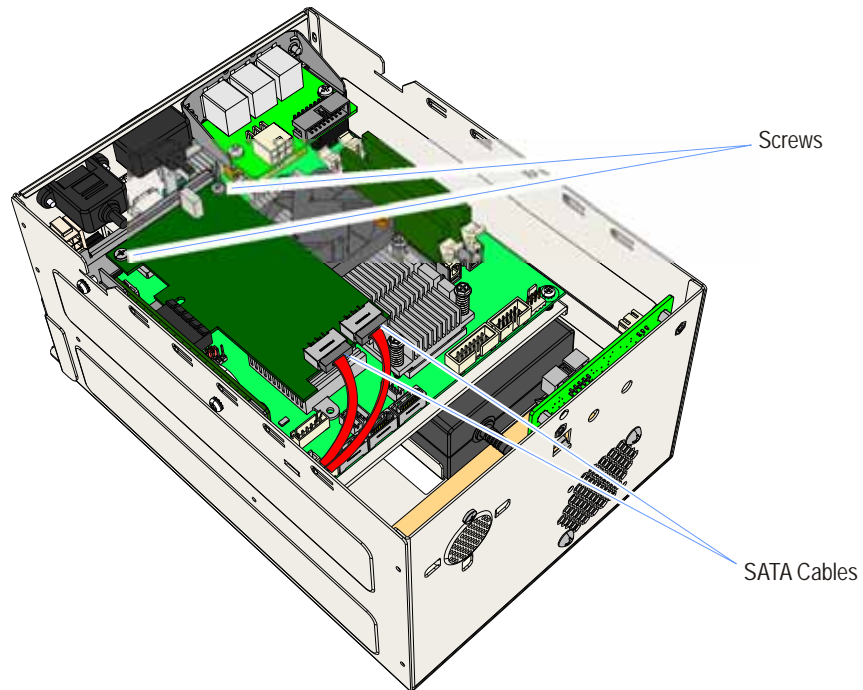


30592

9. Temporarily remove the RAID Card so the Extended I/O Daughter Card Power Harness can be connected to the Motherboard.

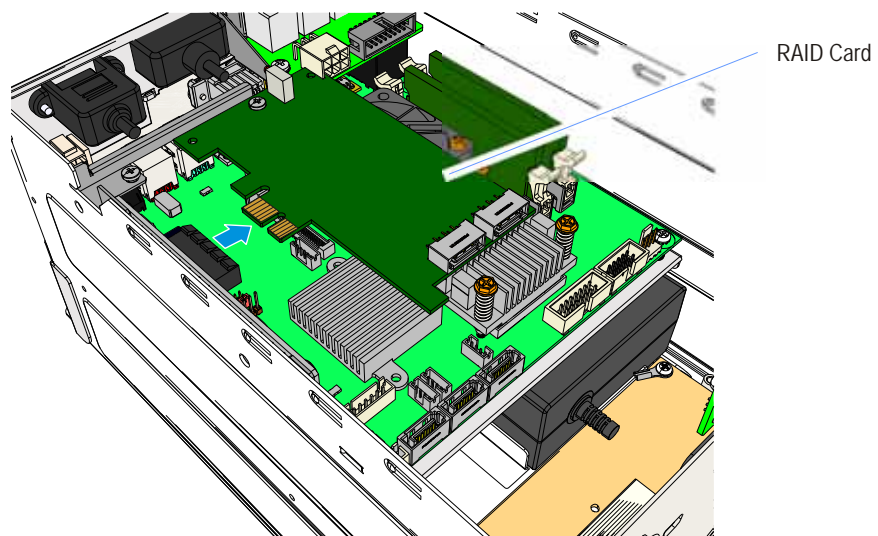
Note: The RAID/Riser Card is an optional feature and may not be present.

- a. Disconnect the RAID SATA Cables.
- b. Remove the screws (2) that secure the RAID Card to the bracket.



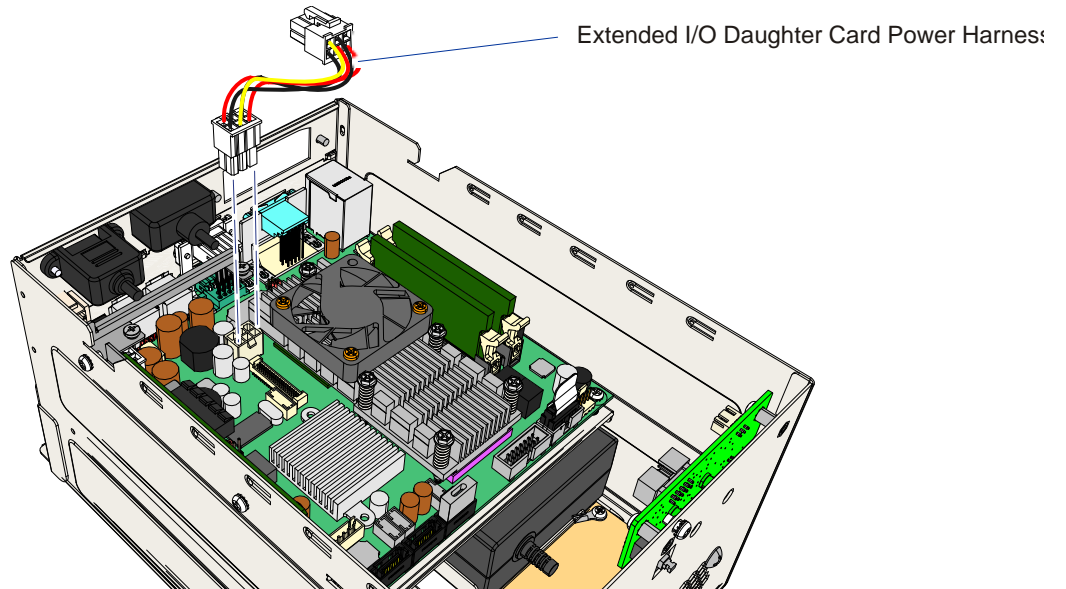
30504

- c. Disconnect the RAID Card from the Riser Board.



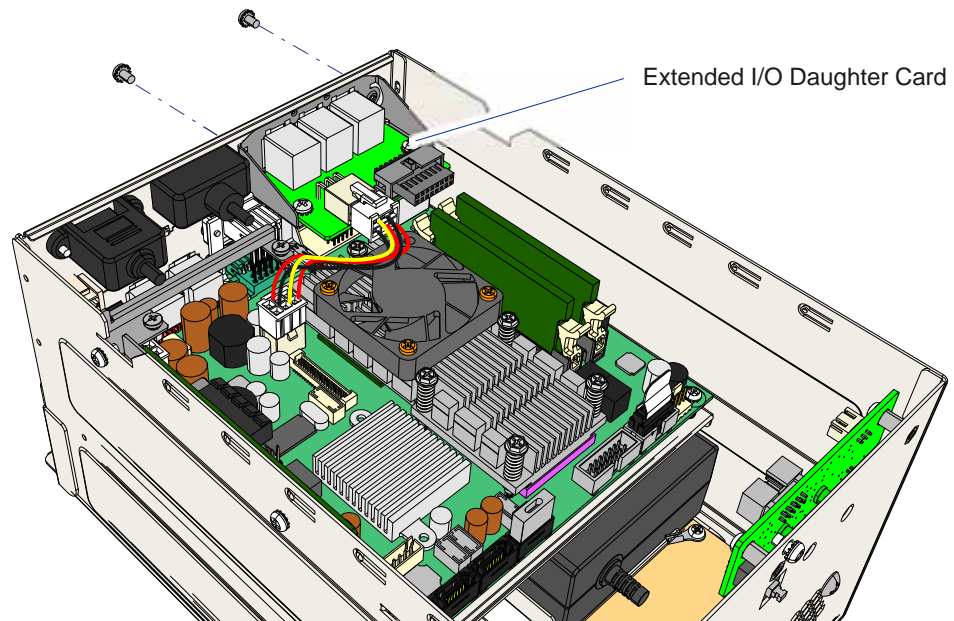
30505

10. Plug the Extended I/O Daughter Card Power Harness into the Motherboard.



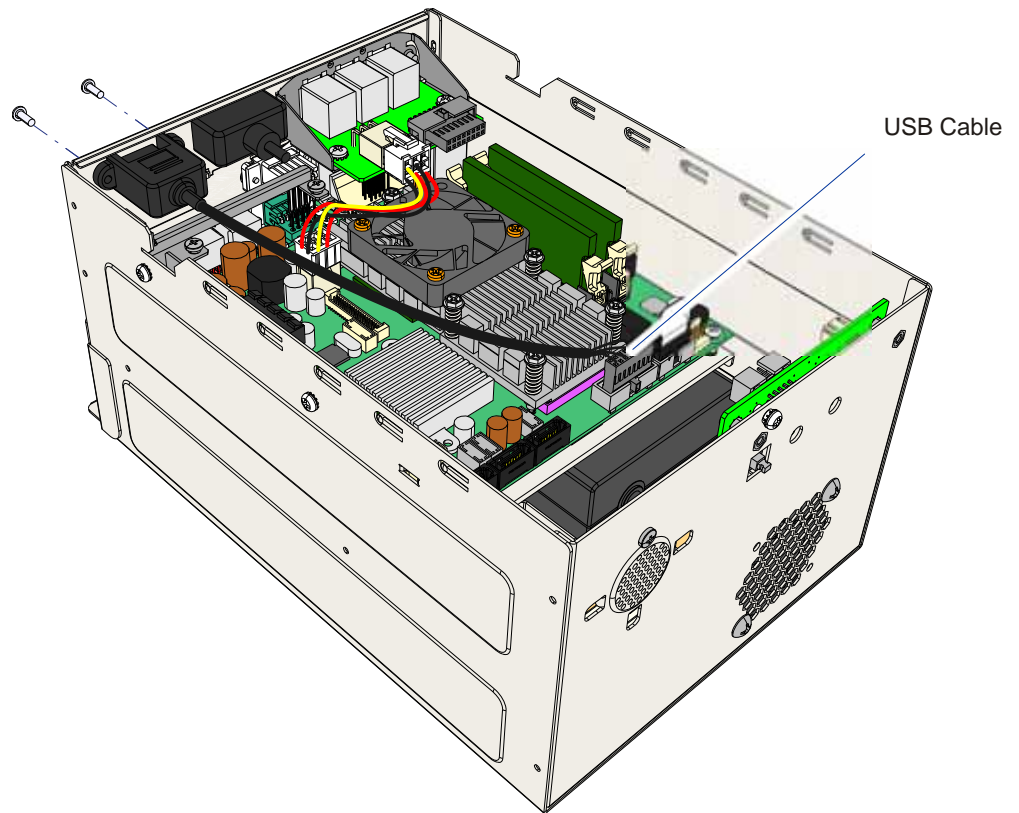
30593

11. Install the Extended I/O Daughter Card in the Back Panel (2 screws) and connect the Power Harness.

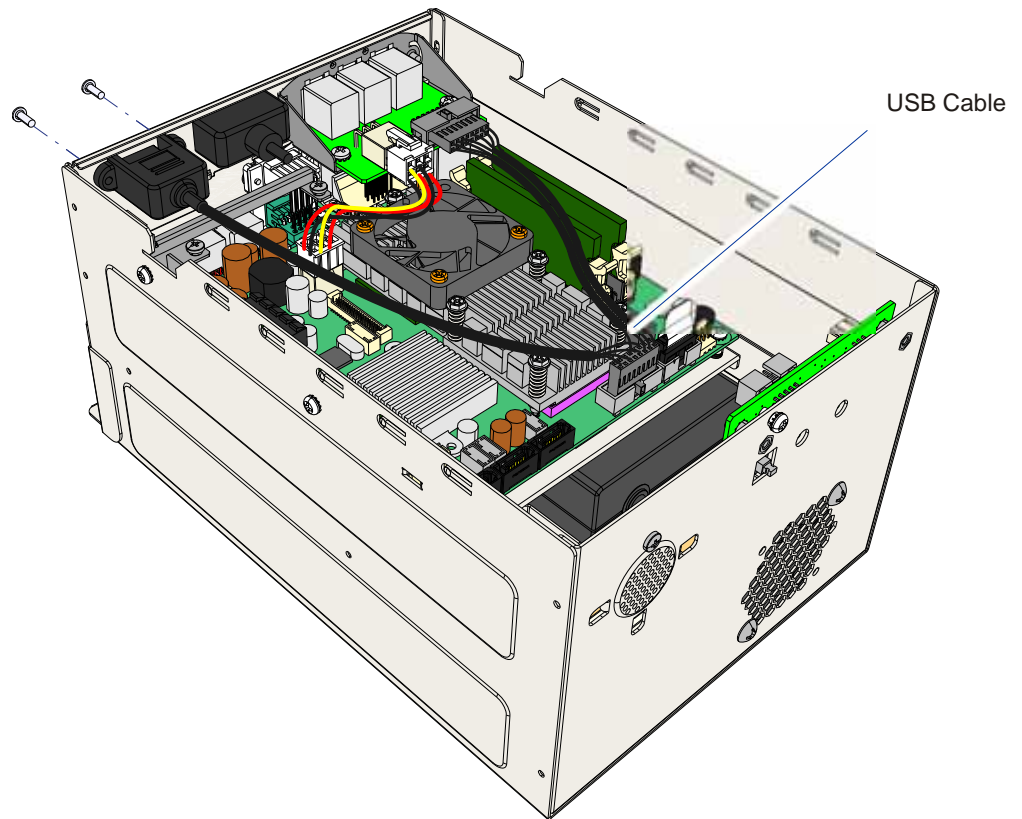


30594

12. Remove the existing USB Cable from the Motherboard (Header) and Back Panel (2 screws).



13. Install the new USB Cable to the Extended I/O Card, Motherboard (Header), and Back Panel (2 screws).



30596

14. Reinstall the RAID Card (if applicable).
15. Replace the Electronics Box Top Cover.
16. Install the Electronics Box in the terminal.
17. Connect the peripheral cables to the I/O Panel.
18. Replace the Rear Cover.

