

7409-K945

Tethered Stylus & Clip

Kit Instructions



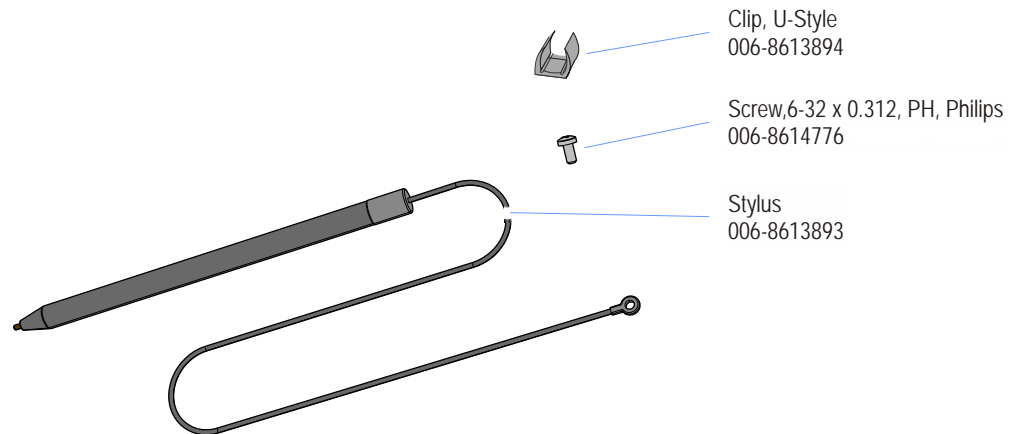
Issue A

Revision Record

Issue	Date	Remarks
A	July 2011	First issue

Introduction

Use these instructions to install display stylus on a 7409 terminal.

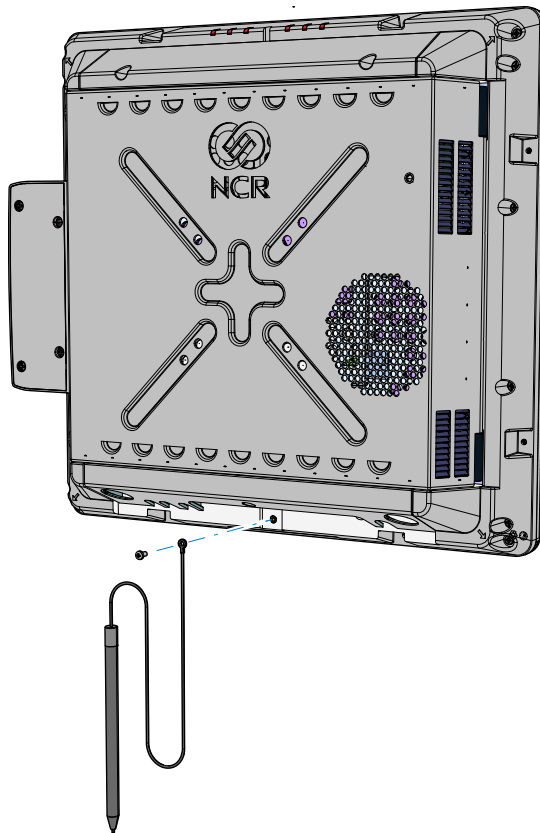


29849

Installation Procedures

The Stylus Cable Tether is secured to the terminal by a screw. A U-Clip w/self adhesive backing is provided to hold the Stylus when not in use.

1. Install the Stylus Cable Tether to the terminal (screw).



29848

2. Adhere the U-Clip to a location of choice on the terminal.