

7409-K566

Swivel Mount Bracket

Kit Instructions



Issue A

Revision Record

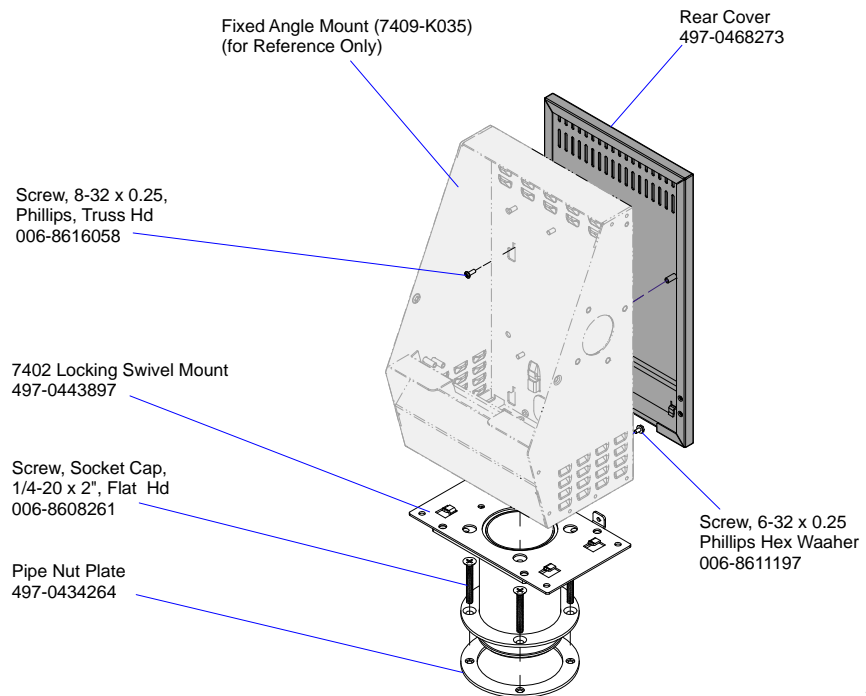
Issue	Date	Remarks
A	Aug 2010	First issue

Introduction

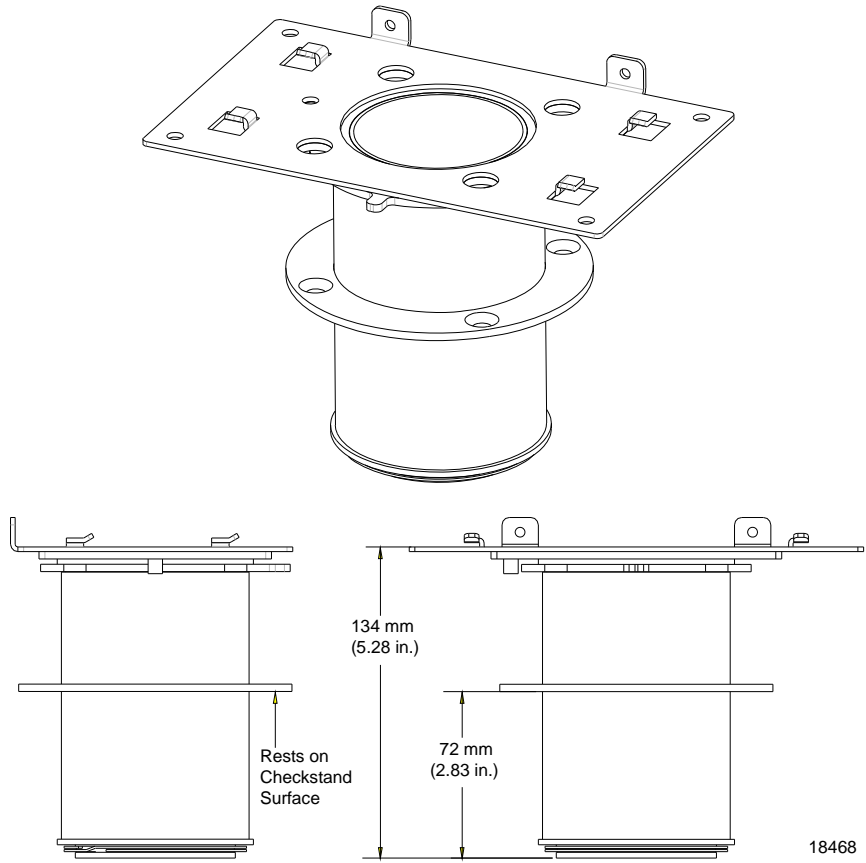
This kit contains a swivel mount for a terminal mounted on a Fixed Angle Mount (7409-K035). When installed on a check stand the device can be rotated up to 340 degrees.

The sections that follow describe how to install the Swivel Mount Bracket in a check stand how to install a Fixed-Angle Mount on the Swivel Mount Bracket.

Kit Contents



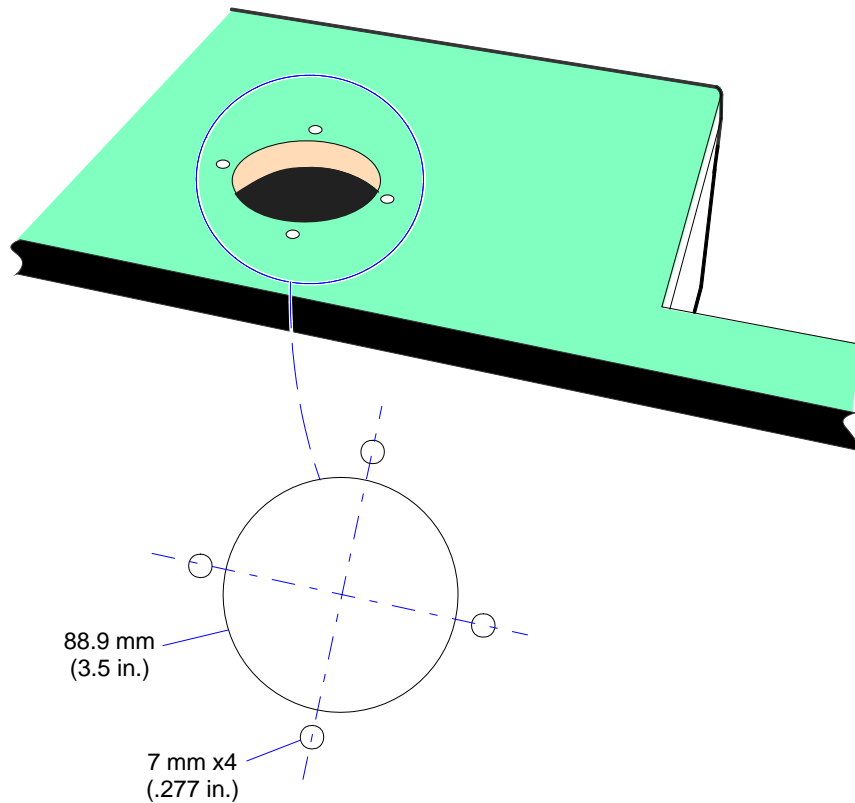
Mount Dimensions



18468

Installing the Swivel Mount Bracket

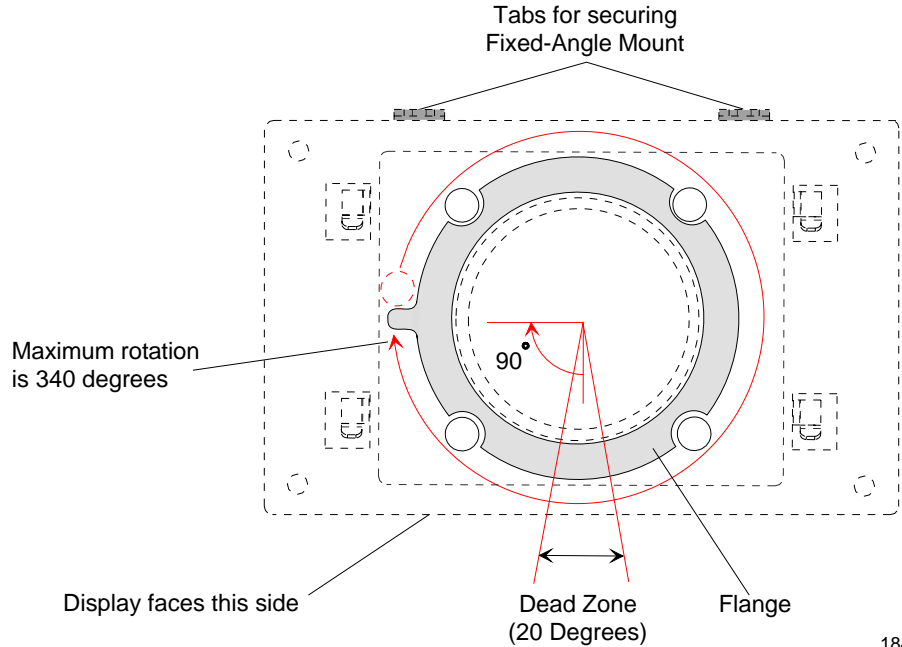
1. In the desired location, drill an 88.9 mm (3.5") hole in the top of the checkstand for the Swivel Mount Bracket.



2. Place the Swivel Mount Bracket into the hole.

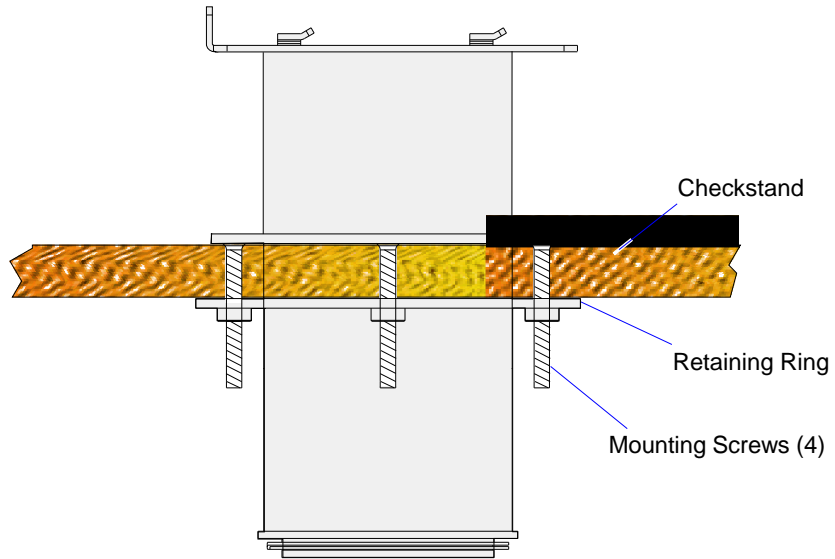
3. As shown in the following illustration, the maximum rotation is 340 degrees. Making sure that the terminal can rotate to the desired positions, mark the checkstand through the four screw holes in the flange.

Note: The maximum rotation is 340 degrees. This leaves a 20 degree "Dead Zone" through which the swivel cannot rotate and the display cannot be viewed directly. The center of the "Dead Zone" is always 90 degrees from the tab in the flange. Keep this in mind when planning the installation and marking the checkstand through the four screw holes.



4. Remove the Swivel Mount Bracket and drill four 7 mm (.277") holes in the marked locations.
5. Place the Swivel Mount Bracket into the hole in the checkstand.

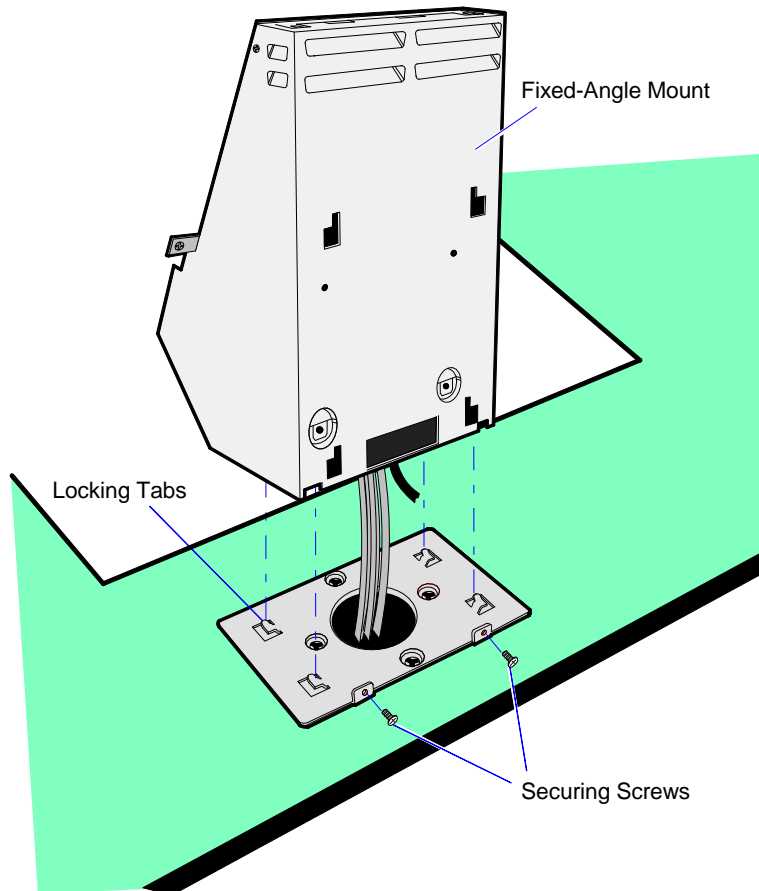
6. Use the Retaining Ring and the four Mounting Screws to secure the Swivel Mount Bracket to the checkstand.



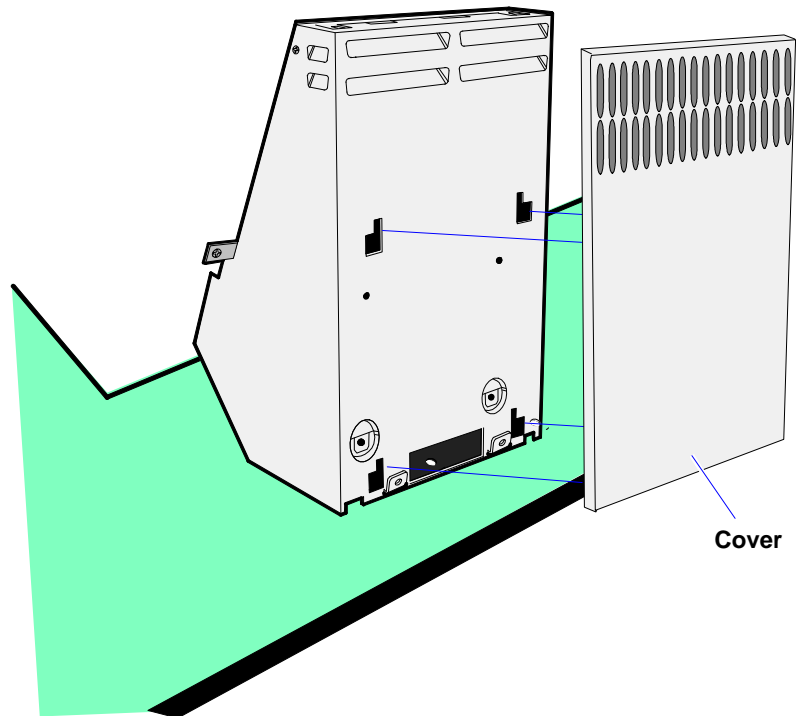
18498

Installing a Fixed-Angle Mount on the Swivel Mount Bracket

1. Align the slots in the bottom of the Fixed-Angle Mount with the Locking Tabs on the Swivel Mount Bracket. Lock the Fixed-Angle Mount in place by sliding it toward the rear of the Swivel Mount Bracket.



2. Use the two Securing Screws to secure the Fixed-Angle Mount to the Swivel Mount Bracket.
3. Insert the two tabs on the Cover into the two lower slots on the back of the Fixed-Angle Mount.



17744

4. From inside the Fixed-Angle Mount, secure the Cover with screws and washers (2).