

7409-K400

# CD/DVD ROM Drive

Kit Instructions



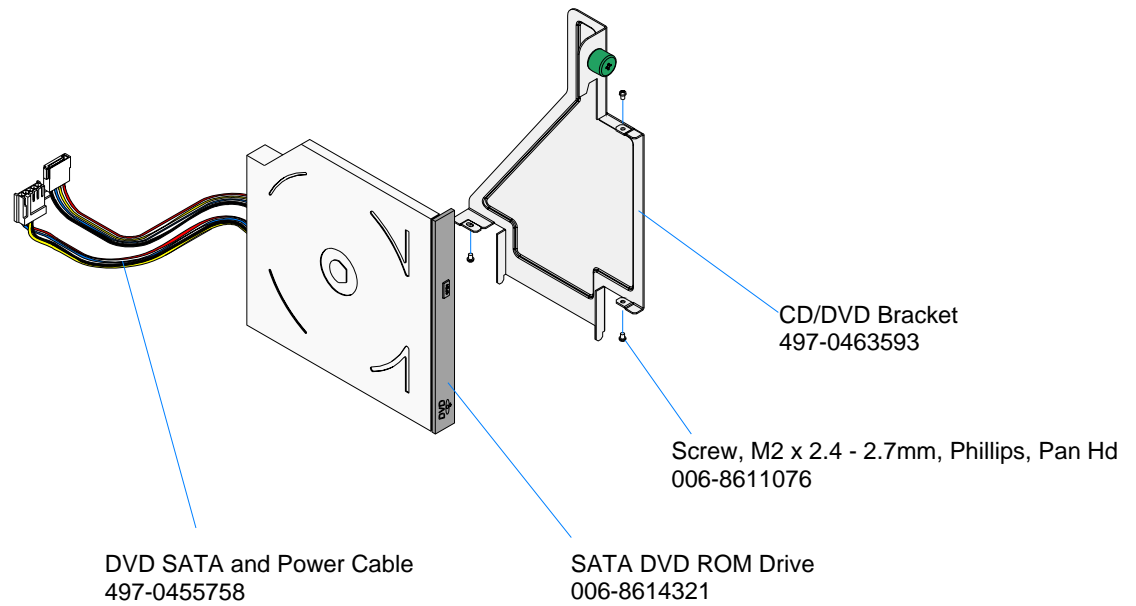
Issue A

## Revision Record

Issue	Date	Remarks
A	Jan 2009	First issue

# Introduction

This kit provides an integrated CD/DVD ROM Drive for the 7409.



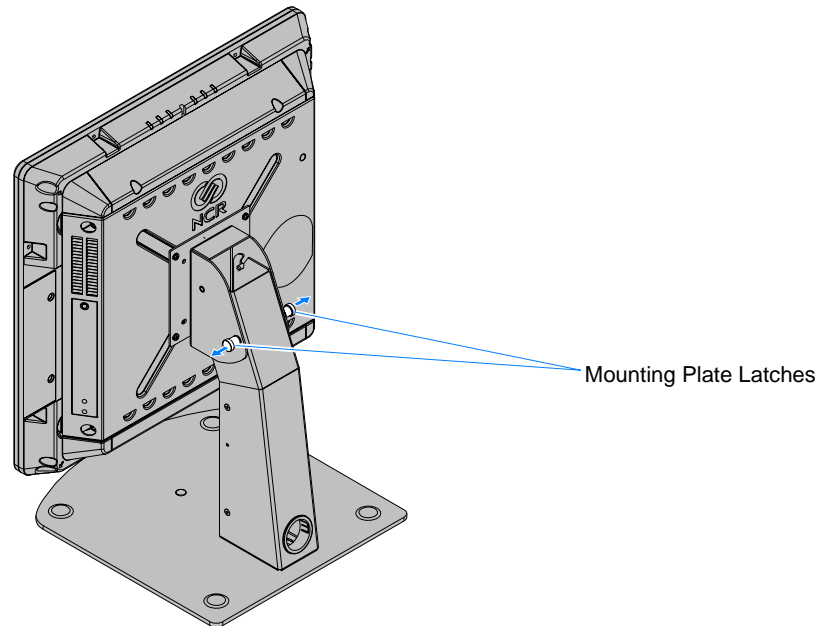
# Installation Procedures

**Warning: Disconnect the AC power cord before disassembling the Terminal.**

1. Remove the Display Head from its mount.

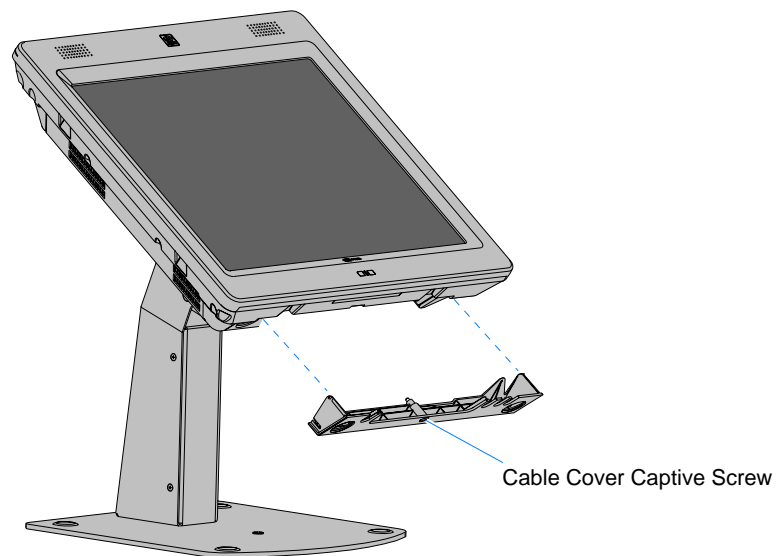
## Removing the 7409 from the Table Top Mount

- a. Release the Mounting Plate Latches and tilt the display back. Relock the latches.



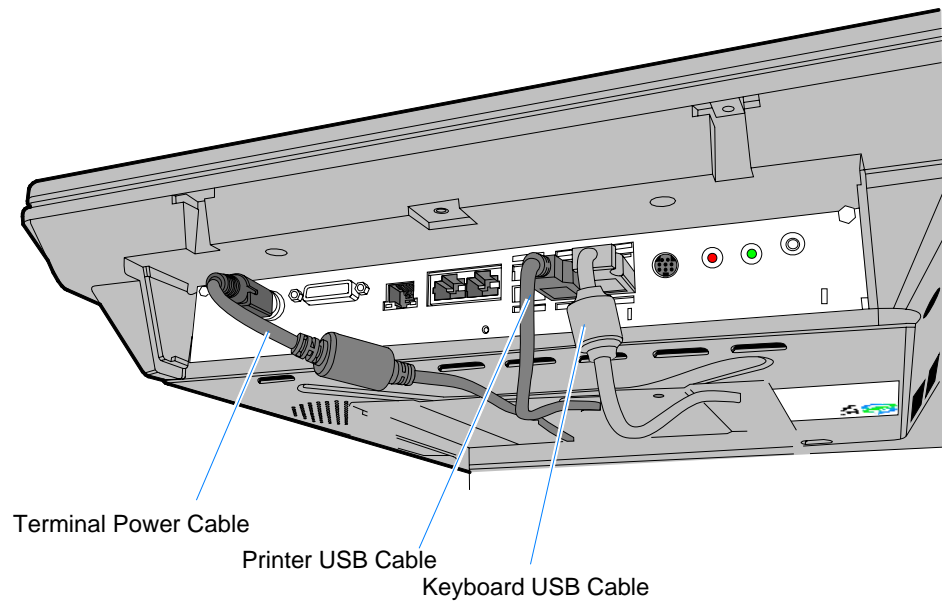
26901

- b. Loosen the captive screw that secures the Cable Cover and remove the cover.

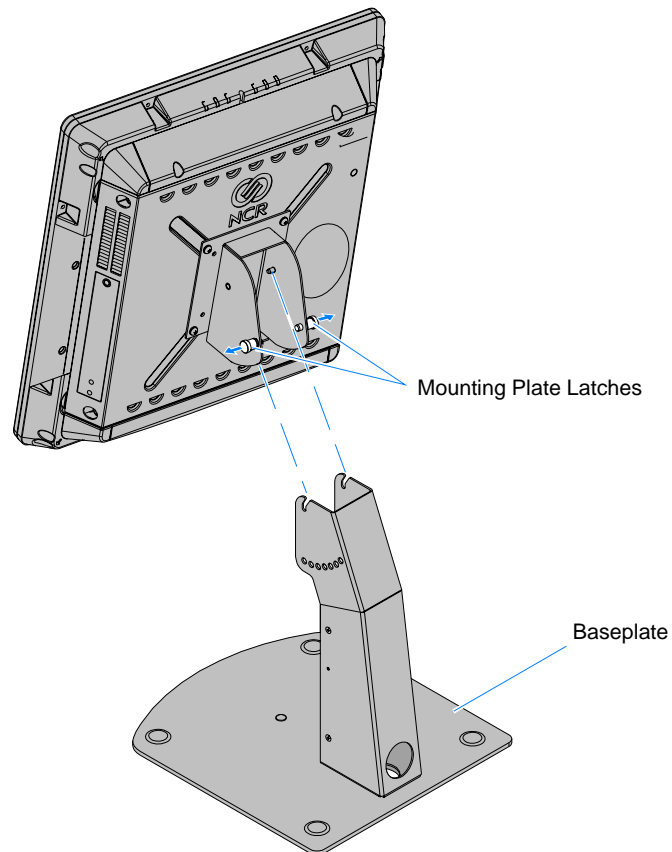


26690

- c. Disconnect the cables from the I/O Panel.

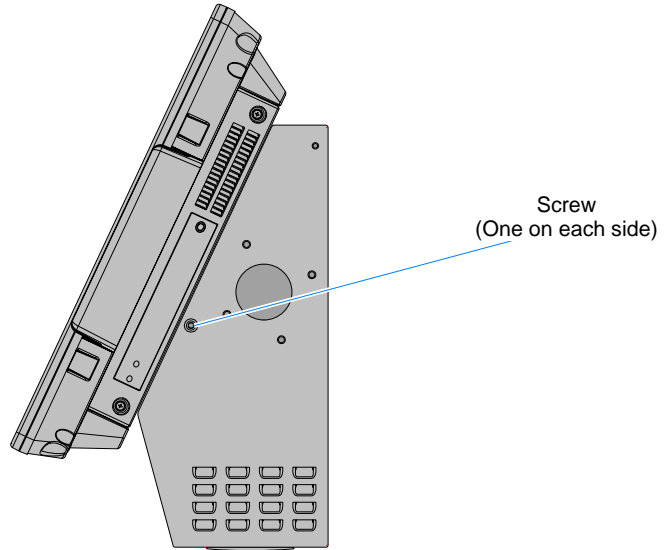


- d. Release the Mounting Plate Latches and remove the 7409 from the mount.

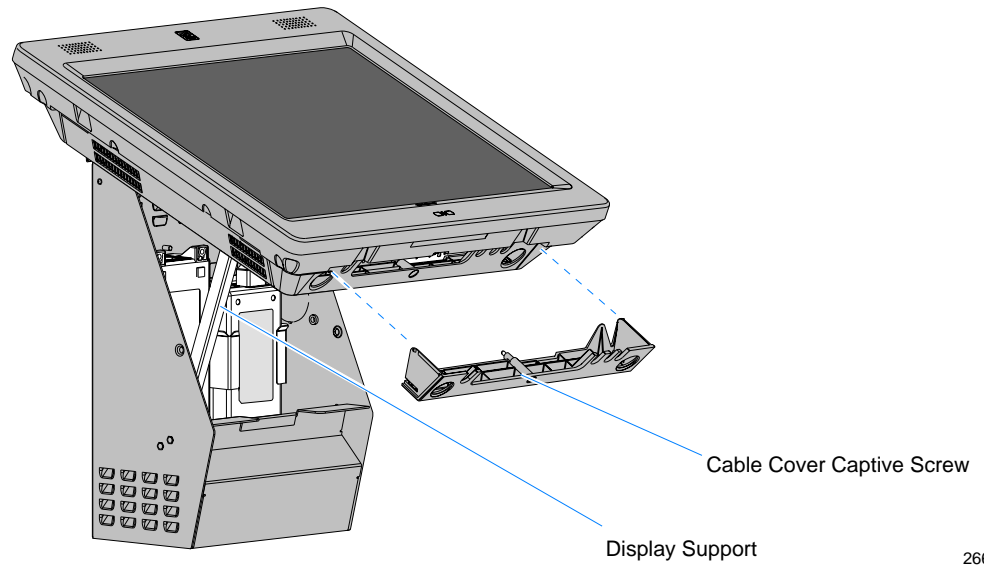


## Removing the 7409 from the Fixed Angle Mount

- a. Remove the screws (2) in the sides of the Fixed Angle Mount.

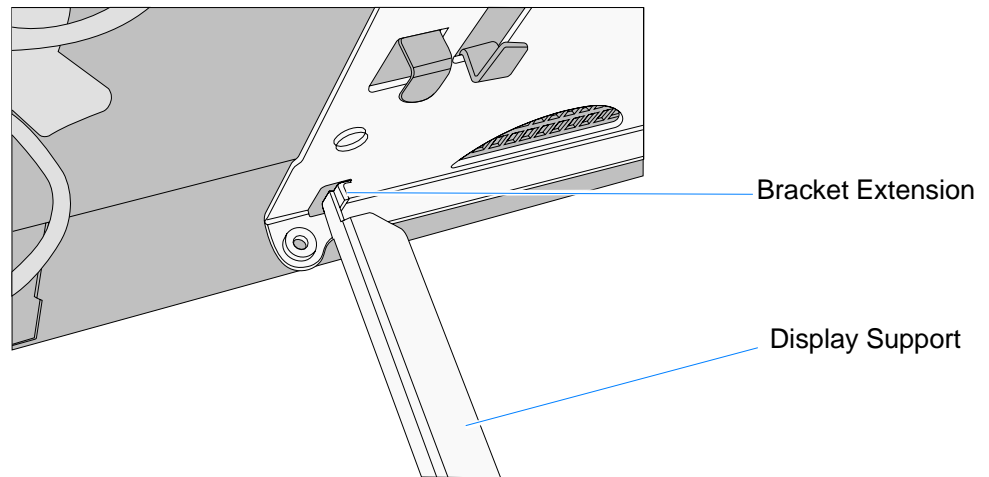


- b. Rest the bottom of the display on the Display Support.



26680

**Note:** Place the Display Support behind the extension on then Display Hinge Bracket.

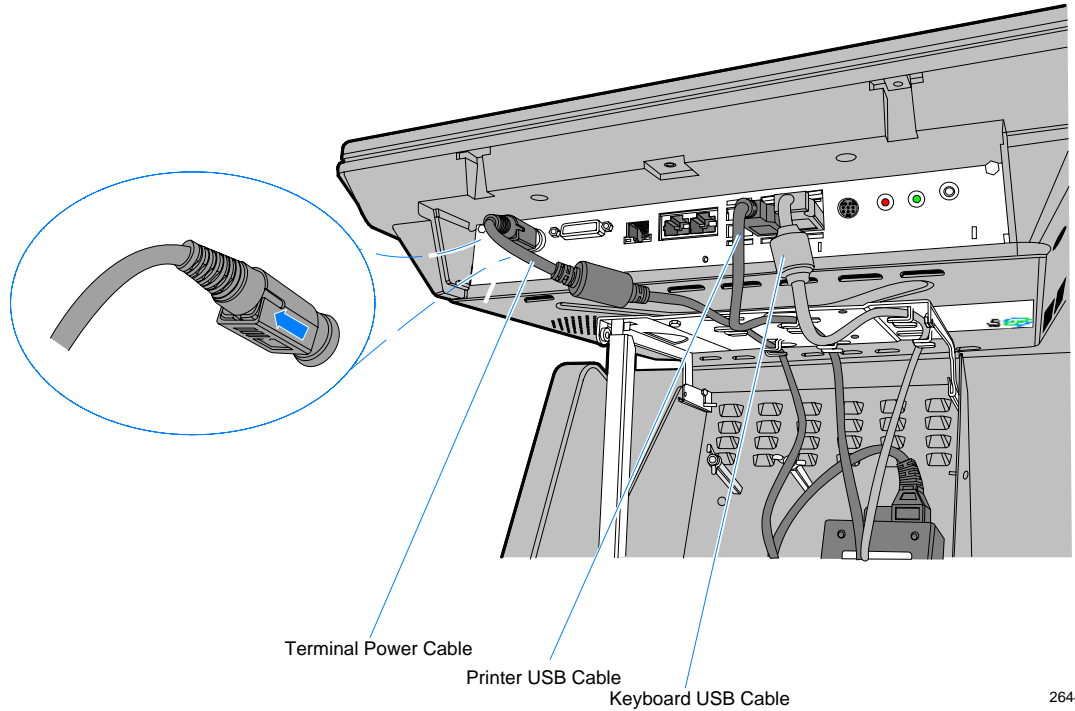


24753

- c. Loosen the captive screw that secures the Cable Cover and remove the cover.

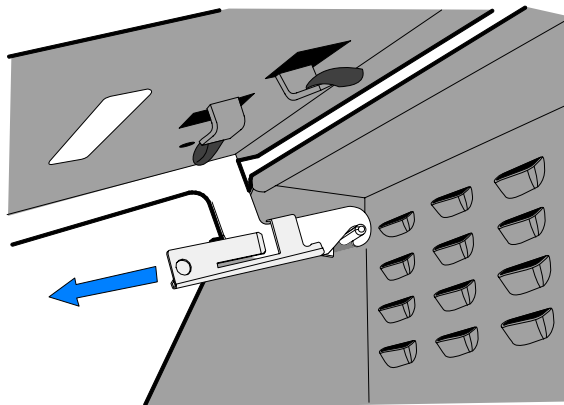
- d. Disconnect the cables from the I/O Panel.

**Note:** The Power Cable connector *locks* into position when connected to the terminal and cannot be removed by simply pulling on the cable. You must grasp the connector and slide the outside housing out from the terminal to *unlock* it from the terminal connector.



26445

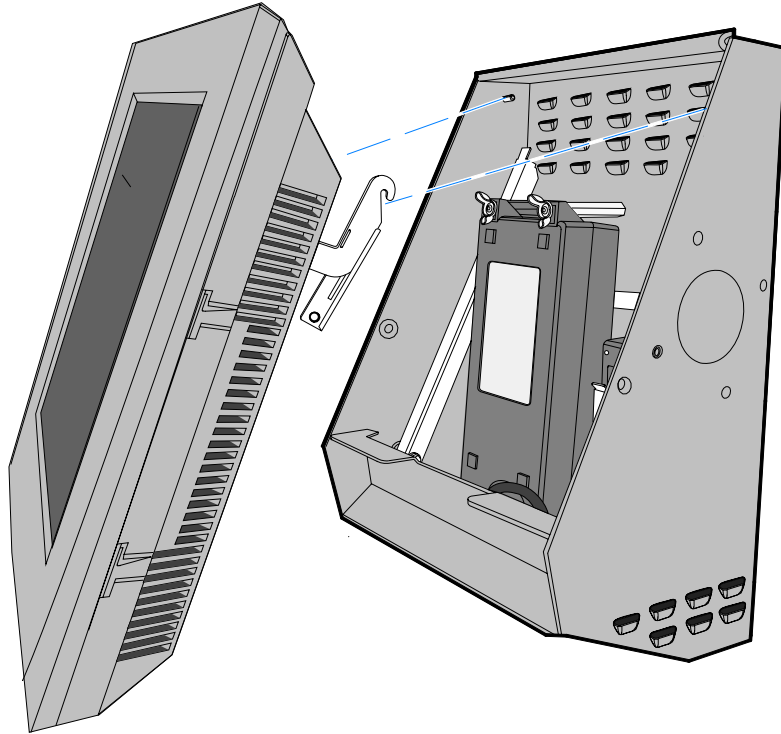
- e. Slide the Locking Brackets (2) to the *unlocked* position.



24747

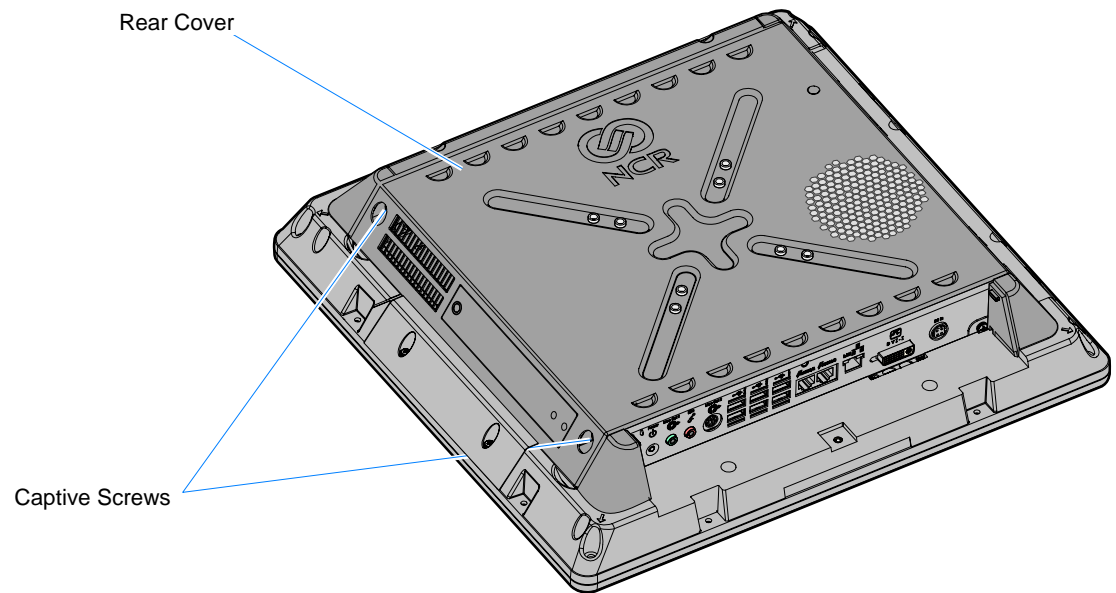


- f. Remove the display from the Fixed Angle Mount.



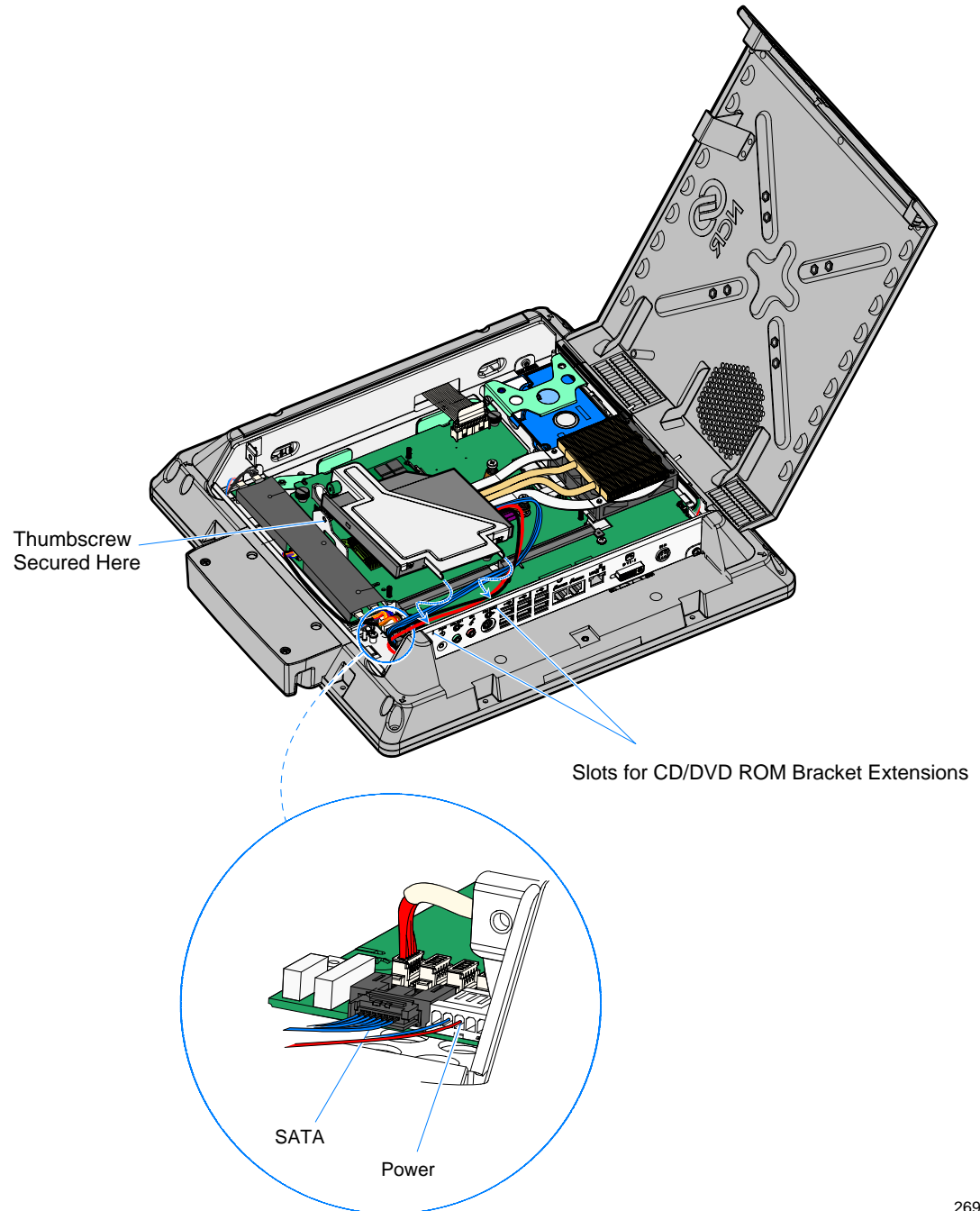
24629

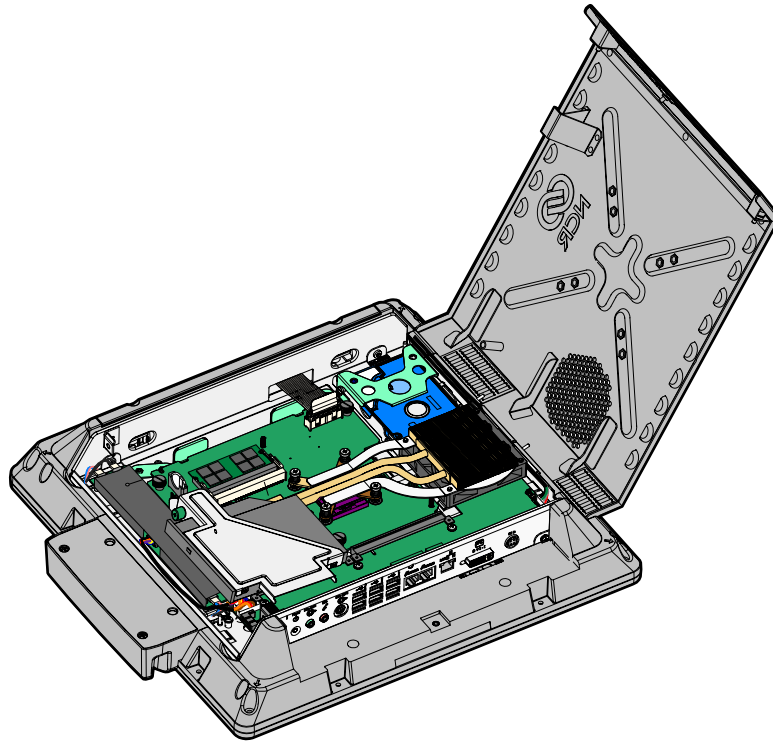
- g. Disconnect the Power Cord from the I/O Panel on the terminal.
2. Lay the terminal face down on a flat surface.
  3. Loosen the captive screws (2) that lock the Rear Cover.



26903

4. Pivot the Rear Cover to the open position.
5. Connect the DVD SATA and Power Cables to the Motherboard.
6. Install the drive.
  - a. Fold the cables under the CD/DVD ROM Drive as shown below.
  - b. Insert the two extensions on the CD/DVD RPM Bracket in the two slots in the chassis.
  - c. Secure the CD/DVD ROM Bracket with the thumbscrew.





26957a

Installed CD/DVD ROM Drive

7. Replace the Rear Cover and mount the Display Head to its mount using the reverse procedures.
8. Close the Rear Cover and replace the Display Head to its mount using the reverse procedures.

## Accessing the DVD

The DVD is accessed by removing the Access Cover on the side of the display (1 screw).

