

7409-K361

# Fixed Angle Mount MSR and Imaging Scanner

Kit Instructions



Issue A

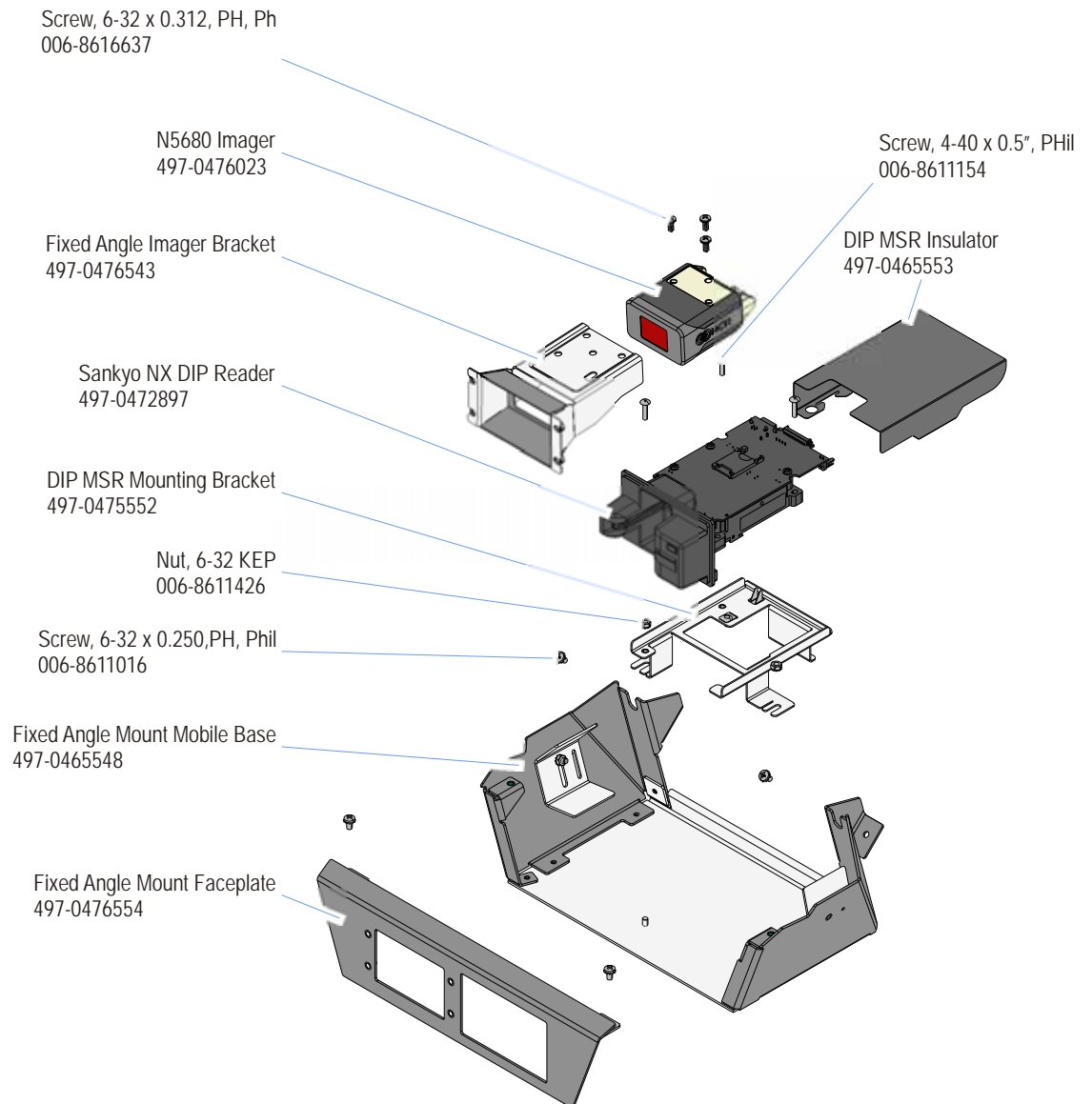
# Revision Record

Issue	Date	Remarks
A	Sept 2012	First Issue

# Introduction

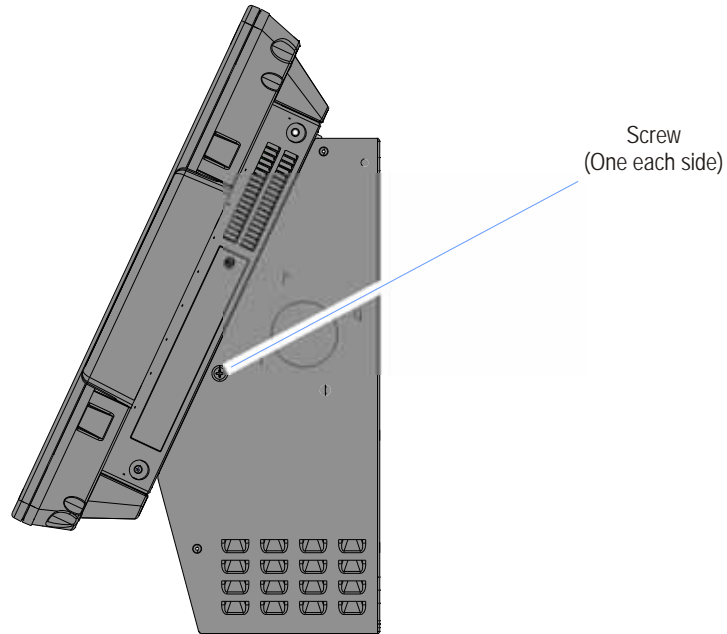
This kit provides a DIP MSR and N5680 Imaging Scanner assembly for the NCR SelfServ 60 (7409). The assembly installs on the front of the 7409-K035 Fixed Angle Mount.

## Components



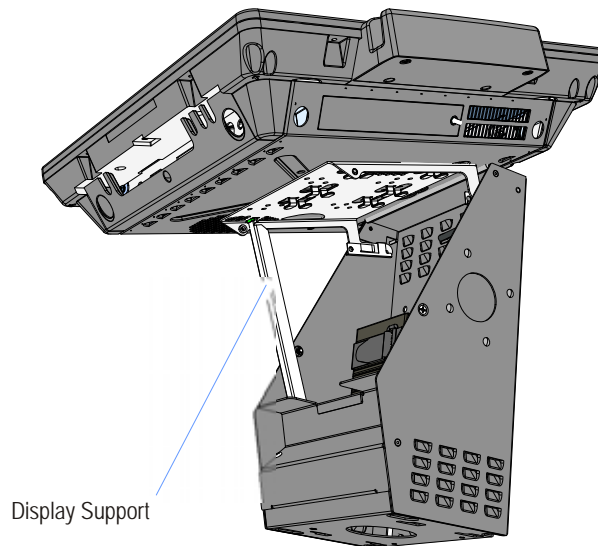
## Installation Procedures

1. Remove the screws (2) in the sides of the Fixed Angle Mount.



31462

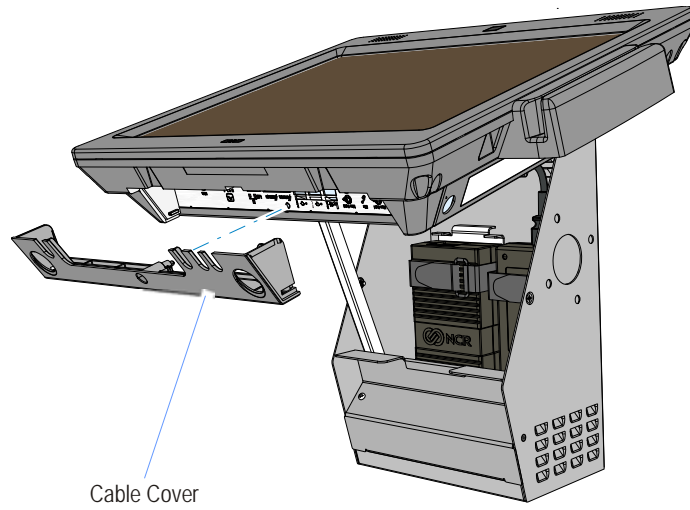
2. Rest the bottom of the display on the Display Support.



31469

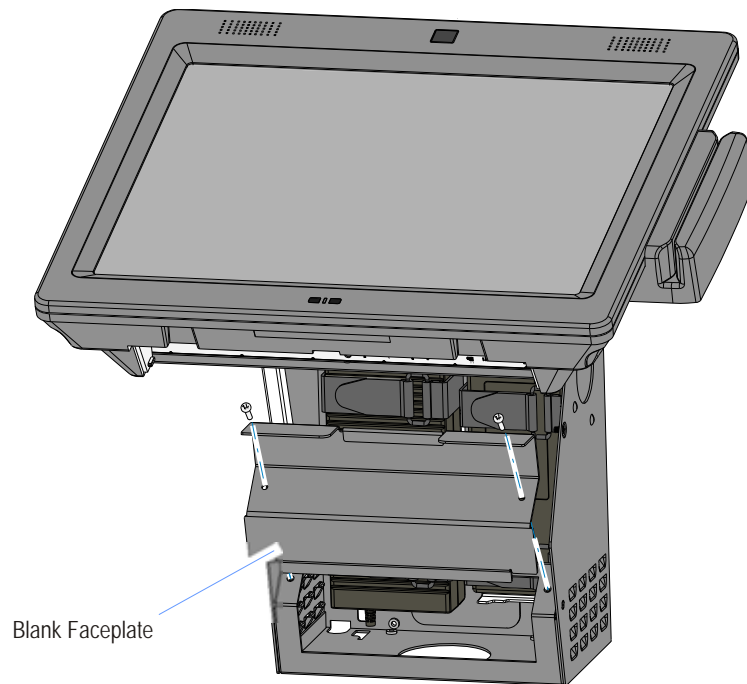
**Note:** Place the Display Support behind the extension on then Display Hinge Bracket.

3. Remove the terminal Cable Cover (1 captive screw).



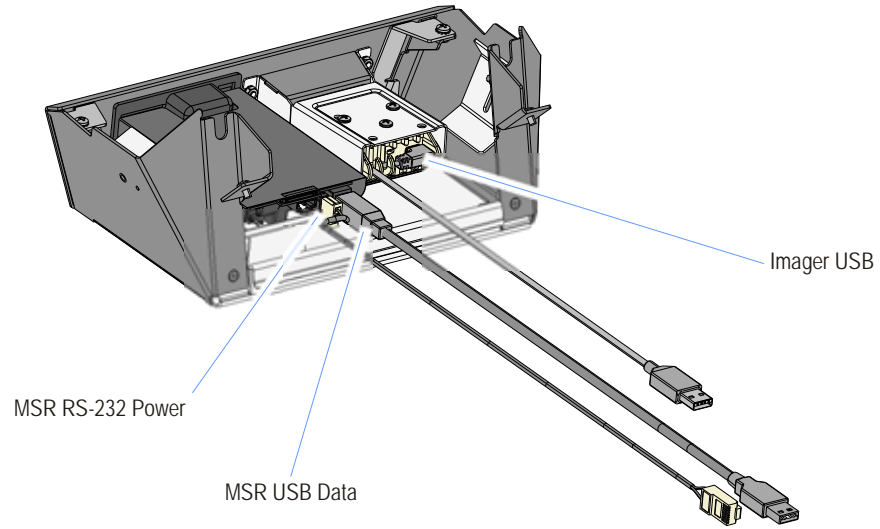
31468

4. Remove the Blank Faceplate from the Fixed Angle Mount (2 screws).



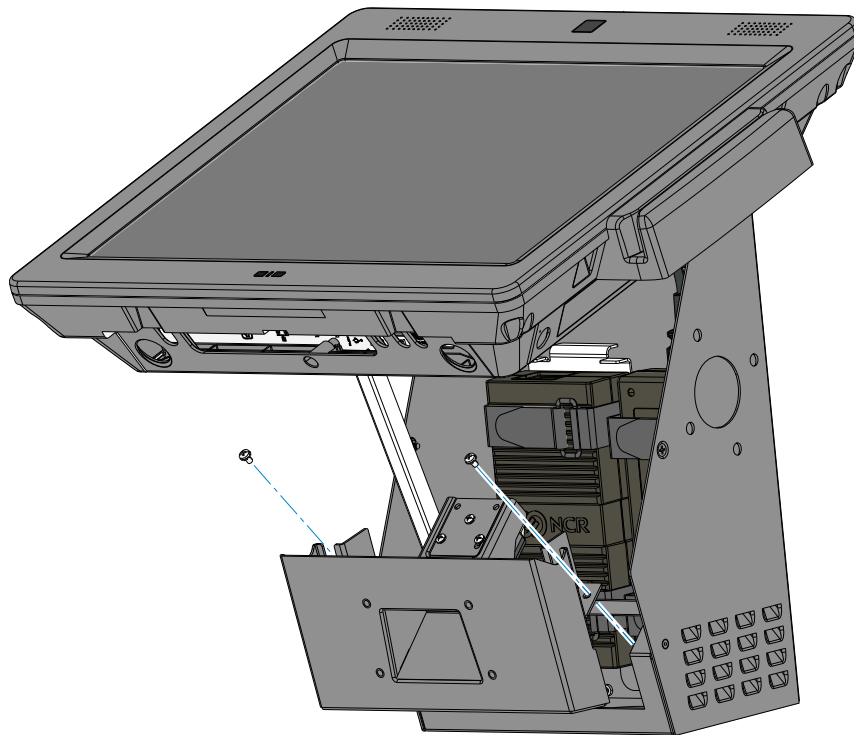
31464

5. Connect the cables to the imager and MSR devices.



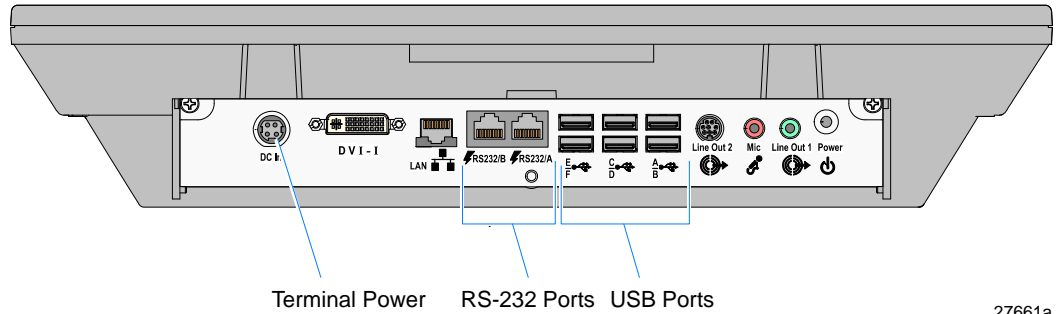
31471

6. Install the Fixed Angle Mount Faceplate on the front of the Fixed Angle Mount (2 screws).



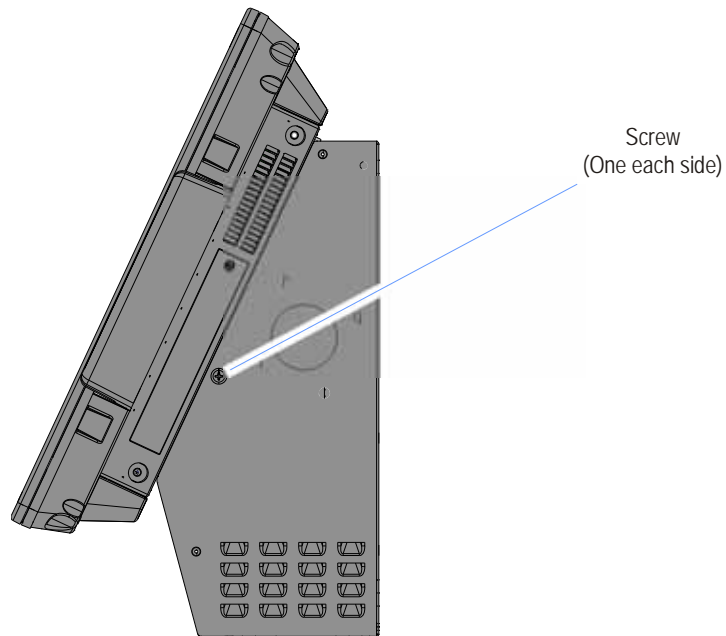
31479

7. Connect the USB cable to the terminal I/O Panel.



27661a

8. Lower the Display back to the operating position on the Fixed Angle Mount and secure it with screws (2).



31462

