

7409-K332

# Fixed Angle Mount Imaging Scanner

Kit Instructions



Issue B

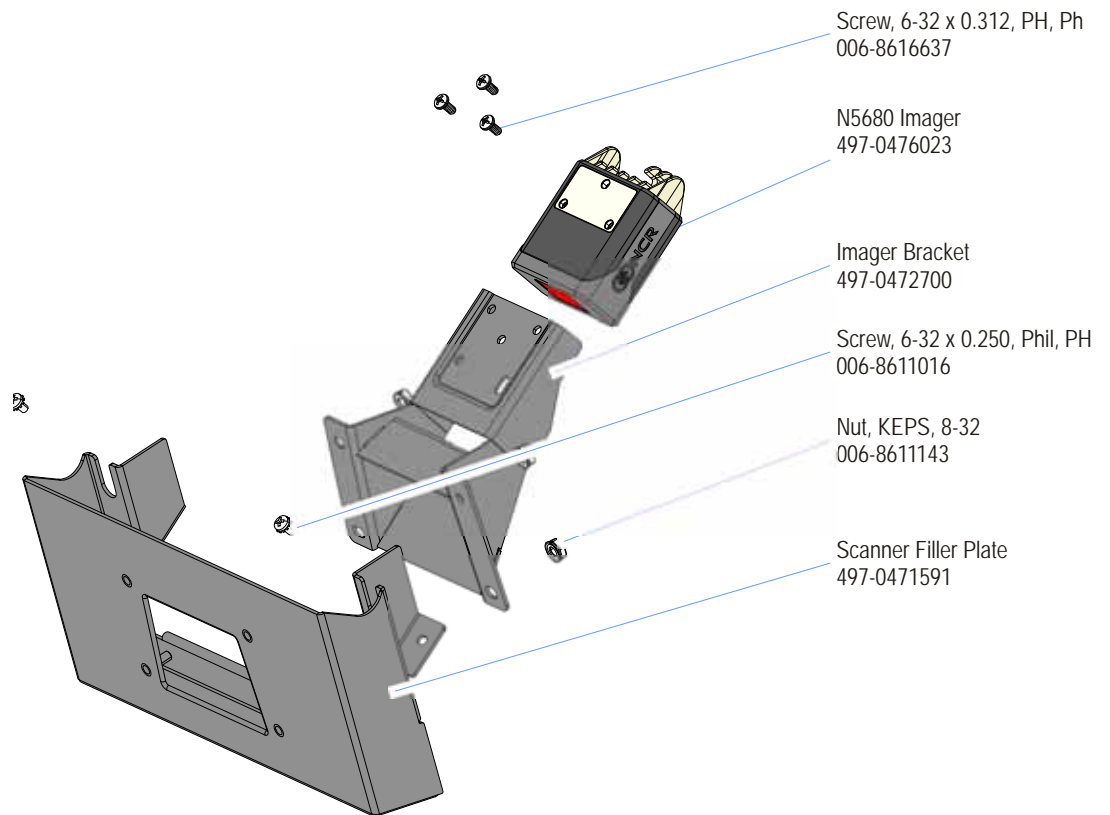
# Revision Record

Issue	Date	Remarks
A	Sept 2012	First Issue
B	July 2013	Complete revision

## Introduction

This kit provides an N5680 Imaging Scanner assembly for the NCR RealPOS 25 (7610) and the NCR RealPOS 50 (7611) terminals. The assembly installs on the front of the 7409-K035 Fixed Angle Mount.

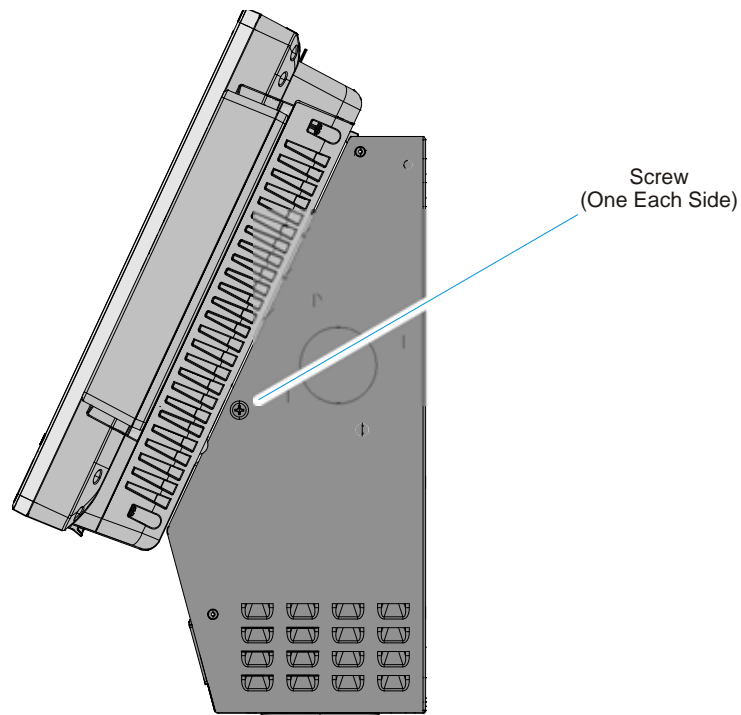
## Components



31477

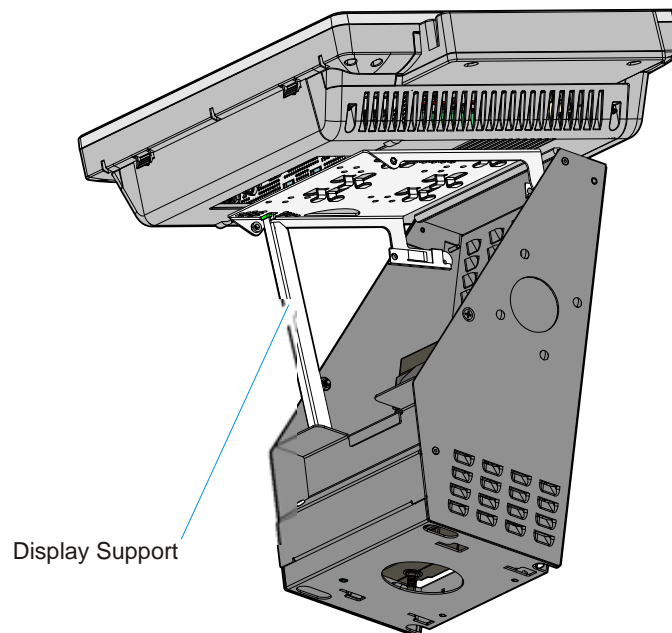
## Installation Procedures

1. Remove the screws (2) in the sides of the Fixed Angle Mount.



32464

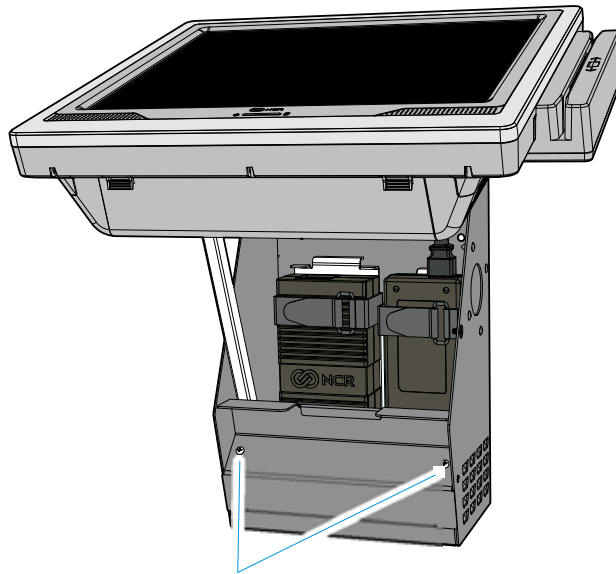
2. Rest the bottom of the display on the Display Support.



32465

**Note:** Place the Display Support behind the extension on then Display Hinge Bracket.

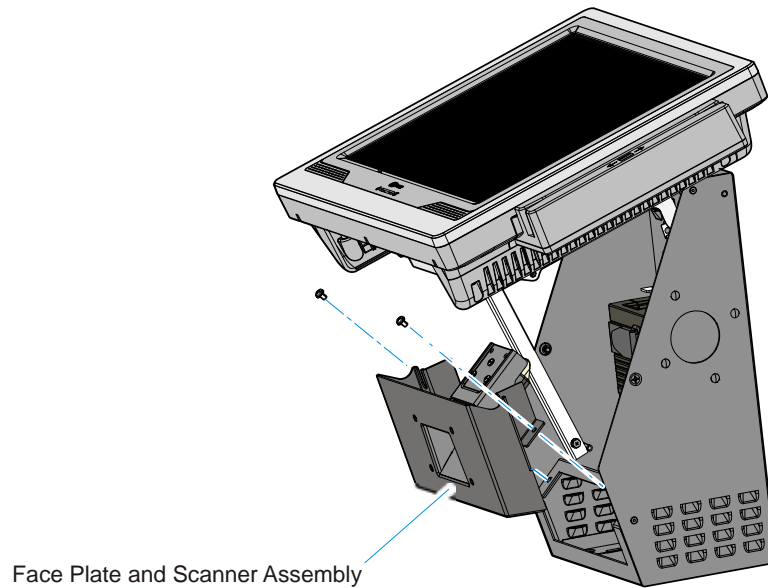
3. Remove the Blank Faceplate from the Fixed Angle Mount (2 screws).



Blank Face Plate Screws

32468

4. Install the Faceplate and Scanner Assembly on the Fixed Angle Mount.



Face Plate and Scanner Assembly

32469

