

7409-K321

Imaging Scanner

Kit Instructions



Issue A

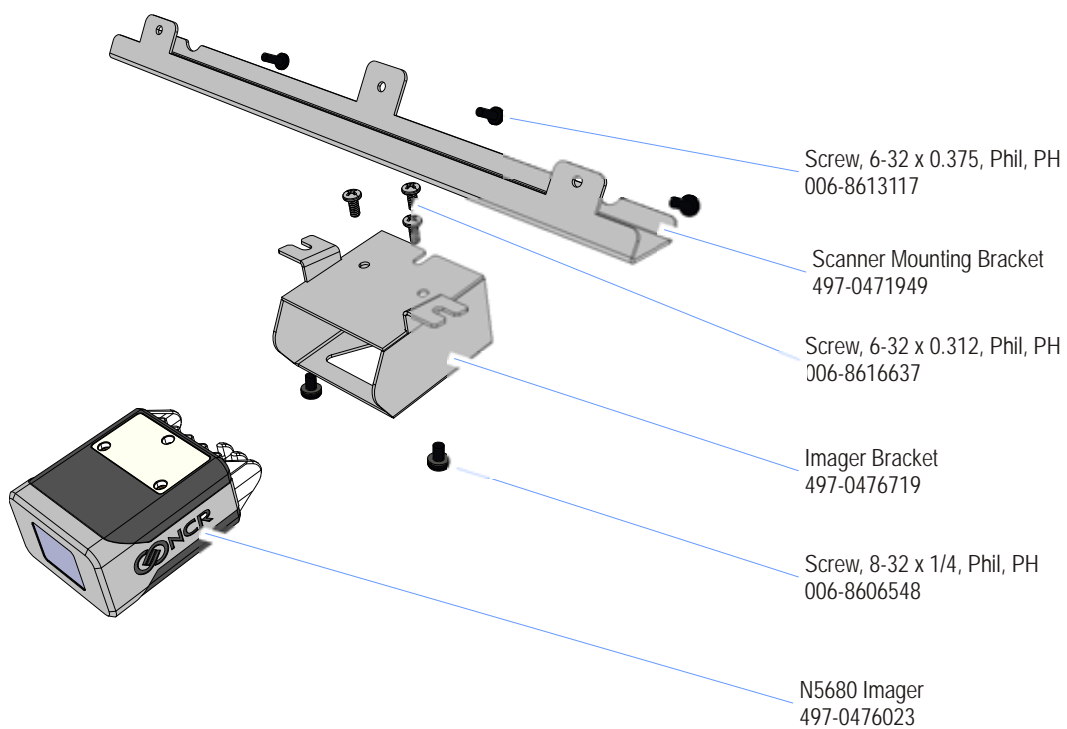
Revision Record

Issue	Date	Remarks
A	Sept 2012	First Issue

Introduction

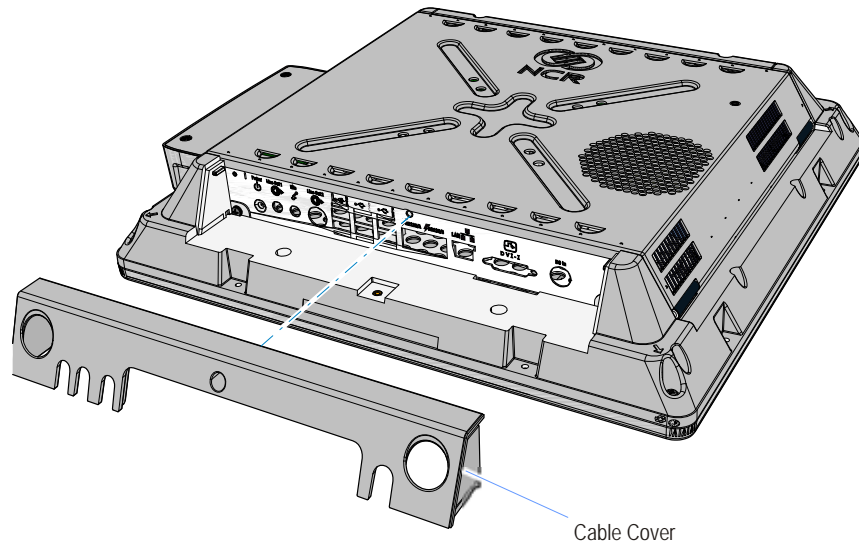
This kit provides an imaging scanner for the NCR SelfServ 60 (7409) terminal. The assembly installs on the bottom of the terminal.

Components



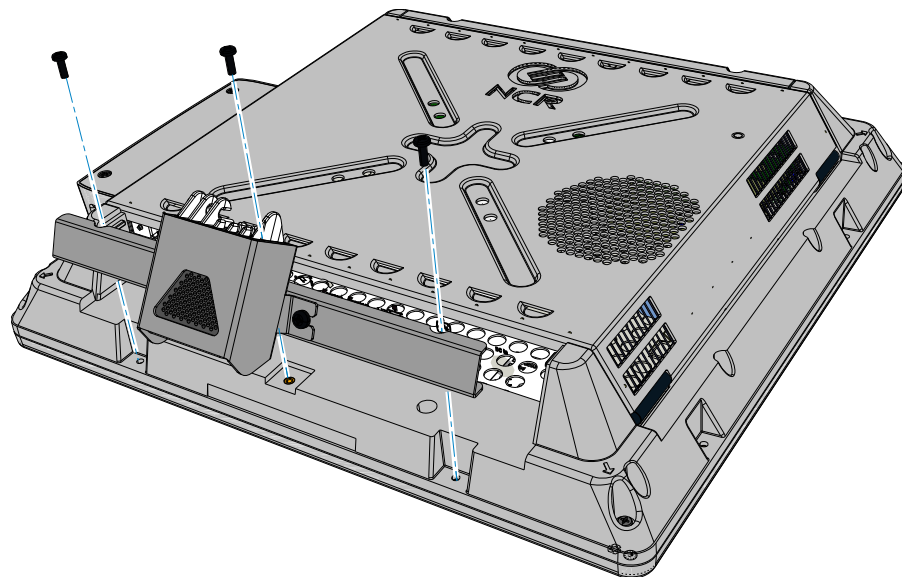
Installation Procedures

1. Unplug the Terminal Power Cable and turn off the power to any connected peripheral devices.
2. Loosen the captive screw that secures the Cable Cover and remove the cover.



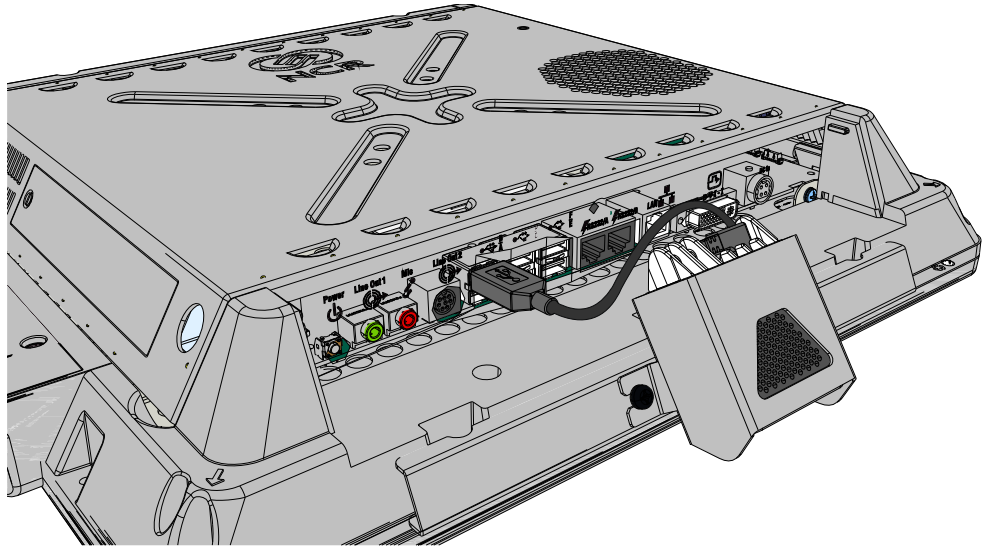
29816

3. Install the Scanner Assembly onto the bottom of the display assembly (3 screws).

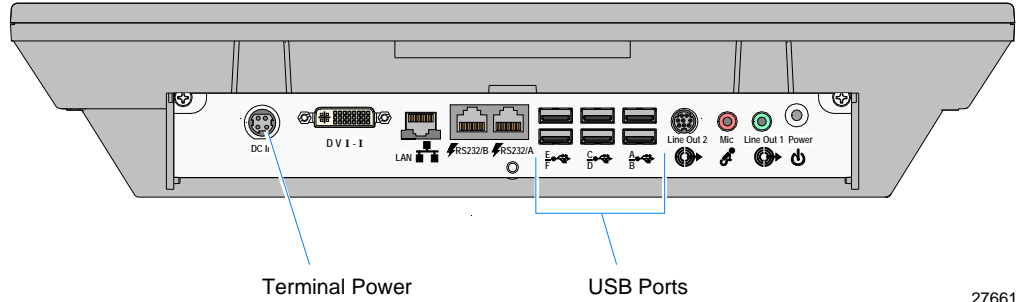


31484

4. Connect the Scanner USB Cable to the scanner and to the Terminal I/O Panel.



31485



27661

