

7409-K302

# Bar Code Scanner

Kit Instructions



Issue A

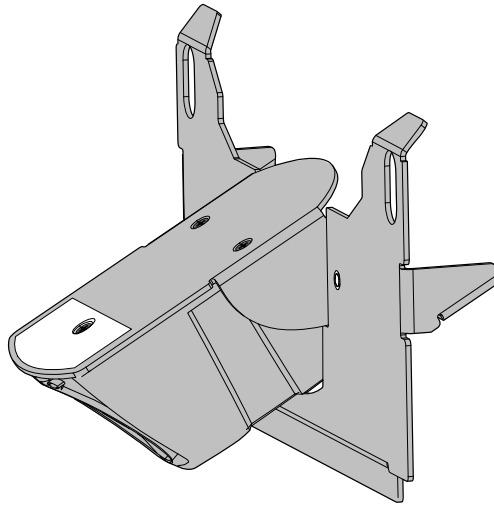
---

## Revision Record

Issue	Date	Remarks
A	Apr 2011	First issue

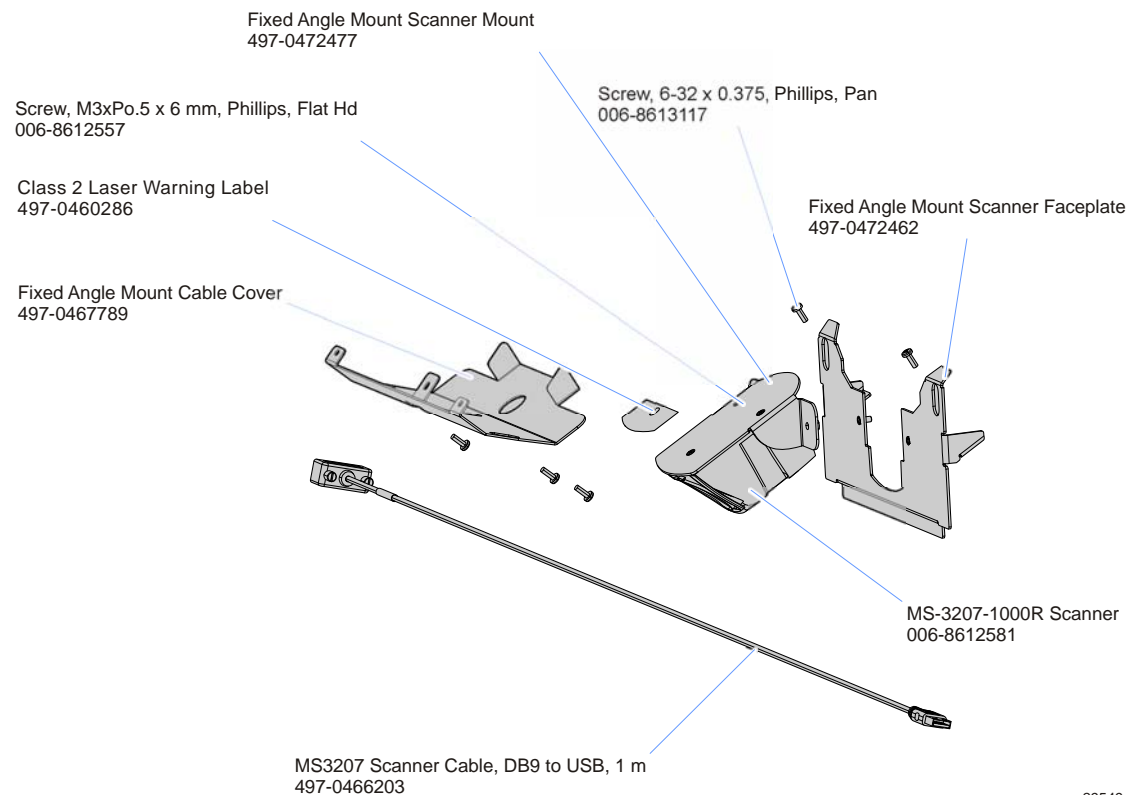
## Introduction

This kit provides Bar Code Scanner for the NCR EasyPoint Advantage (7404) and NCR SelfServ 60 (7409). The assembly installs on the front of the 7409-K035 Fixed Angle Mount.



29722

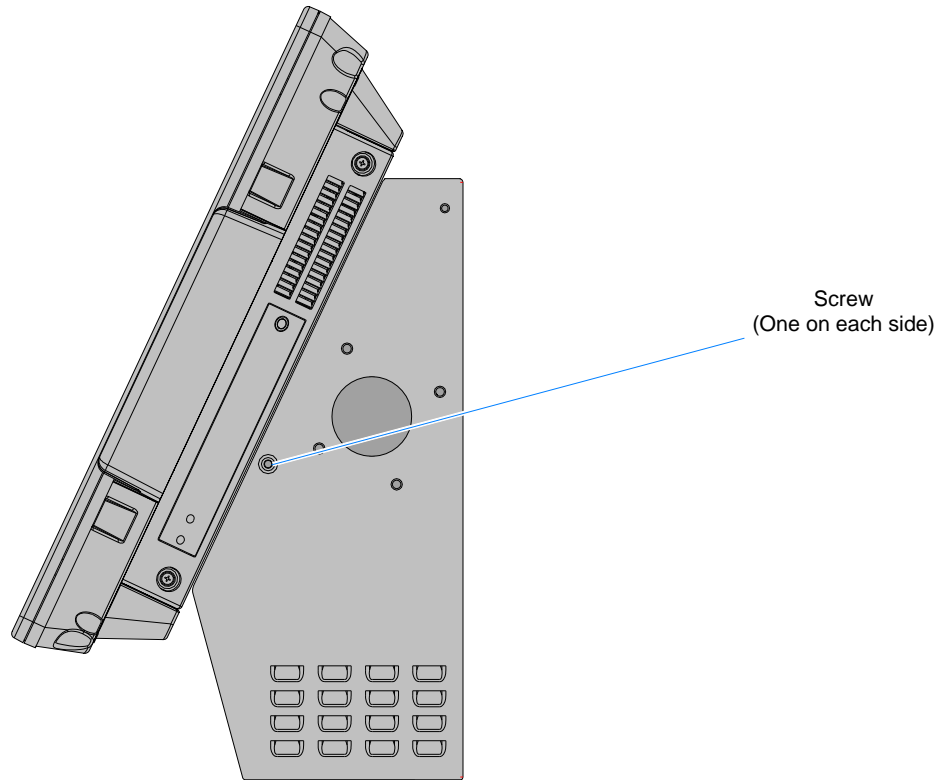
## Components



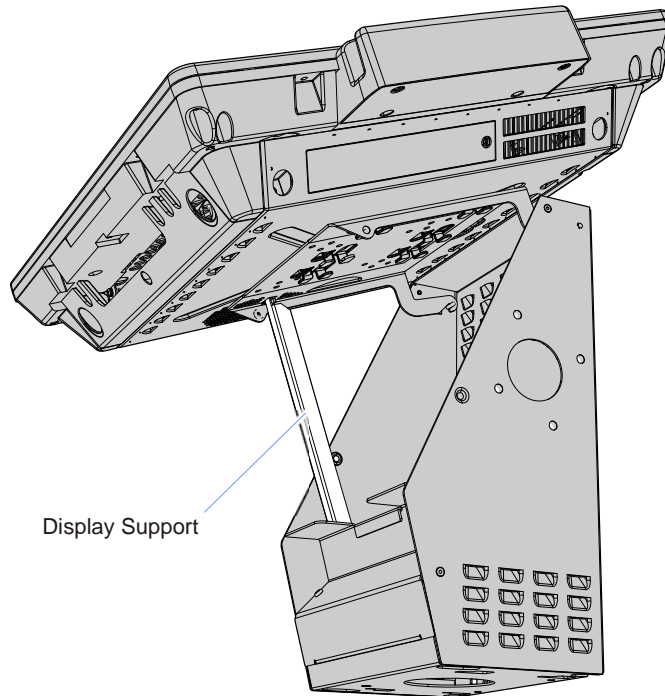
29549

## Installation Procedures

1. Unplug the terminal's power cord and turn off the power to any connected peripheral devices.
2. Open the unit to the service position.
  - a. Remove the screws (2) in the sides of the Fixed Angle Mount.

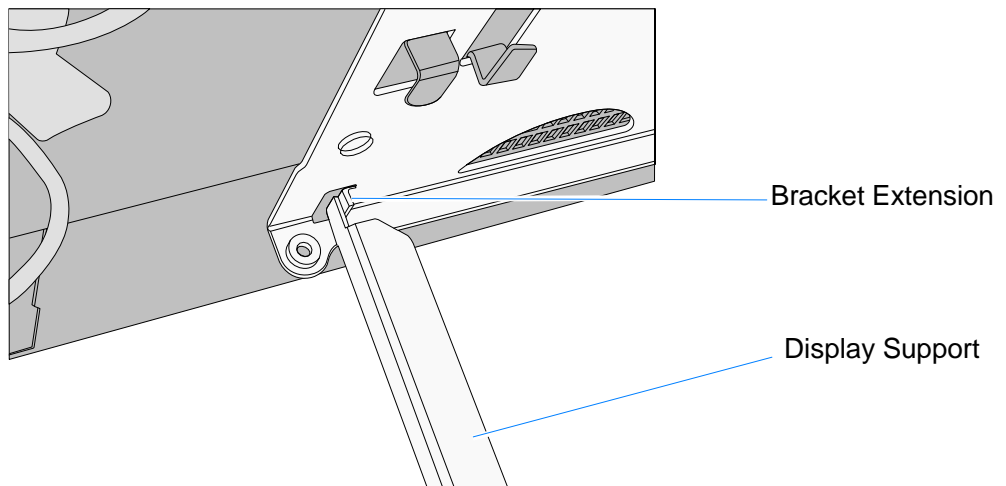


- b. Tilt the display as shown and rest the display on the Display Support.



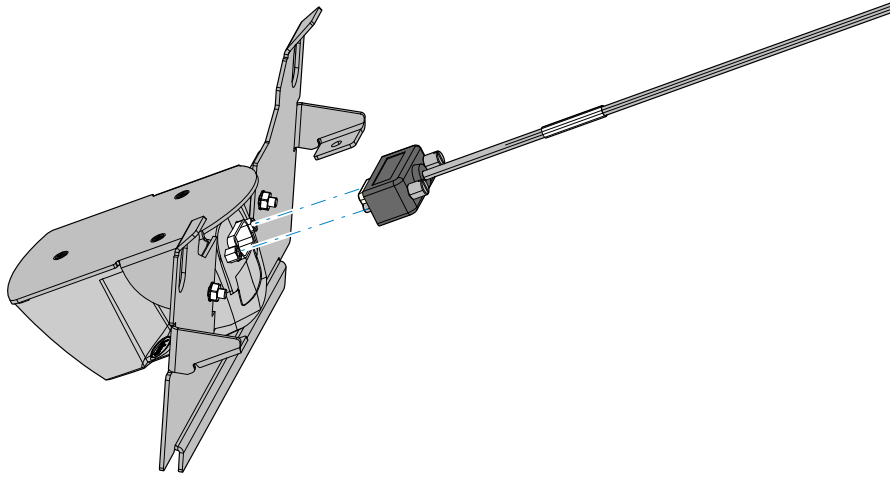
29723

**Note:** Place the Display Support behind the extension on then Display Hinge Bracket.

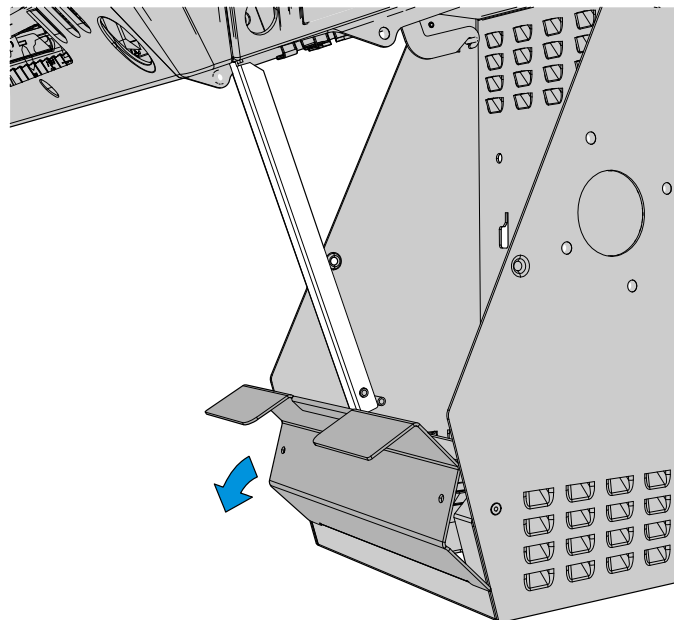
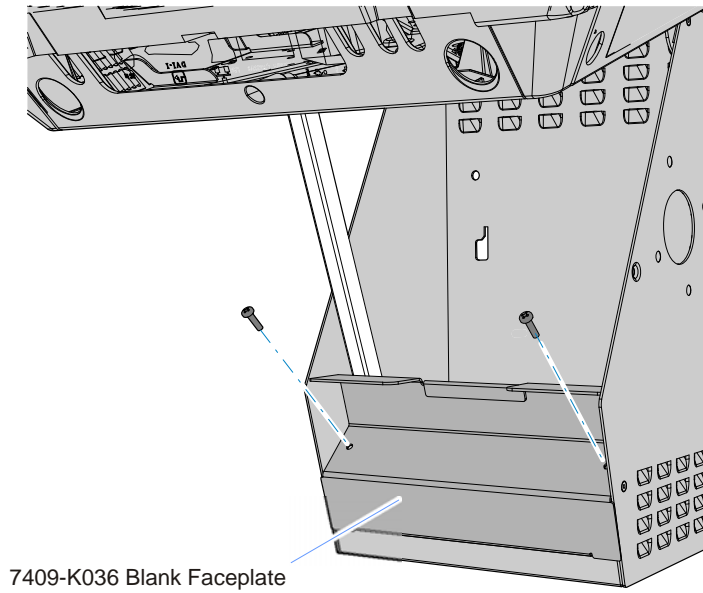


24753

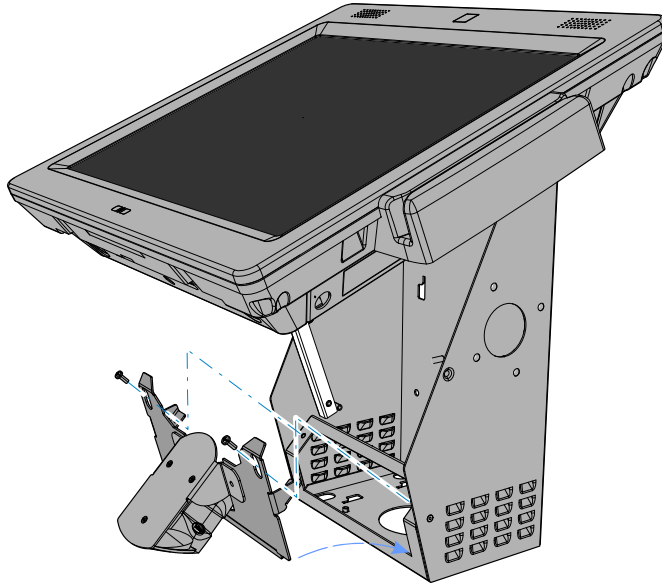
3. Connect the 1 meter Scanner Cable to the scanner.



4. Remove the screws (2) that secure the Blank Faceplate.
5. Pivot the top of the Blank Faceplate out at the top as shown to remove it from the Fixed Angle Mount.

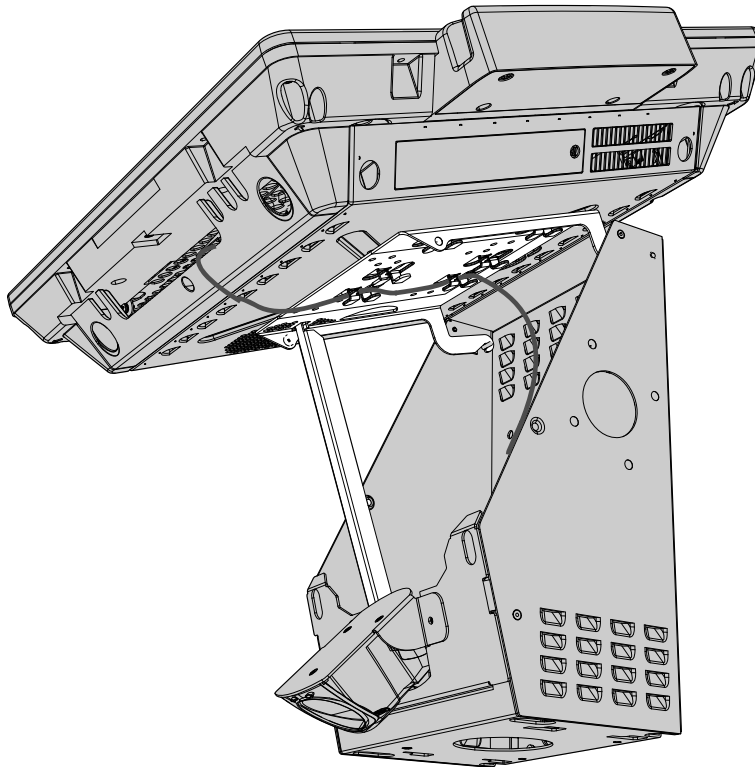


- Hook the bottom of the Scanner Faceplate onto the bottom edge of the opening on the Fixed Angle Mount and then secure the assembly with screws (2).



29546

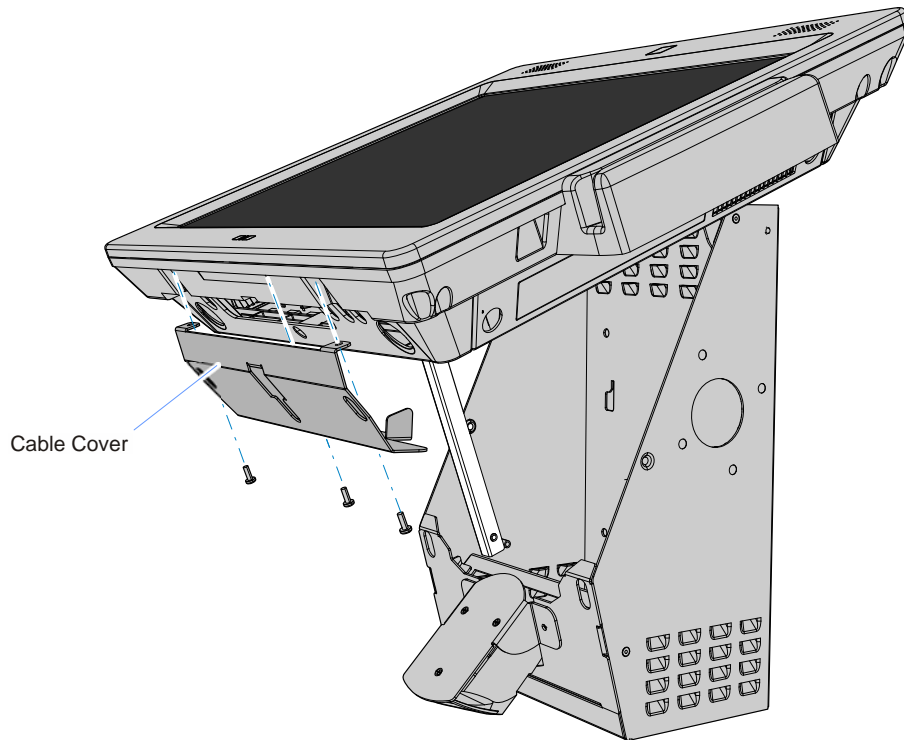
- Route the Scanner Cable through the Bracket Cable Guides on the back of the terminal and then connect it to a USB connector on the I/O Panel.



29547

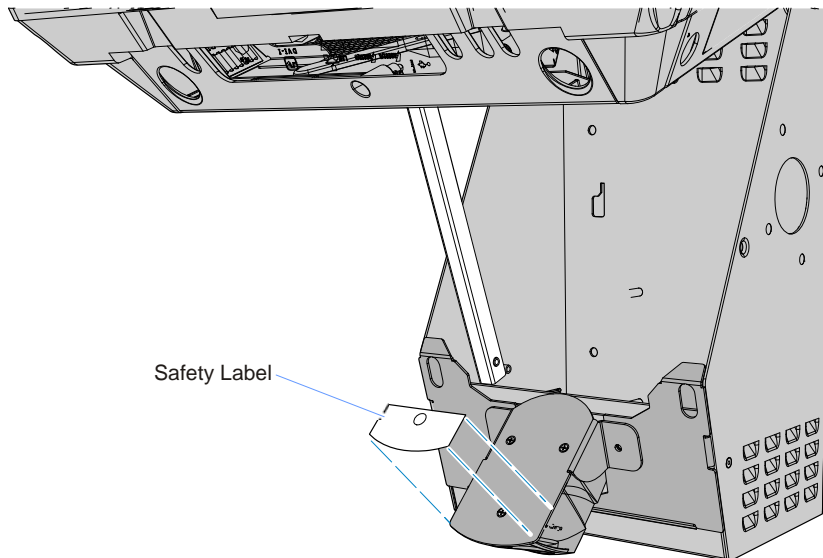


8. Install the Cable Cover on the terminal (use the same three screw holes that were used to mount the previous scanner assembly).



29522

9. Adhere the Safety Label on the Scanner Mounting Bracket as shown.



29548

10. Close the Display and secure it with screws (2).