

7409-K073

Pedestal Door Scanner

Kit Instructions



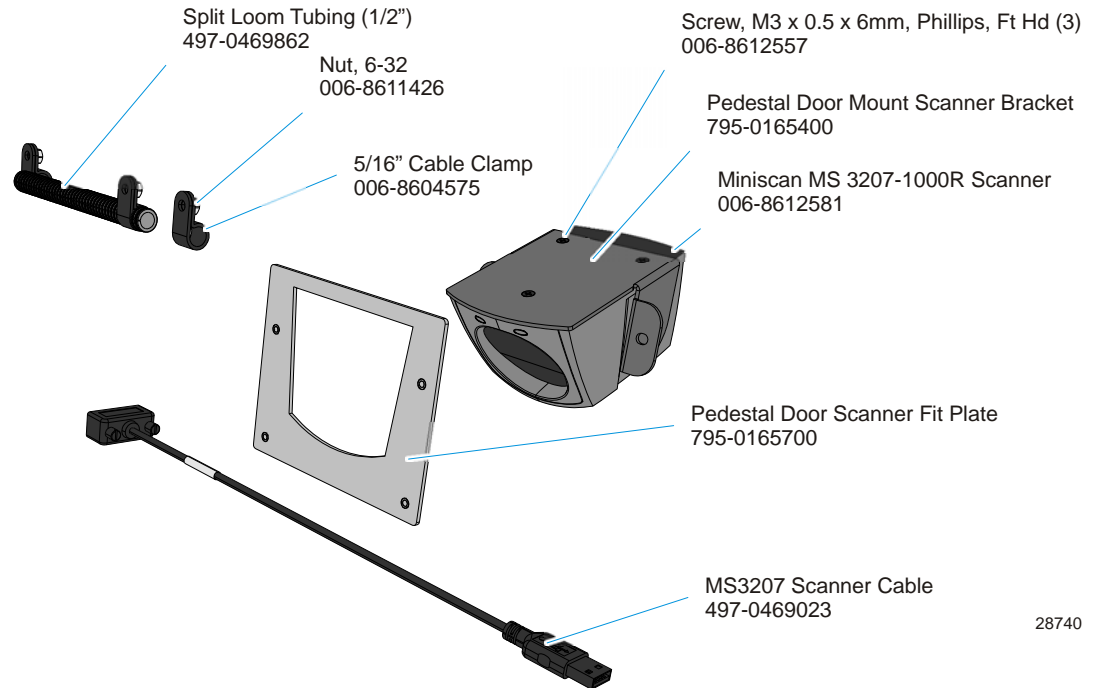
Issue A

Revision Record

Issue	Date	Remarks
A	Aug 2010	First issue

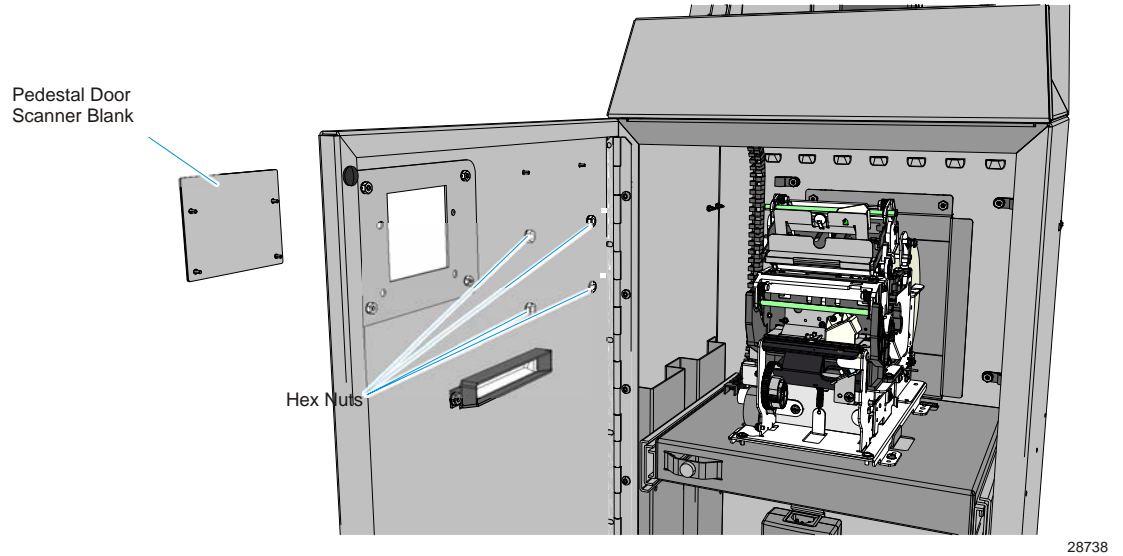
Introduction

This kit provides the components to add a Bar Code Scanner to the Front Door of a 7409-K066 pedestal.

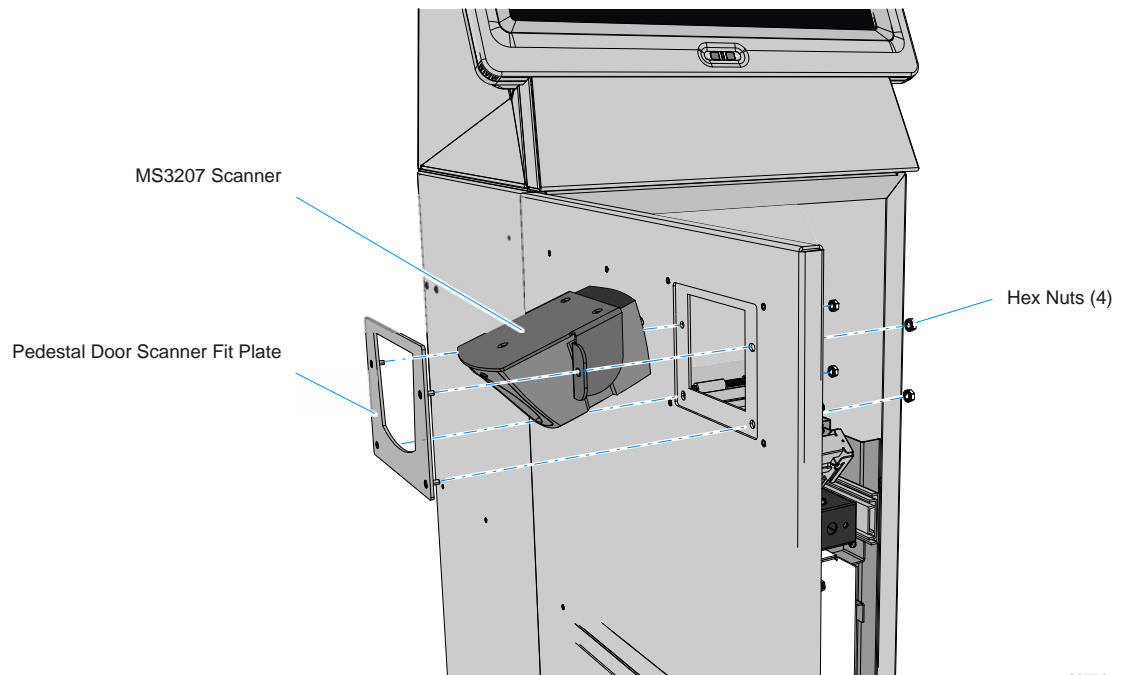


Installation Procedures

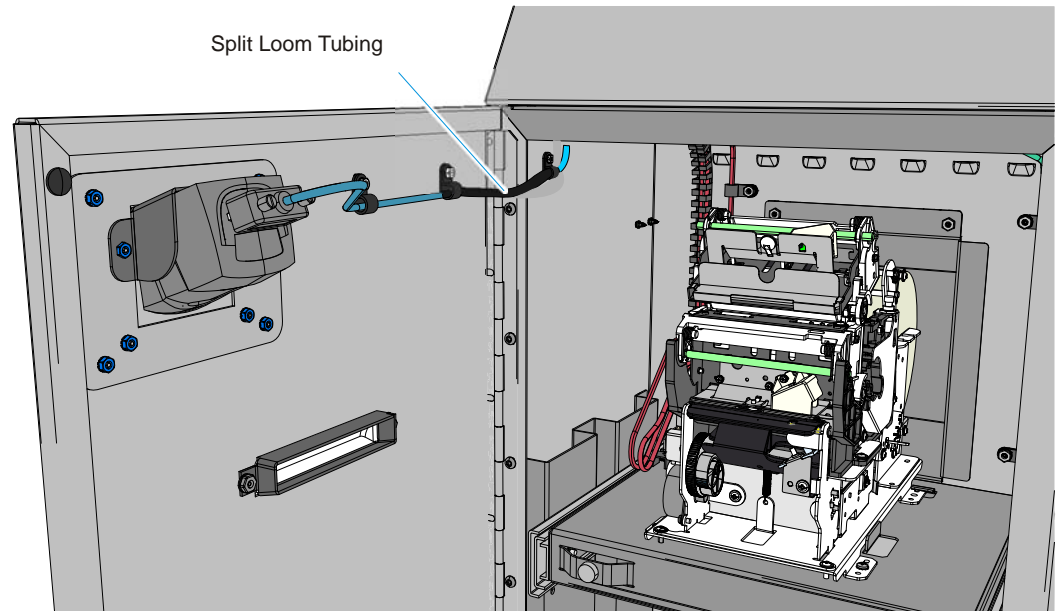
1. Open the Pedestal Door.
2. Remove the Pedestal Door Scanner Blank from the Pedestal Door (4 hex nuts).



3. Insert the Pedestal Door Scanner Fit Plate and the MS3207 Scanner in the door opening. Secure the assembly from the back with hex nuts (4).



4. Connect the MS3207 Scanner Cable to the scanner.
5. Wrap the Split Loom Tubing around the cable where the cable passes the door hinge. Secure the cable to the pedestal using Cable Clamps.



28741

6. Connect the other end of the cable to a USB port on the terminal.