

7409-K001

USB Port Security Clip

Kit Instructions



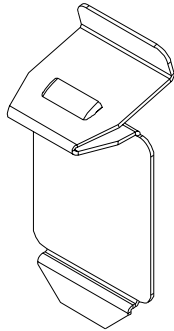
Issue A

Revision Record

Issue	Date	Remarks
A	Feb 2009	First issue

Introduction

This kit provides a metal clip that covers a pair of unused USB ports in the 7409 for security purposes.

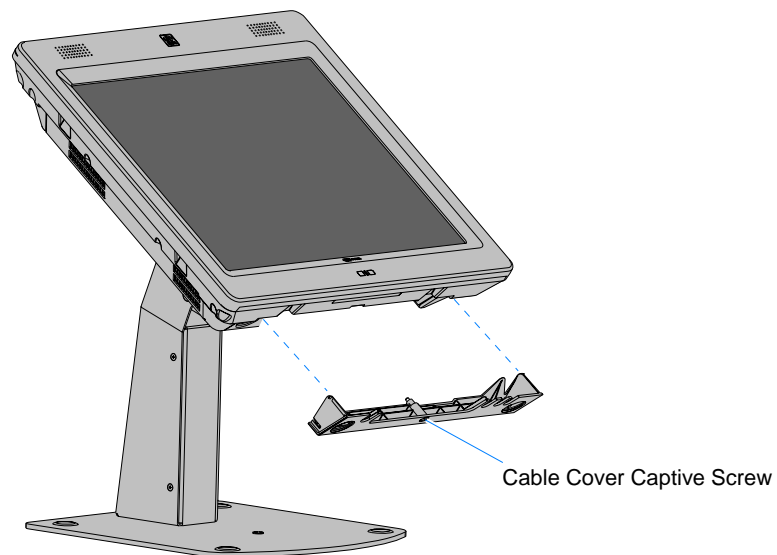


26993

Installation Procedures

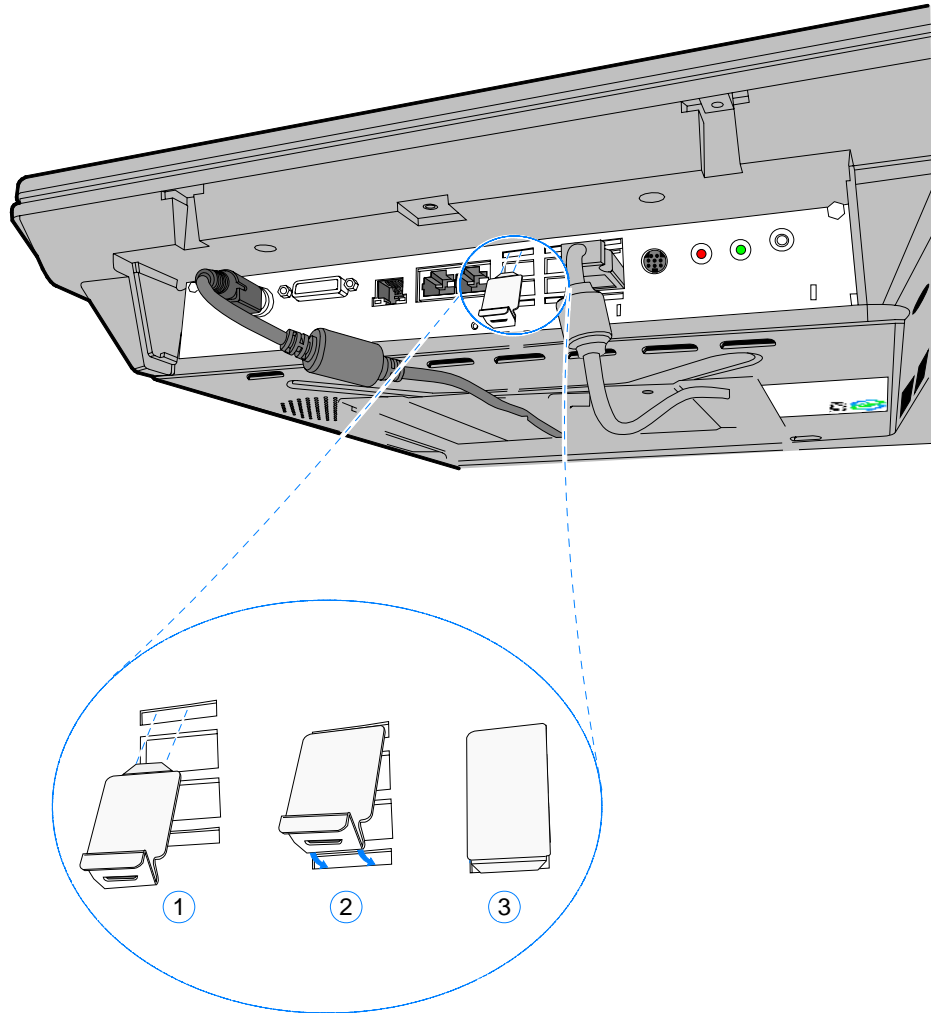
Warning: Disconnect the AC power cord before disassembling the Terminal.

1. Loosen the captive screw that secures the Cable Cover and remove the cover.



26690

2. Insert the extension on the end of the Security Clip into the slot over the unused USB port and then snap it into place as shown below.



3. Replace the Cable Cover.