

7407-K013

# Signature Capture

## Kit Instructions



Issue A

# Revision Record

---

Issue	Date	Remarks
A	Feb 2008	First issue

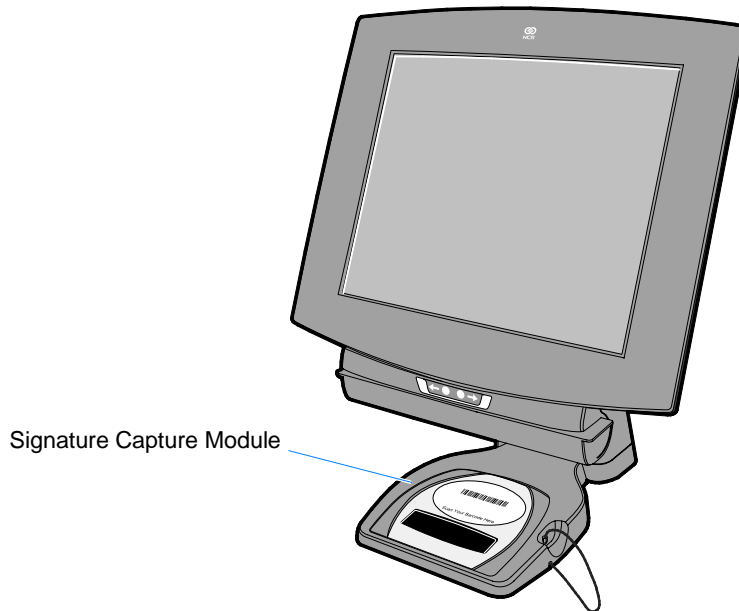
---

---

---

# Introduction

This kit adds a Signature Capture device to the 7407.

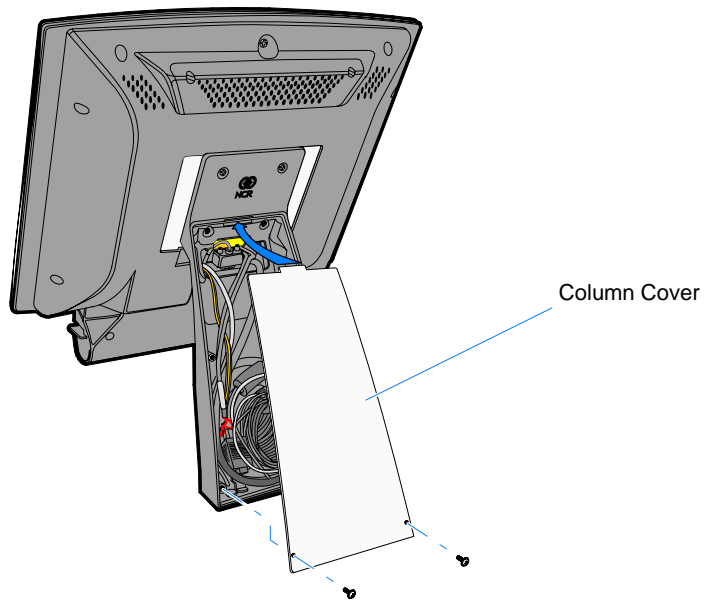


25419

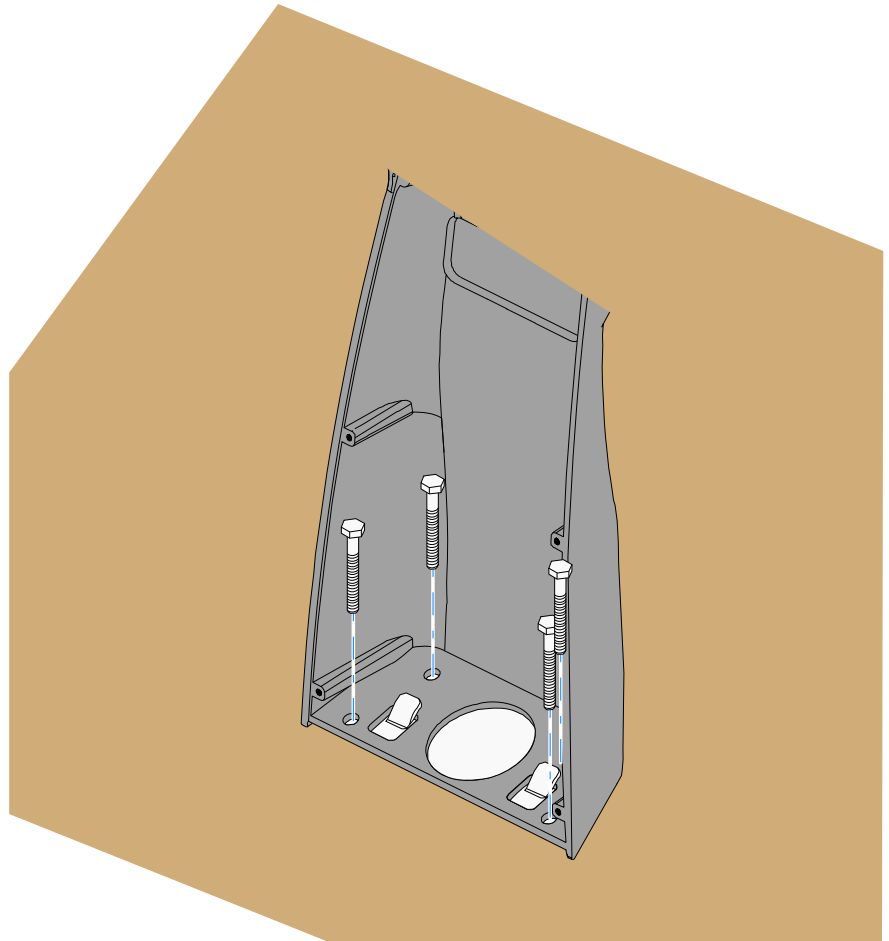
**Caution:** Static Electricity Discharge may permanently damage your system. Discharge any static electricity build up in your body by touching your computer's case for a few seconds. Avoid any contact with internal parts and handle cards only by their external edges.

## Installation Procedure

1. Turn Off the power to the system and any connected peripheral devices. Unplug the system power cord.
2. Remove the Column Cover (2 screws).

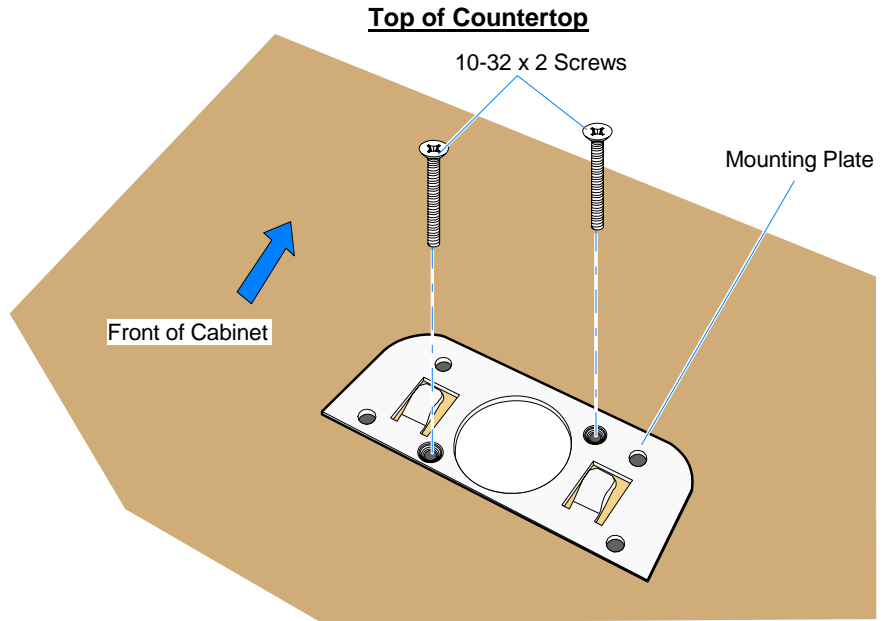


- Using a 7/16" nut driver, remove the hex bolts (4) that secure the Display Module to the countertop.

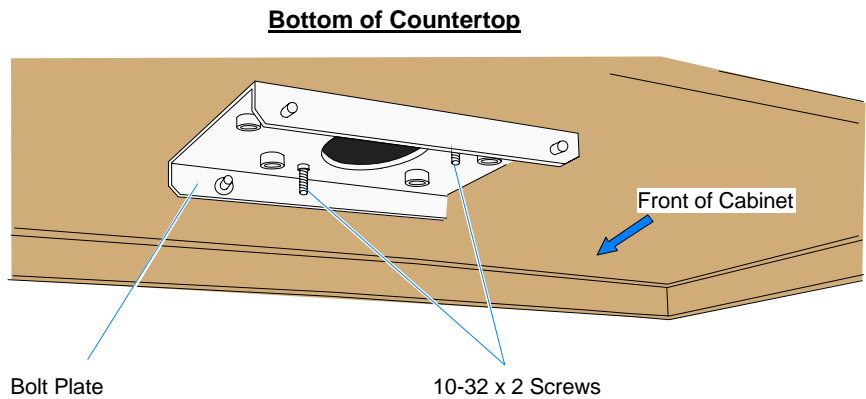


4. Remove the Mounting Plate from the countertop (2 screws).

**Note:** Hold the Bolt Plate (underneath the countertop) while removing the screws to keep it from falling.

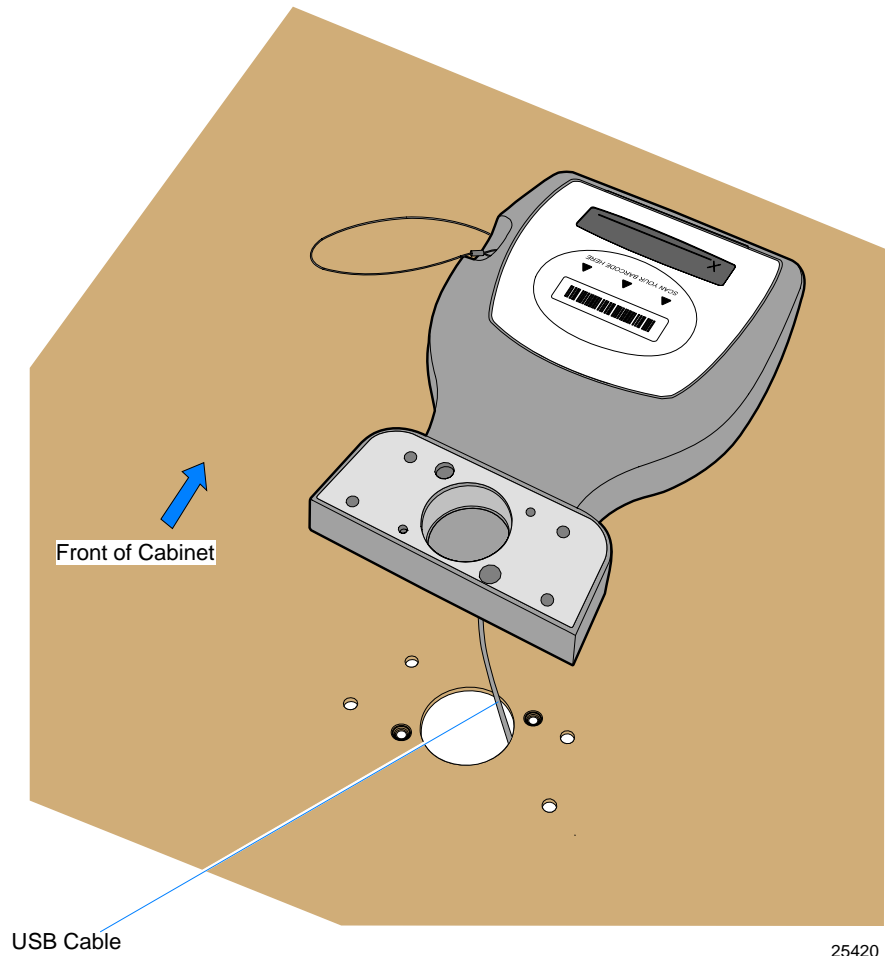


24920



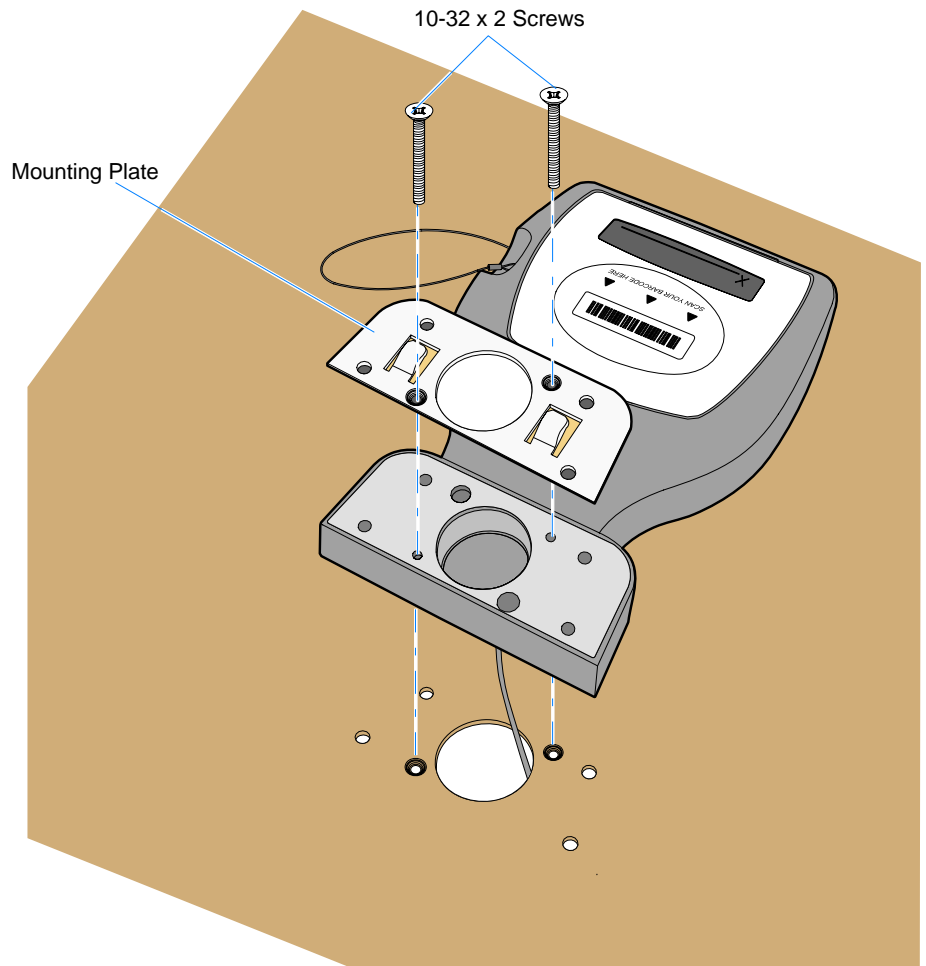
25422

5. Unpack the Signature Capture kit.
6. Route the Signature Capture USB Cable down through the hole in the countertop.



7. Insert the supplied 10-32 x 2 in. hex bolts (2) through the inner holes in the Mounting Plate, Signature Capture Base, and countertop.

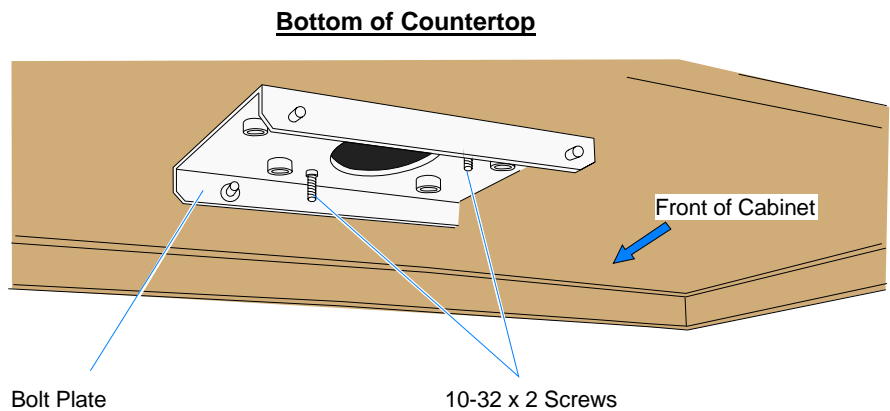
**Note:** If the supplied screws are not long enough then obtain new 10-32 screws that meet your requirements.





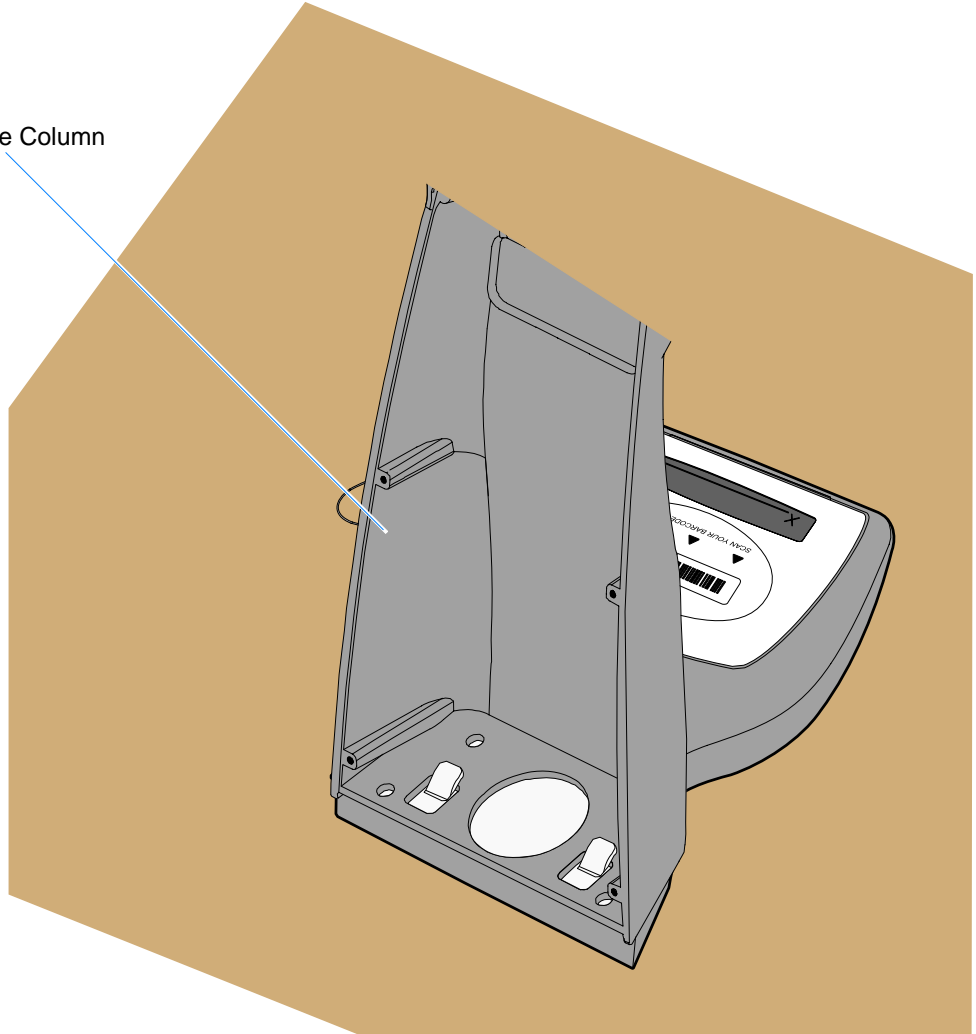
8. Place the Bolt Plate (removed earlier in Step #2) under the countertop and thread the screws through it. Secure the Mounting Plate to the predrilled holes in the countertop, using the appropriate type screws for the two *inner* holes.

**Note:** Pre-installation cabinet and countertop preparation is discussed in the *NCR 7407 XpressPort Hotel Check-In Site Preparation Guide* (B005-0000-1803).

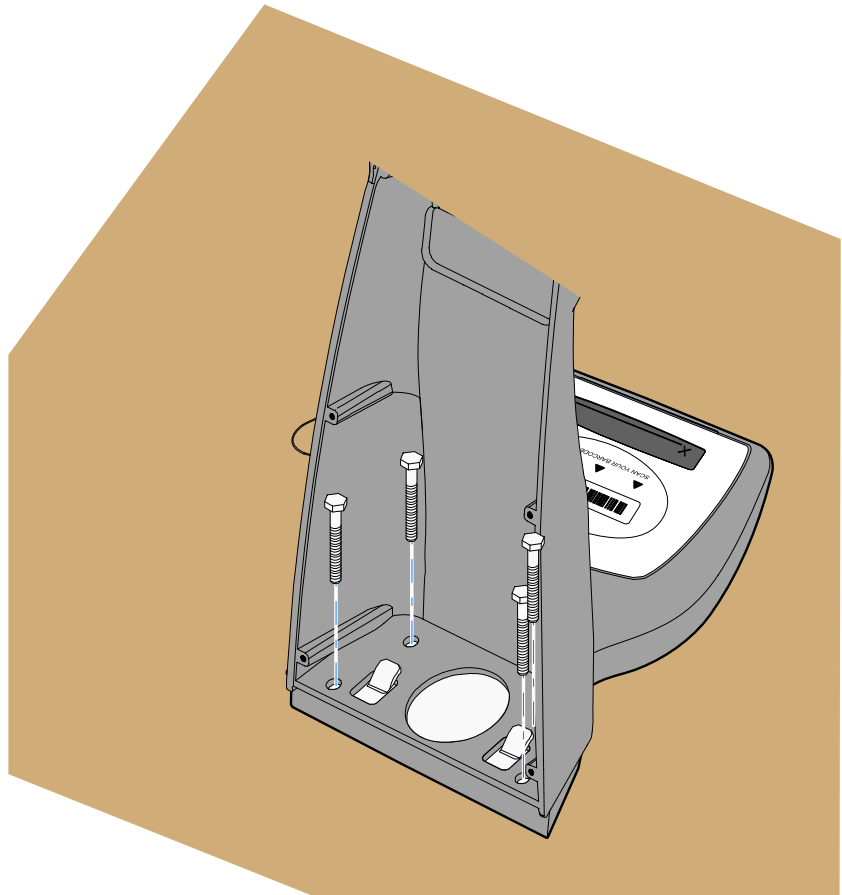


9. Remove the foam packing from the Display Module and then install the module onto the Mounting Plate

Display Module Column



10. Insert the supplied hex bolts (4) through the Column, the Mounting Plate, countertop, and screw them into the Bolt Plate.

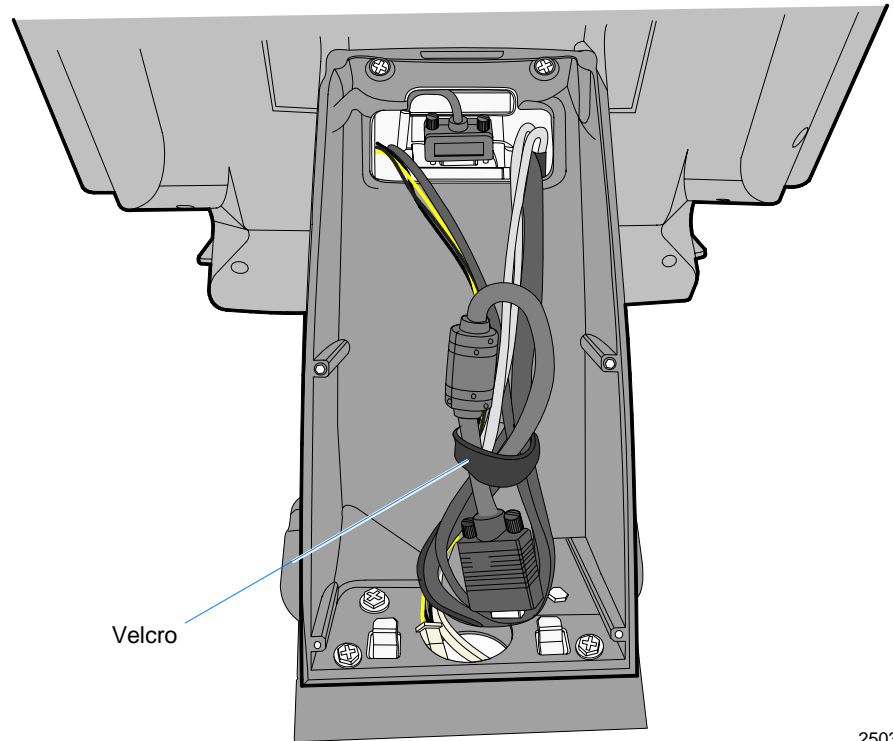


25424

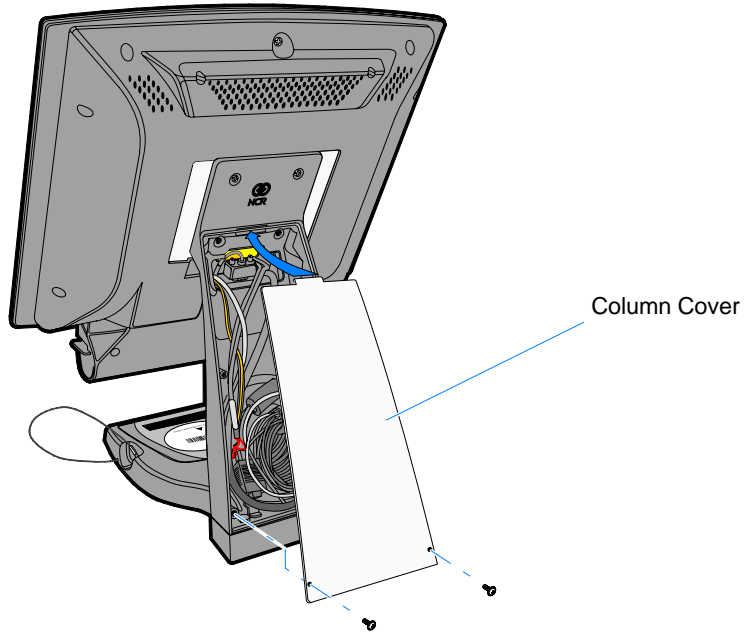
**Note:** If the supplied bolts are not the correct length for your particular countertop, obtain four  $\frac{1}{4}$ " Hex-head bolts of sufficient length, as long as needed but not so long that they may interfere with the cable routing underneath the countertop.

11. Tighten the bolts evenly using a  $\frac{7}{16}$ " nut driver.

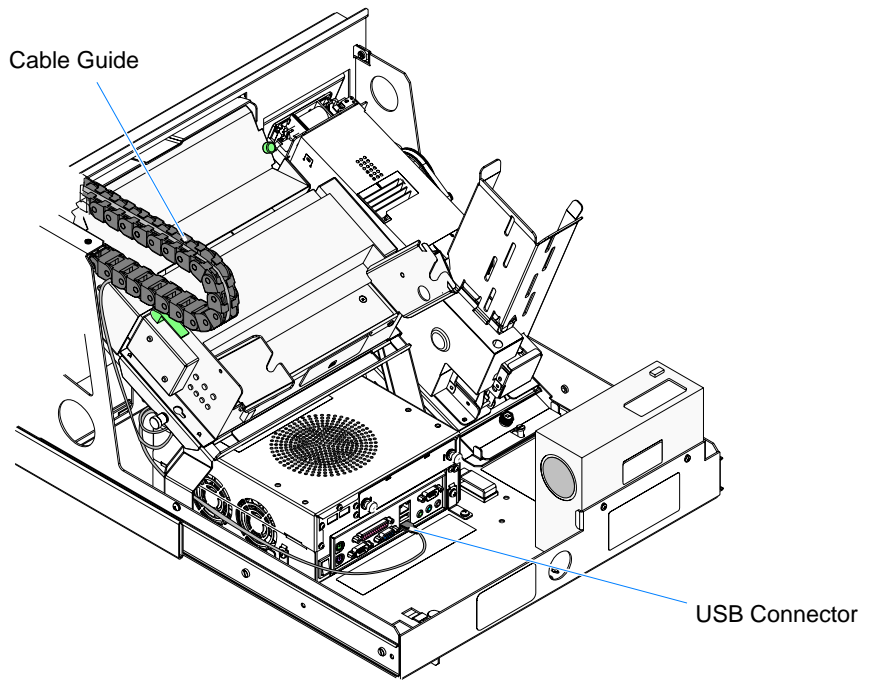
12. Bundle the cables inside the Display Column using the supplied Velcro Tie or a Tie Wrap.



13. Install the Column Cover. Slide the upper tab into the slot and secure it with screws (2) in the bottom.



14. Snap the Signature Capture USB Cable into the Cable Guide.



25425

15. Route the coiled cable beside the printer and connect it to a USB port on the Output Module.