

7402-K598

Pedestal Sign Holder

Kit Instructions



Issue A

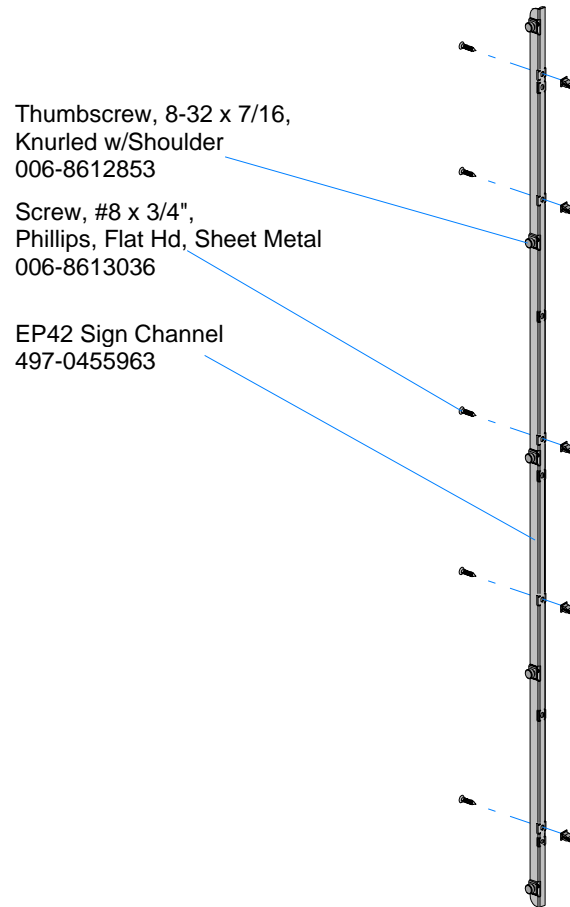
Revision Record

Issue	Date	Remarks
A	Apr 2009	First issue

Introduction

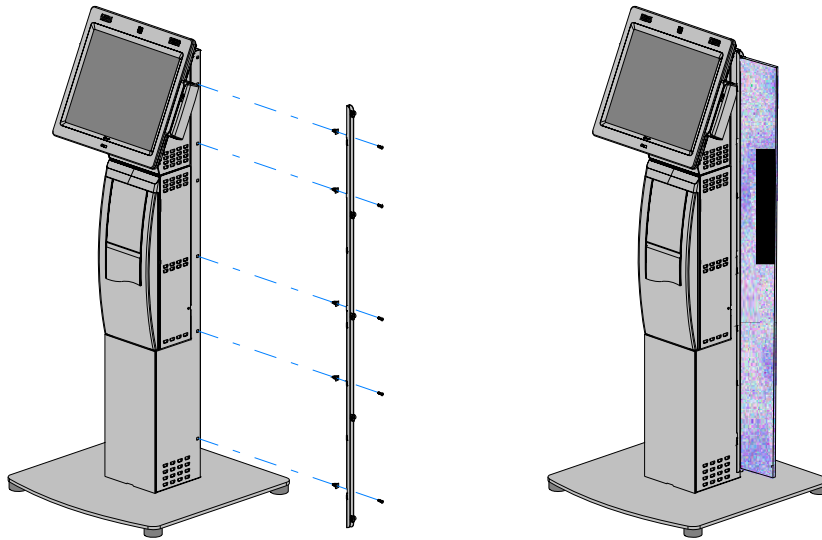
This kit provides a channel to hold an information sign on the either side of the 2336-K052 or 7409-K055 floor pedestals.

Note: Two channels (two kits) can be used to support a full wrap-around sign.



Installation Procedures (2336-K052 Pedestal)

1. Install the grommets (5) into the square holes on the side of the pedestal.
2. Secure the Sign Channel to the pedestal with screws (5).
3. Insert the sign into the bracket and secure it with the thumbscrews.

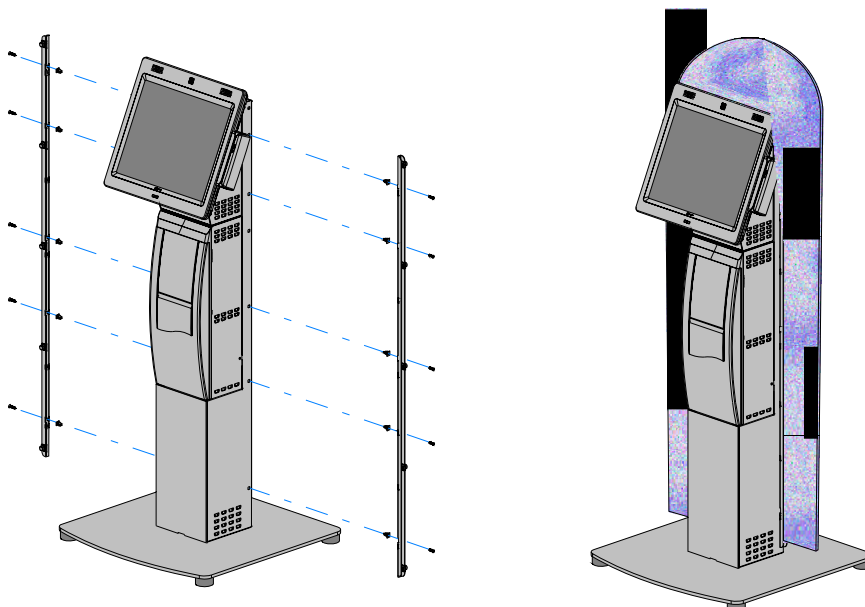


27613

Full Wrap-Around Sign

Two channels can be used if it is desirable to install a sign that wraps around the pedestal.

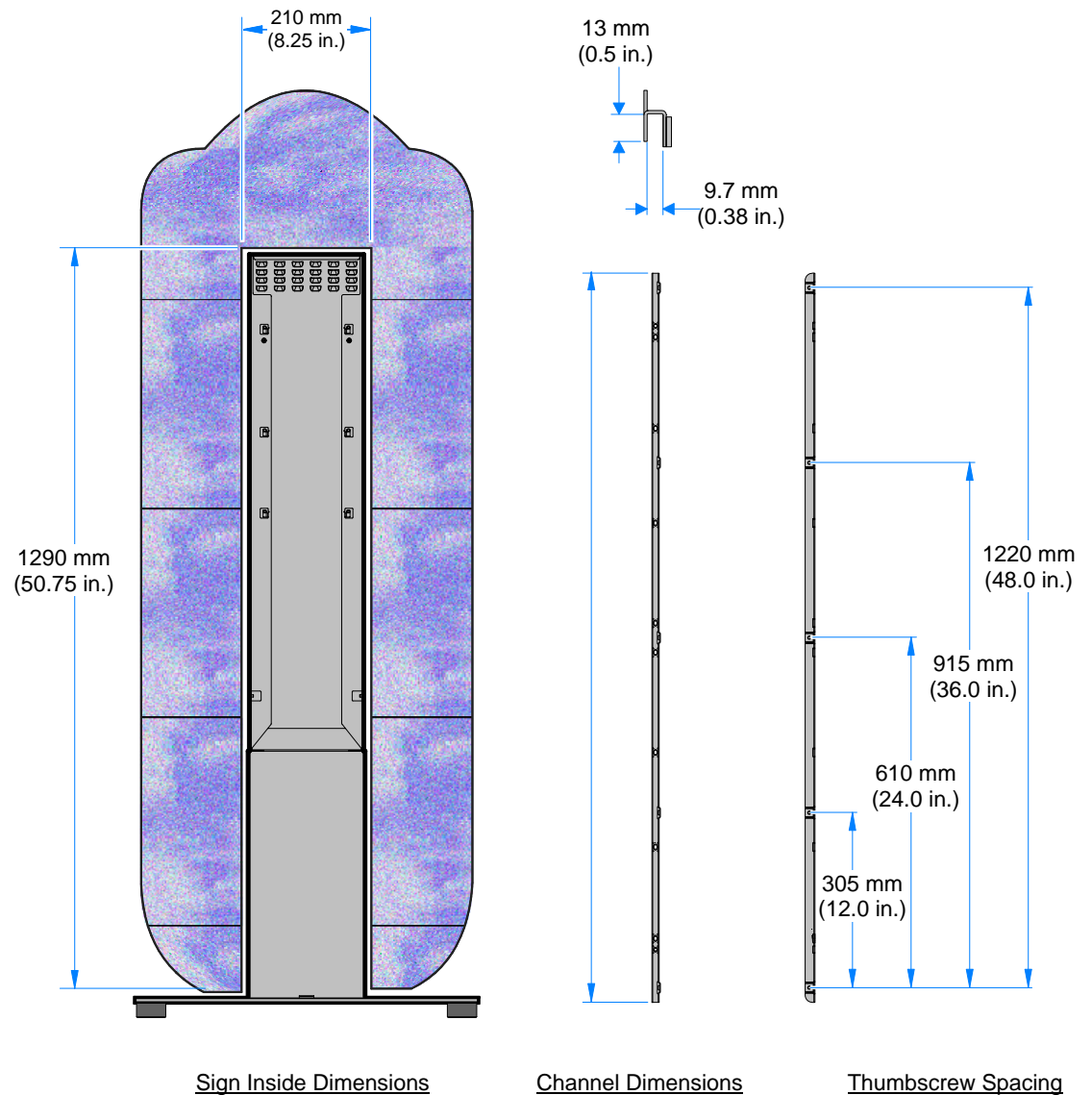
1. Install a Sign Channel on each side of the pedestal as discussed above.
2. Insert the sign into the brackets and secure it with the thumbscrews.



27615

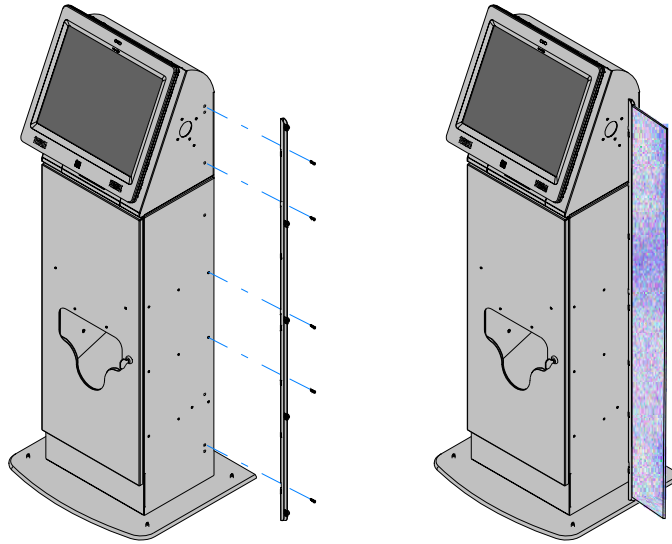
Dimensions

Use the dimensions below to create the full wrap-around sign. The sign can have a maximum thickness of 11 mm (0.45 in.). The thumbscrews that secure the sign are spaced 305 mm (12 in.) apart.



Installation Procedures (7409-K055 Pedestal)

1. Install the grommets (5) into the square holes on the side of the pedestal.
2. Secure the Sign Channel to the pedestal with screws (5).
3. Insert the sign into the bracket and secure it with the thumbscrews.

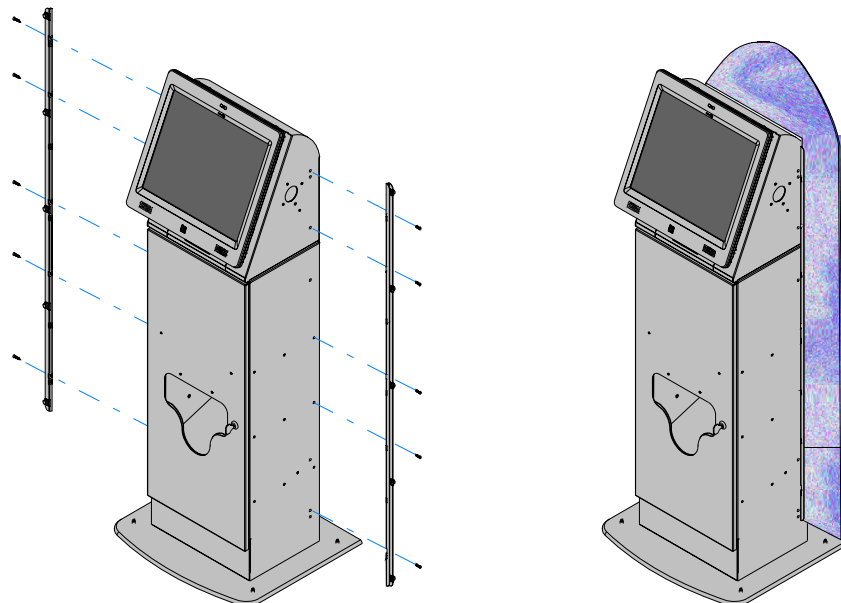


27619

Full Wrap-Around Sign

Two channels can be used if it is desirable to install a sign that wraps around the pedestal.

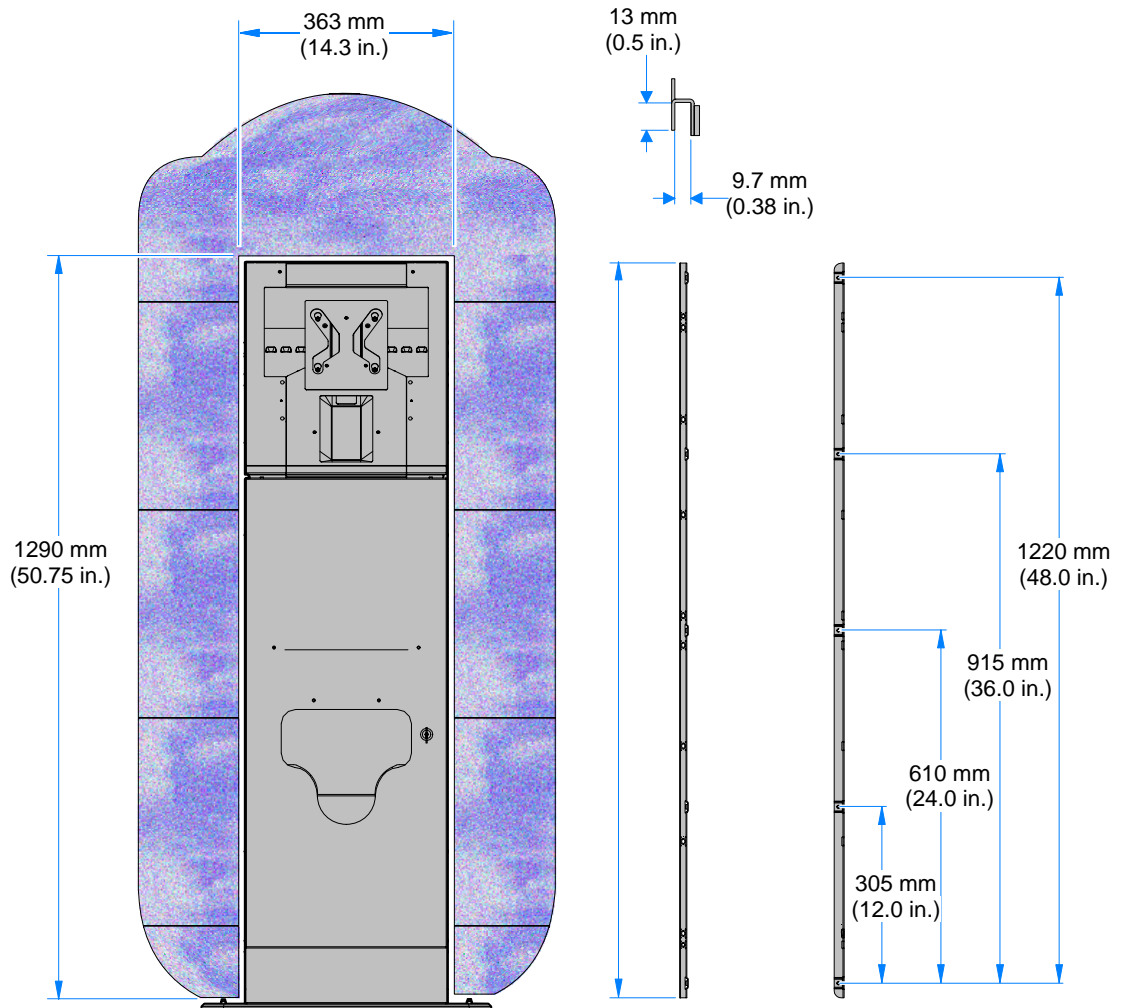
1. Install a Sign Channel on each side of the pedestal as discussed above.
2. Insert the sign into the brackets and secure it with the thumbscrews.



27614

Dimensions

Use the dimensions below to create the full wrap-around sign. The sign can have a maximum thickness of 11 mm (0.45 in.). The thumbscrews that secure the sign are spaced 305 mm (12 in.) apart.



Sign Inside Dimensions

Channel Dimensions

Thumbscrew Spacing