

7402-K568

**Wall Mount Bracket with  
Wide Keyboard Shelf**  
Kit Instructions



Issue B

# Revision Record

---

Issue	Date	Remarks
A	May 2006	First issue
B	May 2007	Added 7404 support

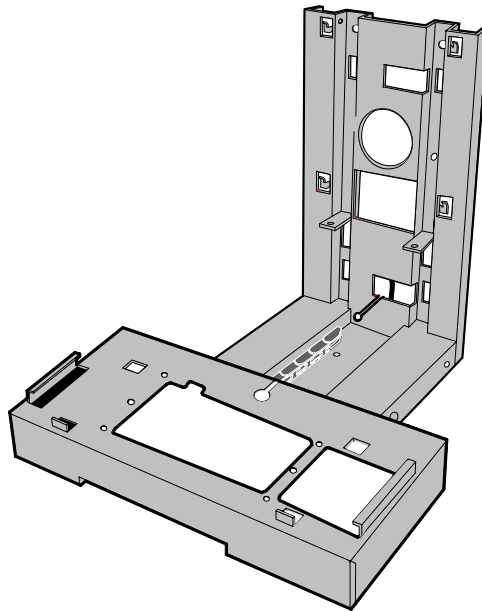
---

# Introduction

**Note:** This kit is the RoHS version of 7402-K543.

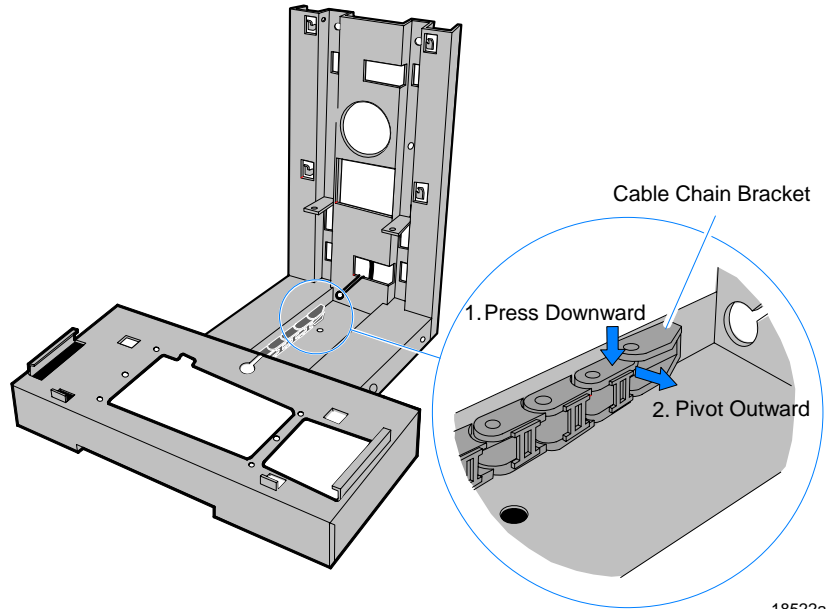
This kit is used to mount an NCR 7402/7404 w/Fixed Angle Mount to a wall. The mount has a sliding keyboard Shelf for the following keyboards (ordered separately):

- 2336-K100 Cherry Keyboard w/Trackball; PS/2 Serial.
- 2336-K634 Cherry Keyboard w/Trackball; USB
- 2336-K212 Rugged Storm Keyboard US Layout; USB



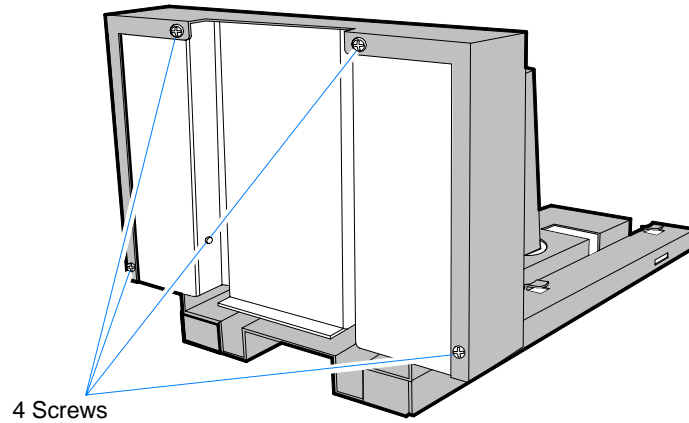
## Installation Procedure

1. Release the Cable Chain from the Cable Chain Bracket by pressing down and pivoting out on the last link in the Cable Chain Link as shown below.



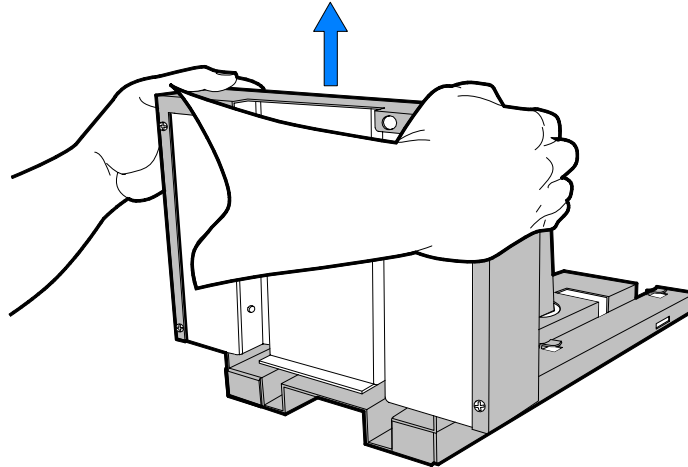
18522a

2. Remove the screws that secure the Keyboard Shelf to the Bottom Plate.



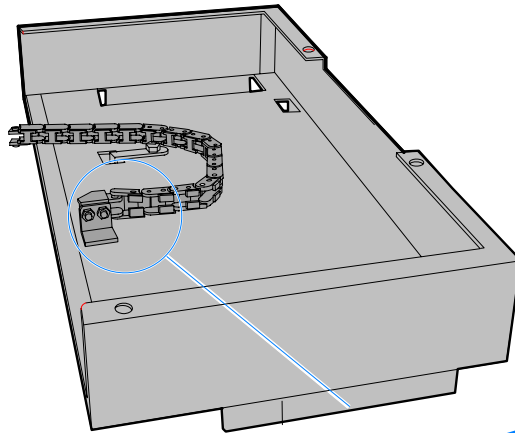
17364

3. Remove the Keyboard Shelf from the Bottom Plate.

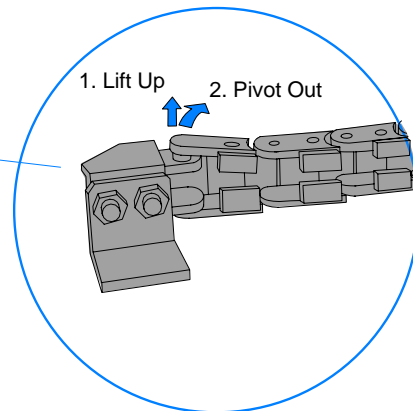


17365

4. Release the Cable Chain from the Cable Chain Bracket by lifting up on the last link in the Cable Chain and pivoting it out.



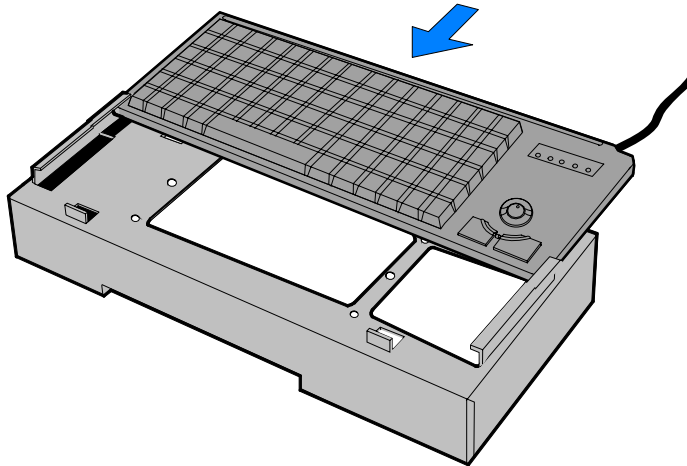
Cable Chain Bracket



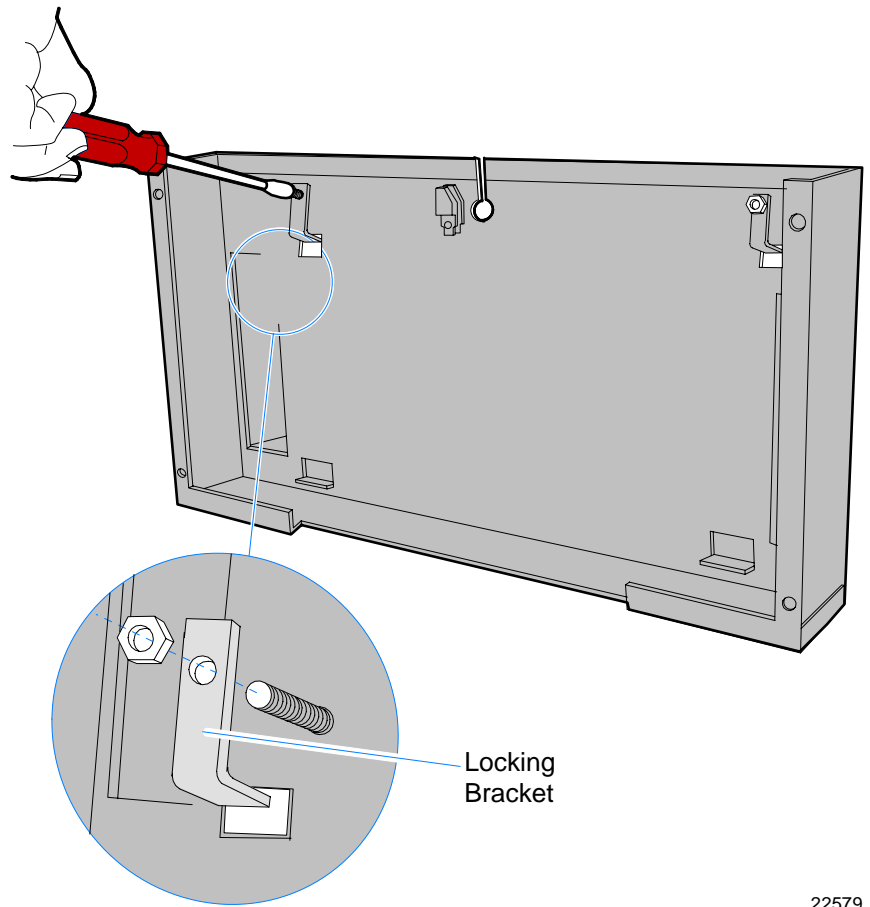
5. Install the Keyboard. The Keyboard installation procedures vary, depending on which keyboard you have.

***2336-K020, 2336-K100 or 2336-K634 Cherry Keyboard w/Trackball***

- a. Insert the Keyboard into the Keyboard Shelf.

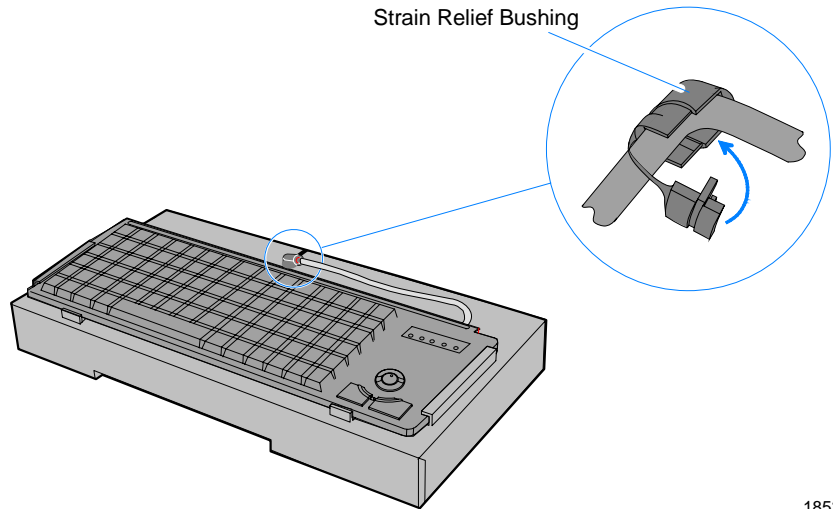


- b. Using a nut driver, install the two Keyboard Locking Brackets.





- c. Route the Keyboard Cable through the channel in the Keyboard Shelf and then install a Strain Relief Bushing.



18526

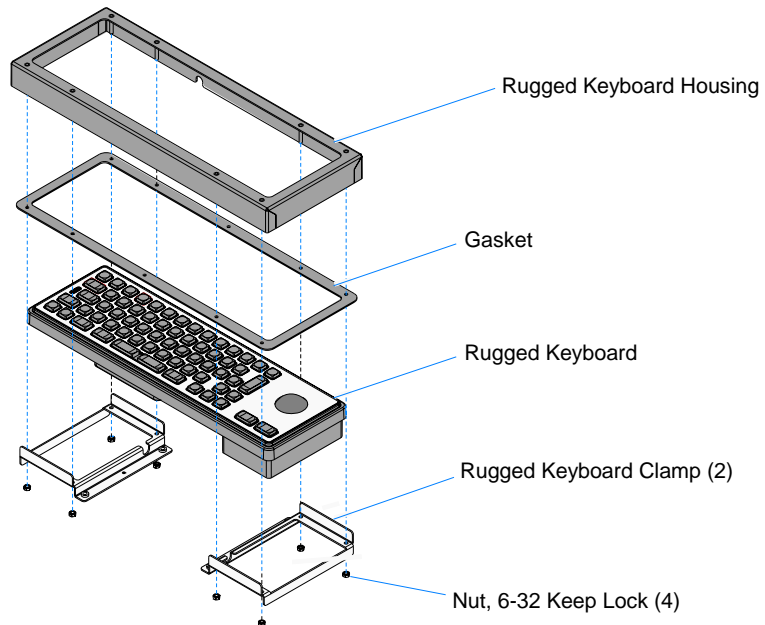
- d. Proceed to Step #6.

### 2336-K212 Rugged Keyboard w/Trackball

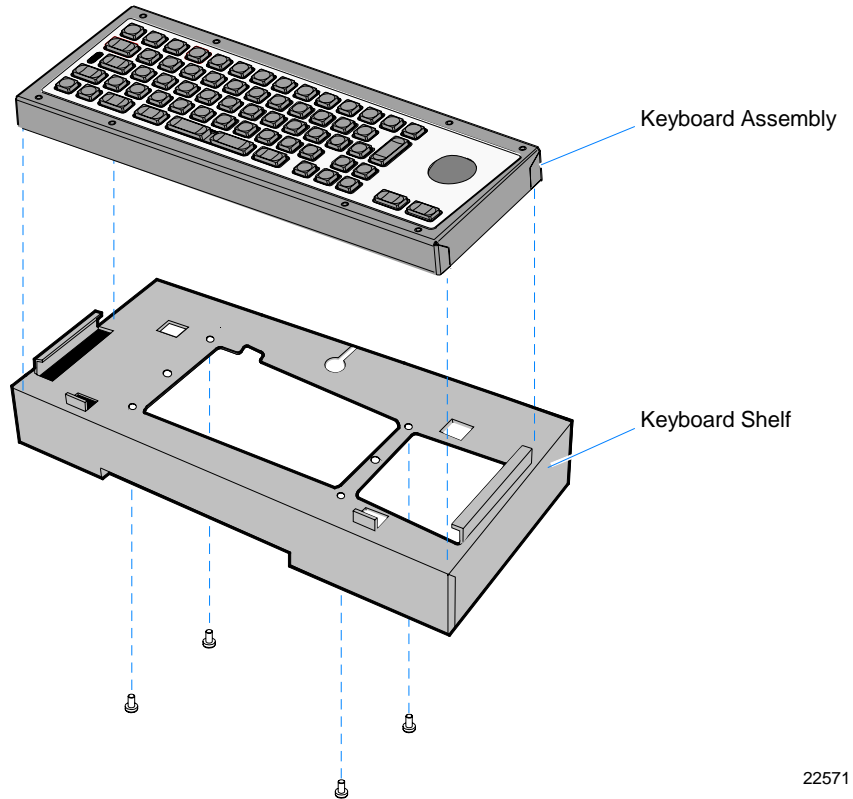
**Note:** The 2336-K212 Rugged Keyboard requires the Rugged Keyboard Mount kit (7402-K569) in order to install the keyboard on the mount. This kit includes everything shown below except the keyboard.

- a. Insert the Gasket into the bottom of the Rugged Keyboard Housing.
- b. Insert the Rugged Keyboard into the bottom of the Rugged Keyboard Housing.
- c. Install the two Rugged Keyboard Clamps (four nuts each).

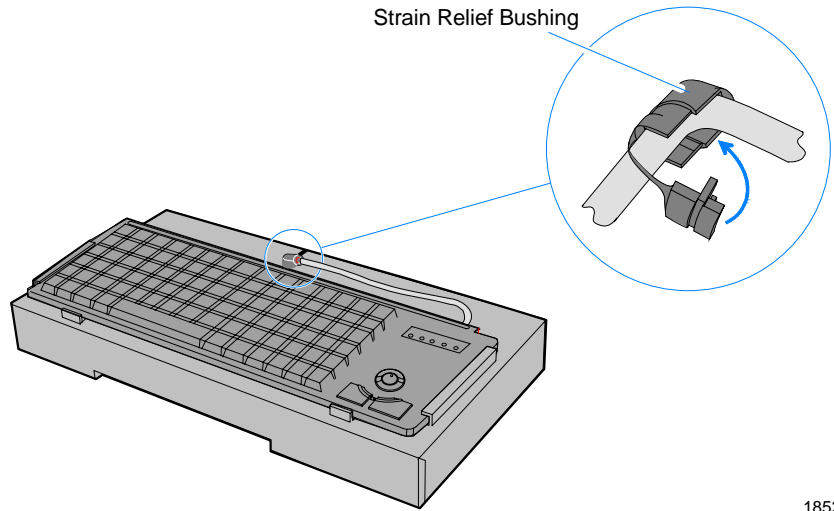
**Caution:** Evenly tighten the nuts before applying the final torque to secure the Rugged Keyboard Clamps. **DO NOT** over tighten the nuts as this can deform the Rugged Keyboard Housing.



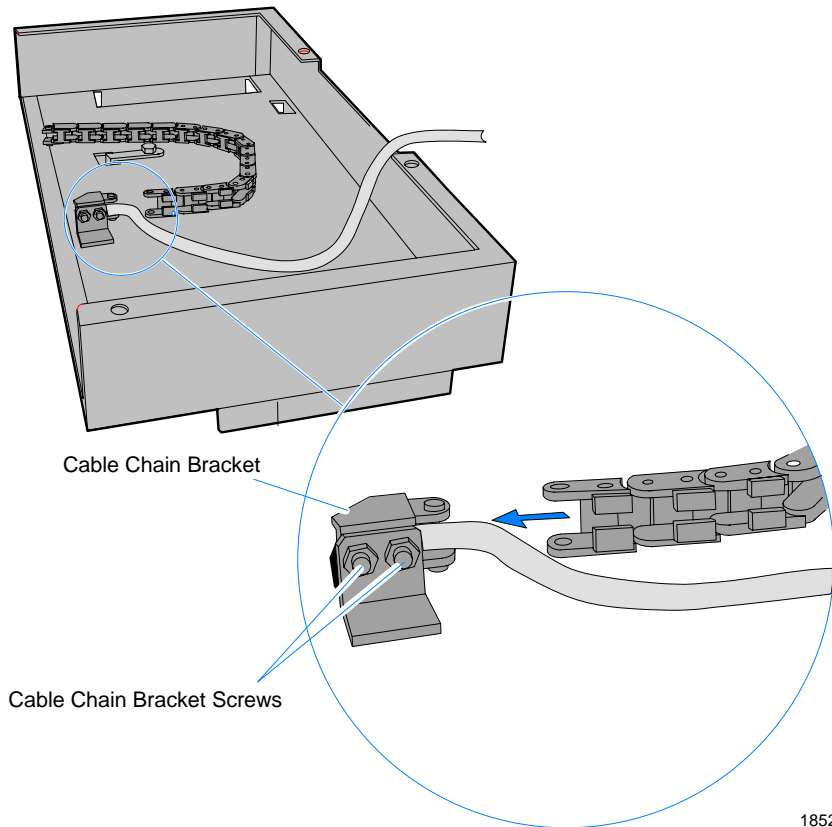
- d. Install the Keyboard Assembly onto the Keyboard Shelf and secure it with screws (4).



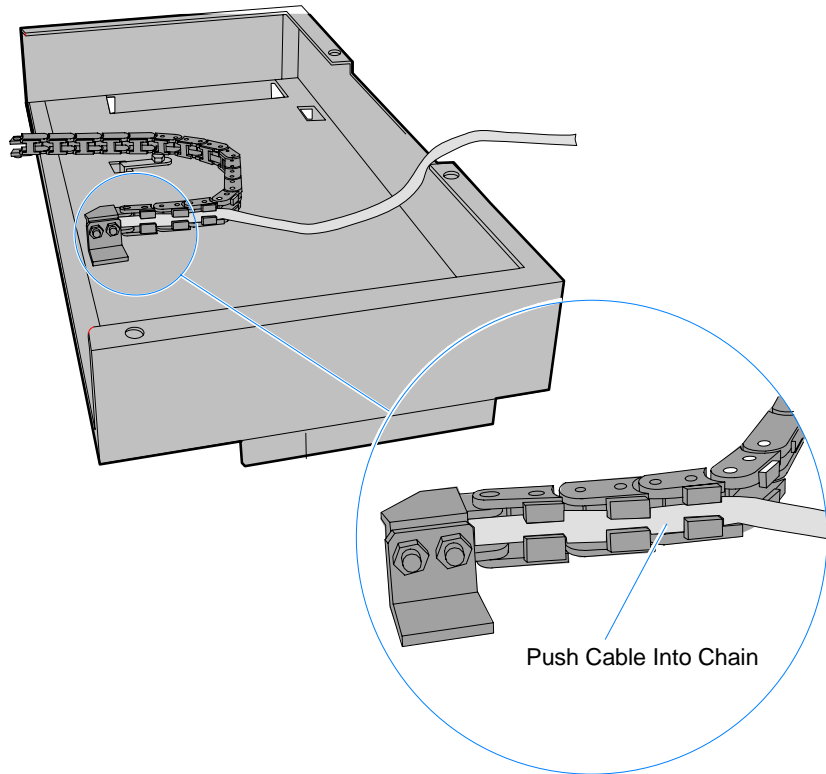
- e. Route the Keyboard Cable through the channel in the Keyboard Shelf and then install a Strain Relief Bushing.



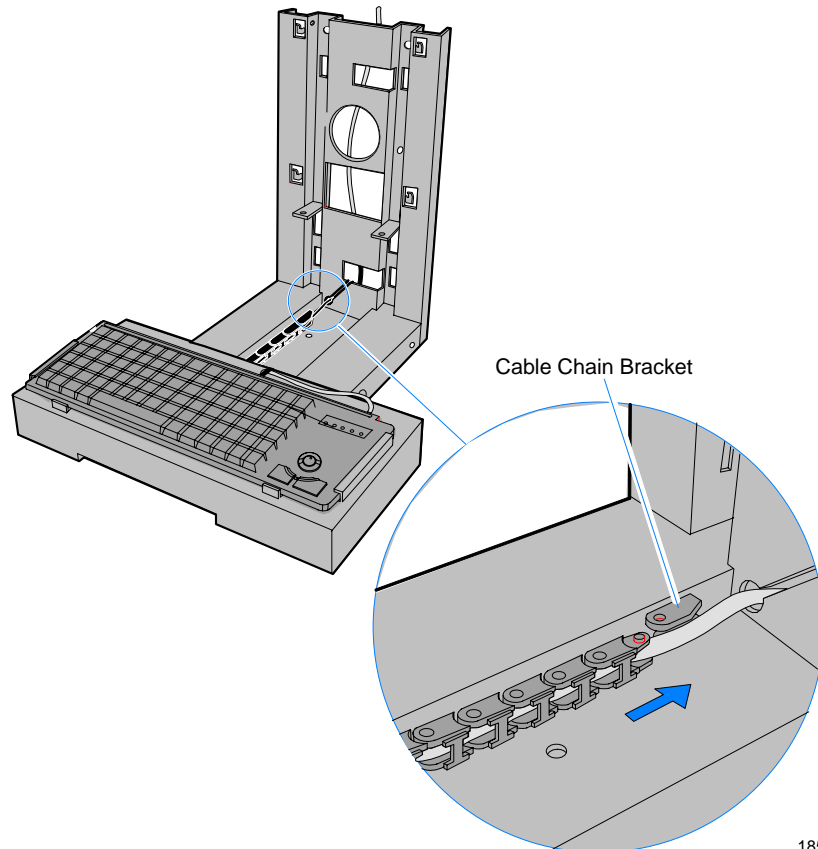
6. Route the Keyboard Cable through the Cable Chain Bracket and then connect the Cable Chain onto the Cable Chain Bracket.



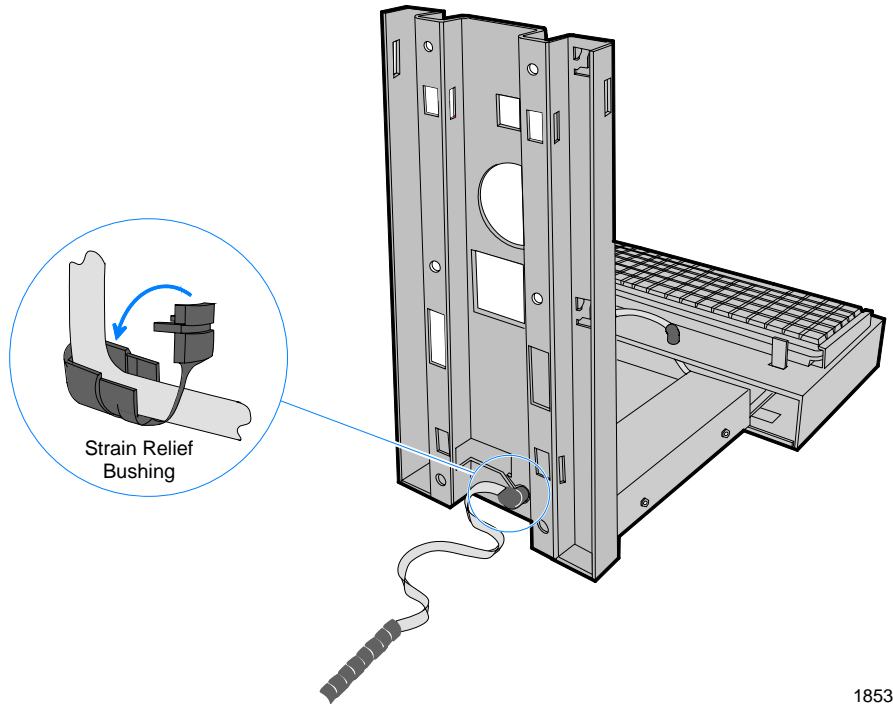
7. Route Keyboard Cable through the split side of the Cable Chain links.



8. Extend the Mounting Plate fully forward.
9. Route the Keyboard Cable through the Mounting Bracket.
10. Slide the Keyboard Shelf onto the Bottom Plate and install the four screws.
11. Connect the Cable Chain to the Cable Chain Bracket.



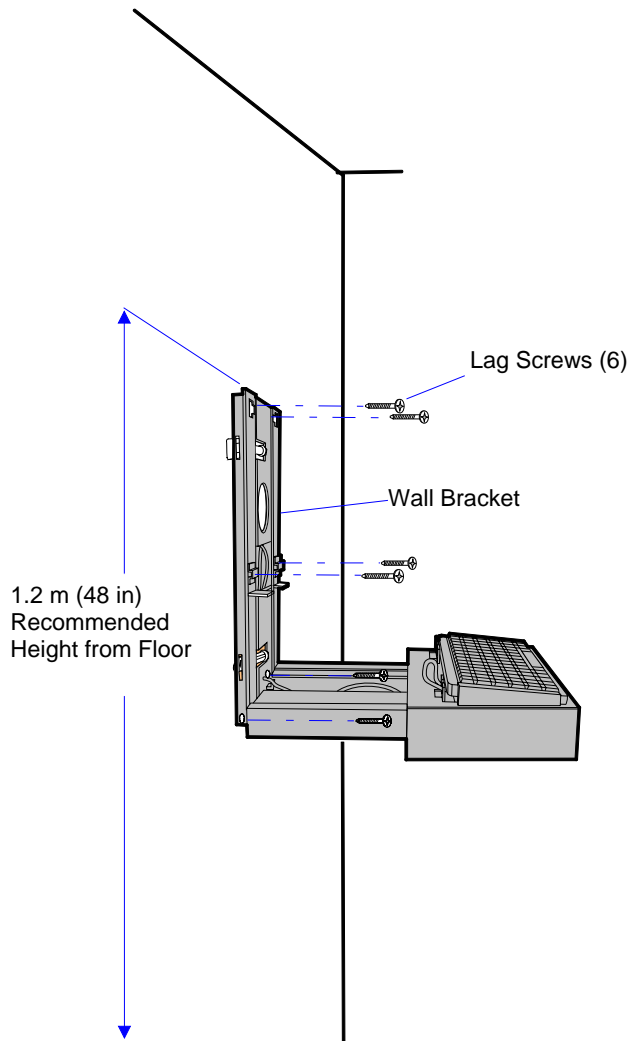
12. Install a Strain Relief Bushing in the Mounting Bracket.





## Installing the Mounting Bracket

Secure the Mounting Bracket to a wall with lag screws or with hardware of similar strength. The recommended viewing height for the terminal is 1.2 m (48") from the floor.



## Installing the Fixed-Angle Mount

1. Mate the slots in the back of the Fixed-Angle Mount onto the locking tabs on the Mounting Bracket.
2. Secure the Fixed-Angle Mount with the two supplied screws.

