



Kit Instructions

Security Scale (Tabletop)



7372-K710

Issue A

Copyright and Trademark Information

The product described in this document is a licensed product of NCR Voyix Corporation.

NCR Voyix SCO Hardware is a trademark of NCR Voyix Corporation in the United States and/or other countries. Other product names mentioned in this publication may be trademarks or registered trademarks of their respective companies and are hereby acknowledged.

Where creation of derivative works, modifications or copies of this NCR Voyix copyrighted documentation is permitted under the terms and conditions of an agreement you have with NCR Voyix, NCR Voyix's copyright notice must be included.

Disclaimer:

It is the policy of NCR Voyix Corporation to improve products as technology, components, software and firmware become available. NCR Voyix therefore reserves the right to change specifications without prior notice.

All features, functions and operations described herein may not be marketed by NCR Voyix in all parts of the world. In some instances, photographs are of equipment prototypes.

Therefore, before using this document, consult with your NCR Voyix representative or NCR Voyix office for information that is applicable and current.

© 2025

By NCR Voyix Corporation

Atlanta, Georgia, USA

All Rights Reserved

Table of Contents

7372-K710 Security Scale (Tabletop)	5
Kit Contents	5
Required Tools	7
Installation Procedure	8
Removing Shipping Spacers from Security Scale Pods	11
Opening the Tower Cabinet	13
Closing the Tower Cabinet	15

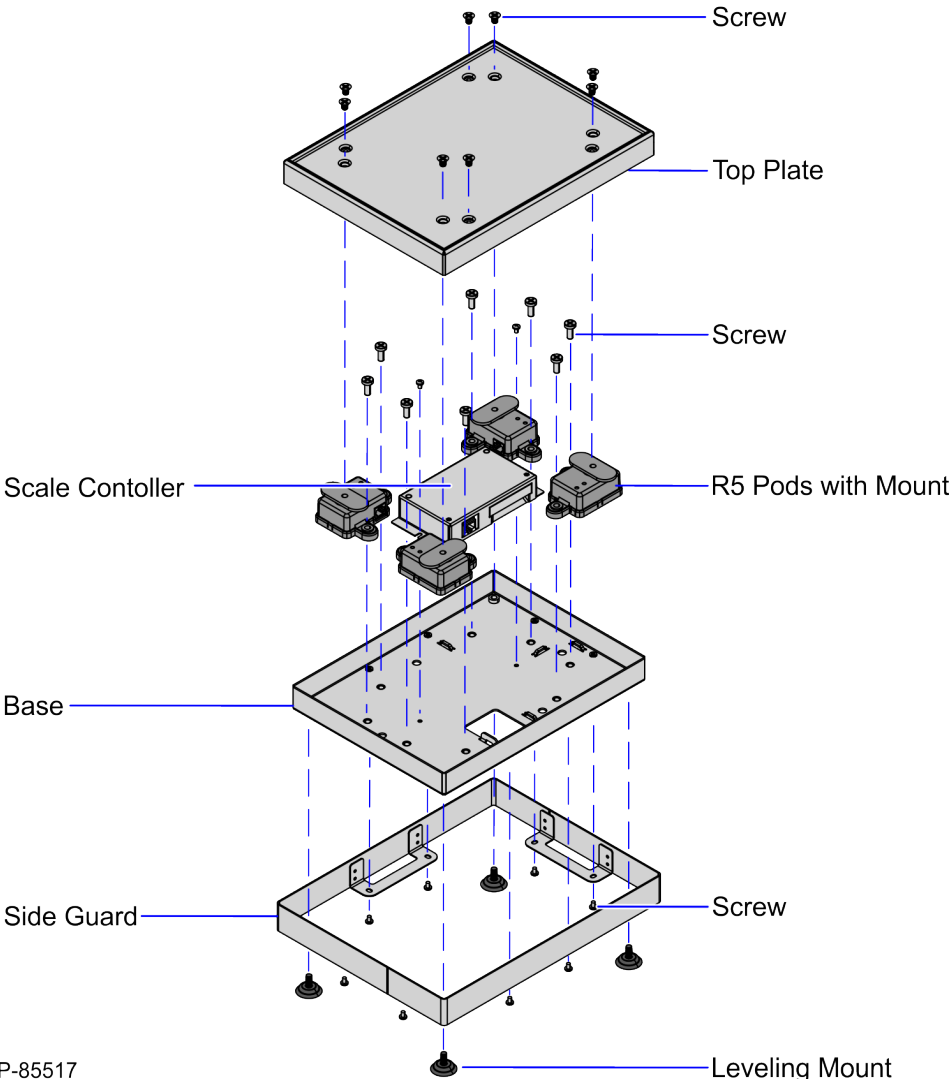
Revision Record

Publication issue	Date	Description of change
A	Feb 2024	First issue.

7372-K710 Security Scale (Tabletop)

The Security Scale is composed of a Controller and four (4) Scale Pods underneath the Top Plate. It measures the weight of items purchased and bagged. The weight detected is compared to the weight expected as defined in the item's data file. This publication provides procedures for installing the 7372-K710 Security Scale (Tabletop) to a 7372 NCR Voyix SCO Tabletop unit.

Kit Contents



CCP-85517

Confidential and proprietary information of NCR Voyix.
Use and disclose solely pursuant to company instructions.

Part Number	Description
497-0537108	7372-K710 Security Scale, Nextgen Tabletop
006-8611466	Screw - M4 X 0.7P X 6 Mm, Machine, Phillips Panhead (10 pcs)
006-8615815	Screw -1/4-20 X 5/8" Phillips Pan Head Machine Screw, Zinc-Pltd Stl (8 pcs)
006-8624799	Screw, 1/4-20, 3/8" Length, Cs, Ss (8 pcs)
006-8624919	Leveling Mount, High Temp, 1/4-20, 1-1/8 Base Diameter, 1/2 (4 pcs)
497-0468420	Assembly - NCR Scale Controller
* 497-0509822	Cable, Scale Pod To Scale Controller Board, 500Mm (4 pcs)
497-0509864	Base, Scale, 7709
497-0509870	Top Plate, Scale, 7709
497-0509871	Side Guard, Scale, 7709
497-0514037	R 5 Pods With 50 Durometer Mount, Polyimide Strain Gauge Backing (4 pcs)
* 497-0531544	Cable-Latch-N-Lok 2X4 Plug To Split Db9/Usb-A(3.5M)
* 497-0538320	Nextgen Sco R1.1 Tabletop Security Scale Kit Manufacturing Build Instructions

* Items marked with an asterisk are not called out on the image.

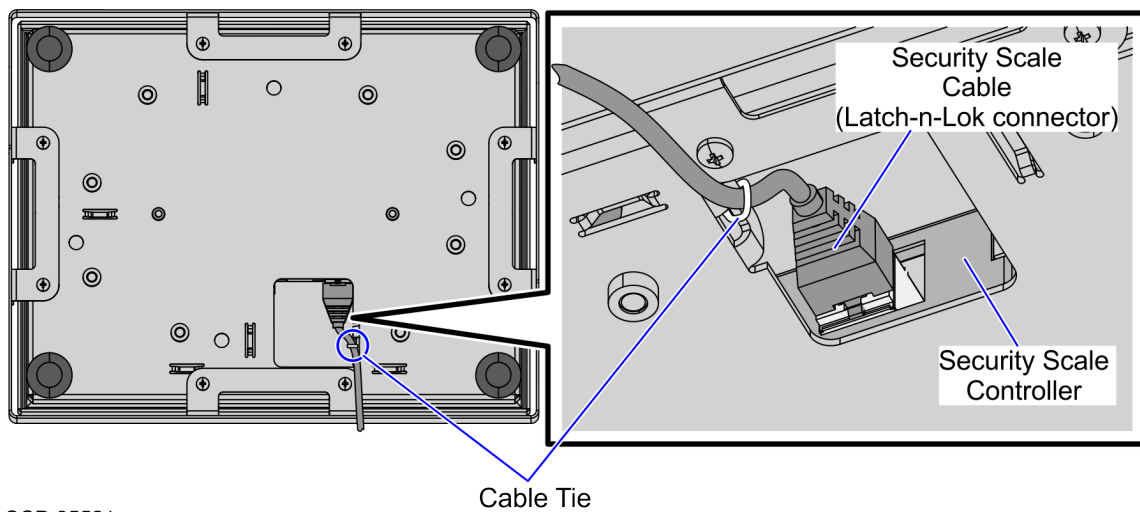
Required Tools

- Torque screwdriver
- Phillips screwdriver
- Cutter

Installation Procedure

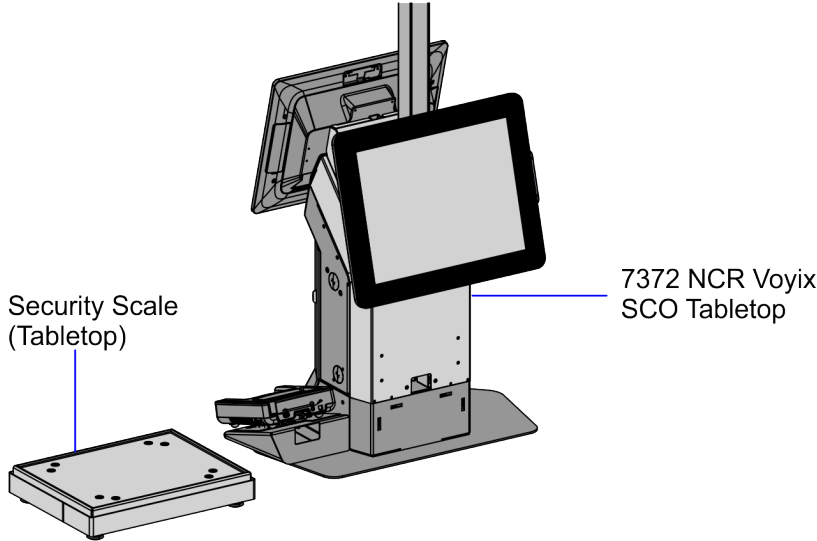
To install the 7372-K710 Security Scale (Tabletop), follow these steps:

1. Remove the shipping spacers from the Security Scale. For more information, refer to "[Removing Shipping Spacers from Security Scale Pods](#)" on page 11.
2. Place the Security Scale on a flat surface with the Top Plate facing down.
3. Do the following:
 - a. Connect the Security Scale cable (Latch-n-Lok connector) to the Security Scale Controller.
 - b. Secure the cable to the Security Scale Base using a cable tie, as shown in the image below.



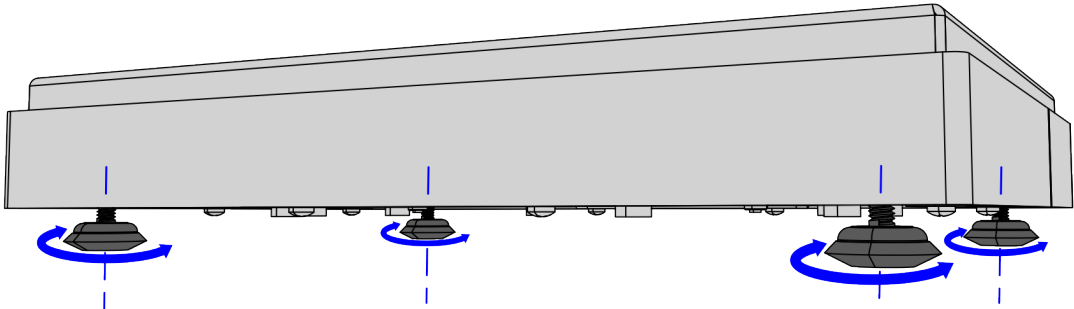
CCP-85521

- 4. Place the Security Scale near the 7372 NCR Voyix SCO Tabletop unit, as shown in the example below.



CCP-85522

- 5. If necessary, level the Security Scale by turning the Leveling Mounts clockwise or counter-clockwise.

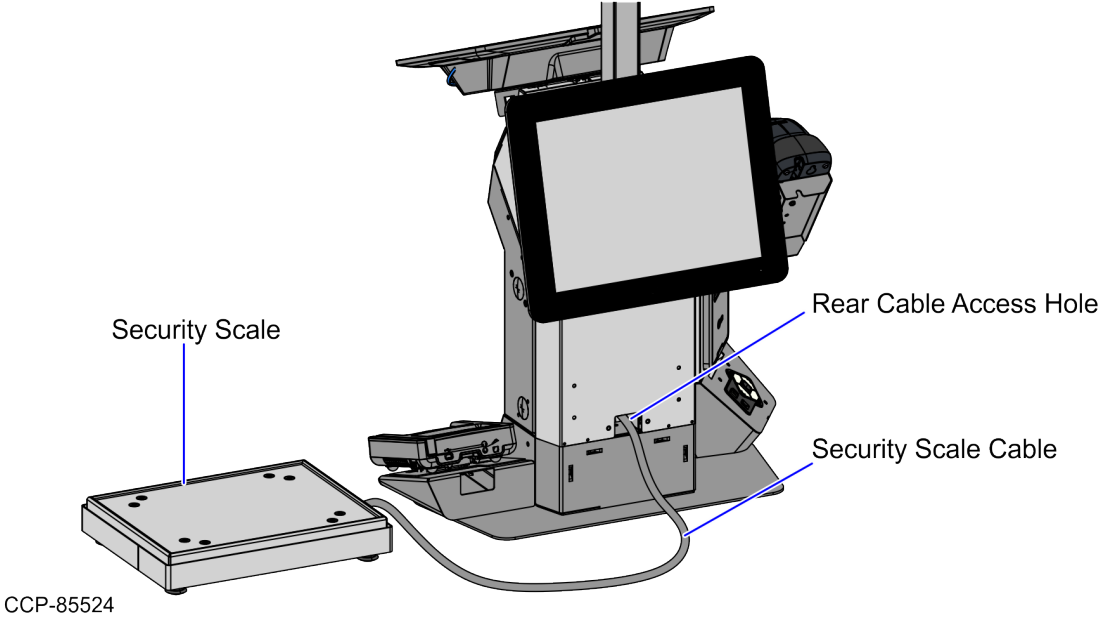


CCP-85523

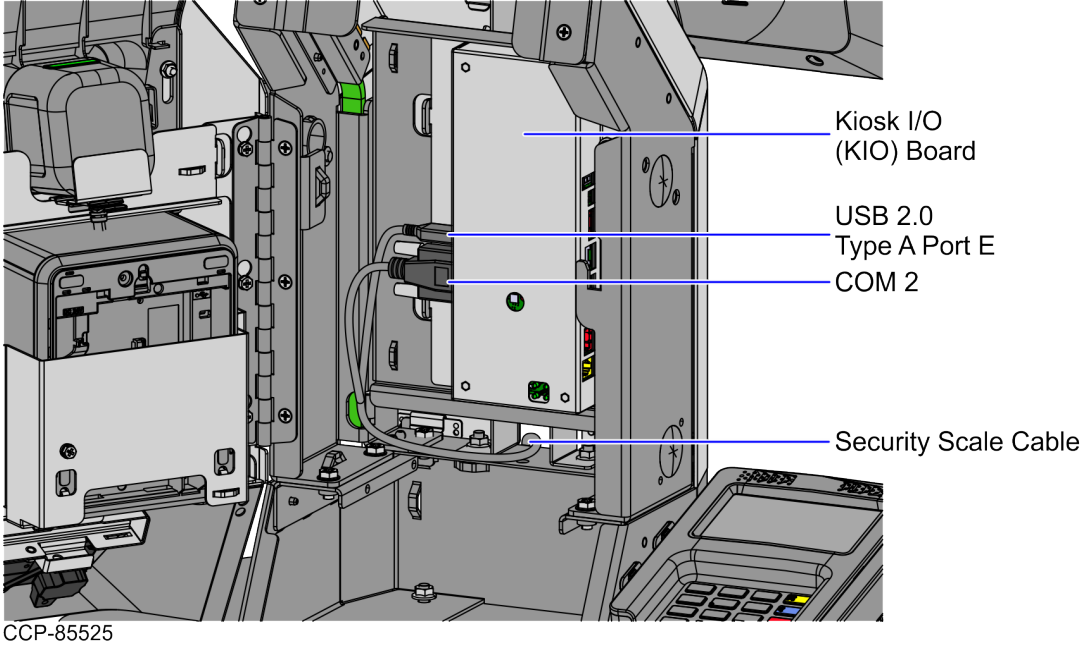
- 6. Open the Core (Cabinet). For more information, refer to "[Opening the Tower Cabinet](#)" on page 13.

7. Do the following:

- a. Pass the Security Scale cable into the Tower Cabinet through the rear cable access hole.



- b. Connect the Scale cable (USB Type A connector) to the USB Port E and DB9 connector to COM 2 Port of KIO board, as shown in the image below.



Removing Shipping Spacers from Security Scale Pods

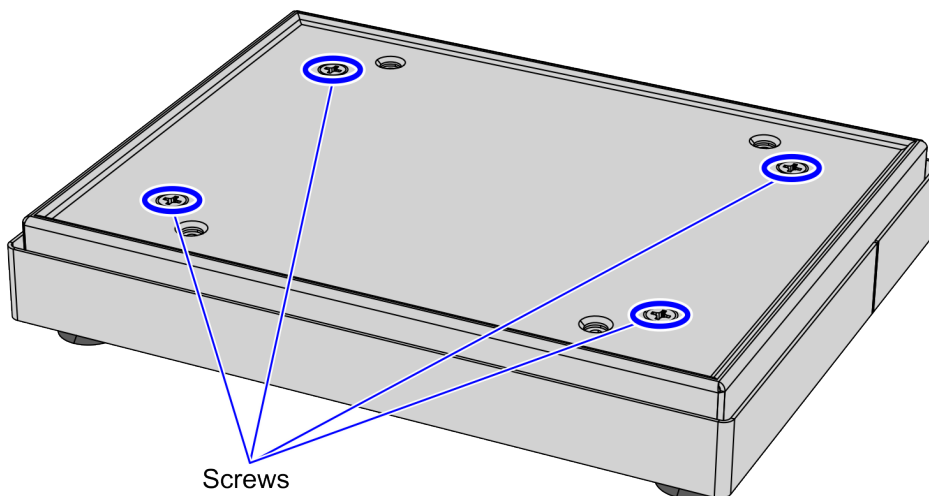
The Security Scale is delivered to the store with Scale Pods that have plastic shipping spacers. These spacers must be removed before the unit is operational. To remove the shipping spacers, follow these steps:

1. Detach the Top Plate from the Security Scale by removing four (4) screws.



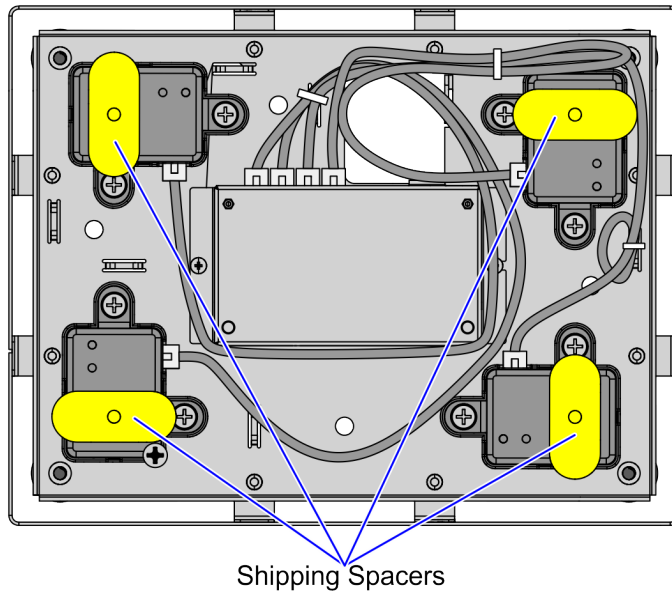
Note

The Security Scale pods are protected with Shipping Spacers.



CCP-85518

2. Remove the Shipping Spacers from each Scale Pod.

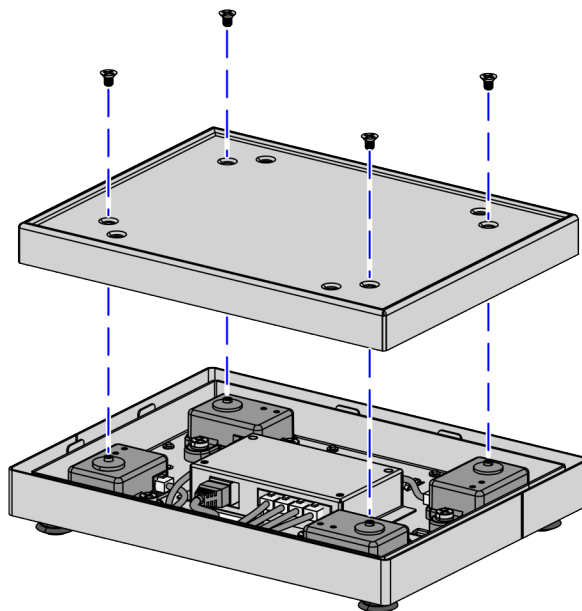


CCP-85519

3. Attach the Top Plate on the Security Scale using four (4) screws.

⚠ Caution

Do not overtighten the screws to avoid damaging the Scale Pods. NCR Voyix recommends 0.68 Nm (6 lbf.in) to 0.90 Nm (8 lbf.in) for the torque value.



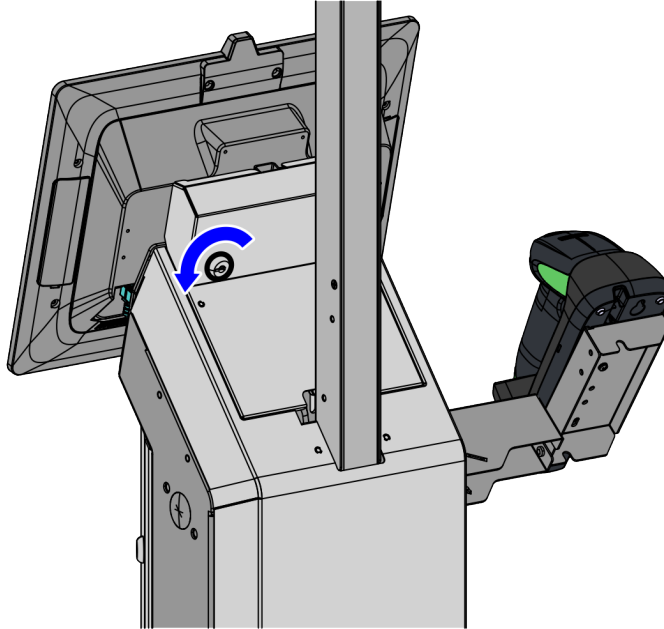
CCP-85520

Confidential and proprietary information of NCR Voyix.
Use and disclose solely pursuant to company instructions.

Opening the Tower Cabinet

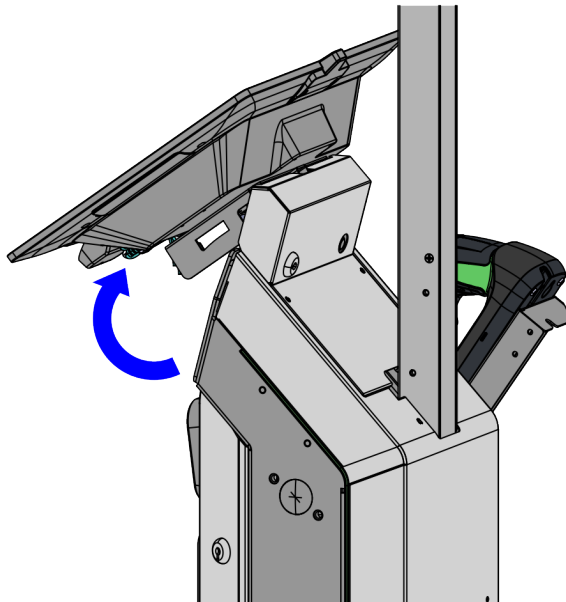
To open the Tower Cabinet, follow these steps:

1. Unlock the Rear Cover of the Tower Frame using a key.



CCP-84442

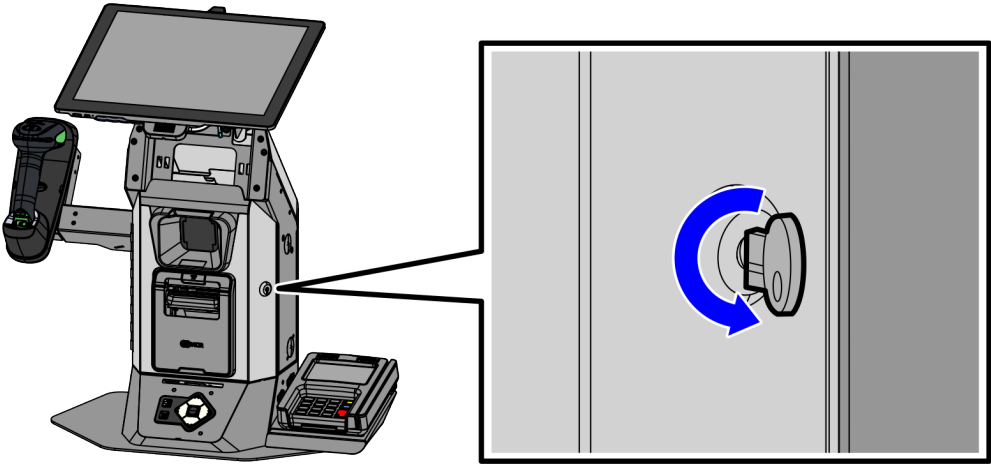
2. Lift the Terminal Display, as shown in the image below.



CCP-84538

Confidential and proprietary information of NCR Voyix.
Use and disclose solely pursuant to company instructions.

3. Open the Tower Cabinet door using a key.

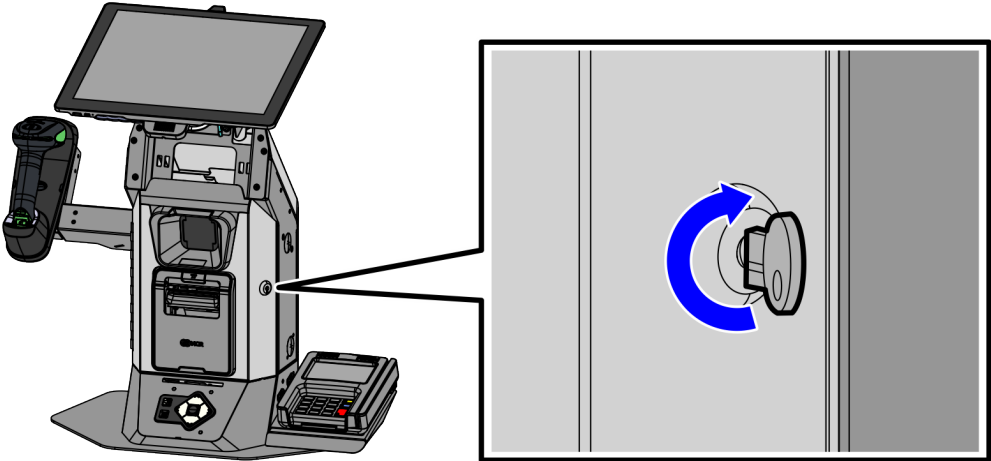


CCP-84524

Closing the Tower Cabinet

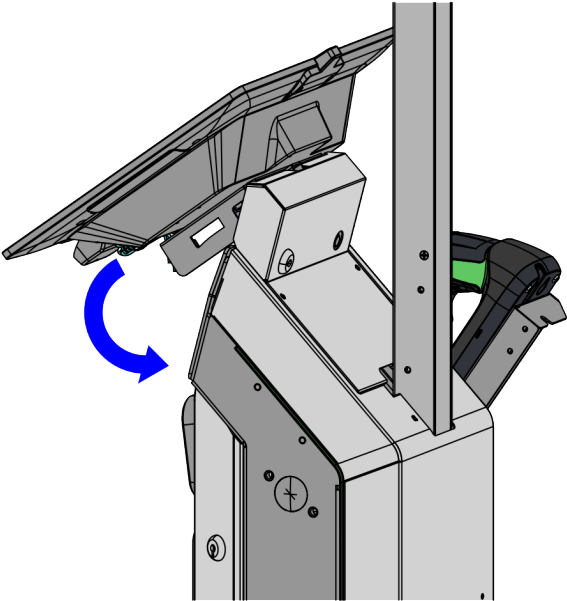
To close the Tower Cabinet, follow these steps:

- 1. Close the Tower Cabinet door using a key



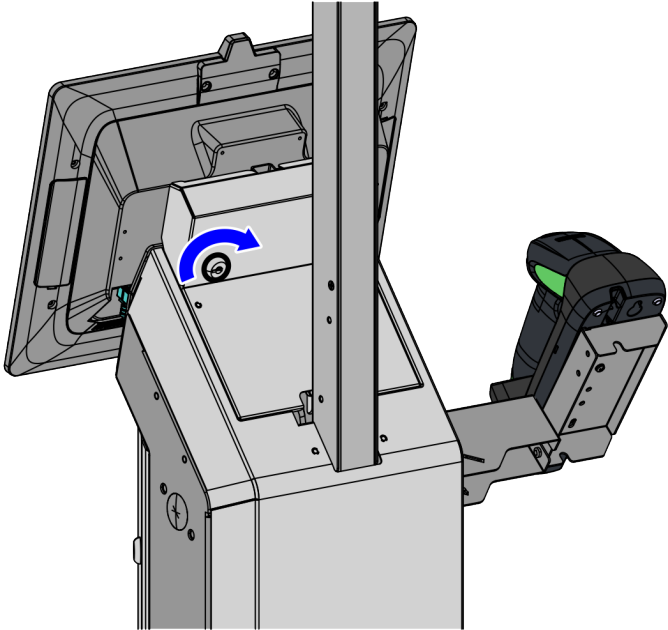
CCP-84525

- 2. Lower the Terminal Display.



CCP-84540

3. Lock the Terminal Display on the Rear Cover of the Tower Frame using a key.



CCP-84900