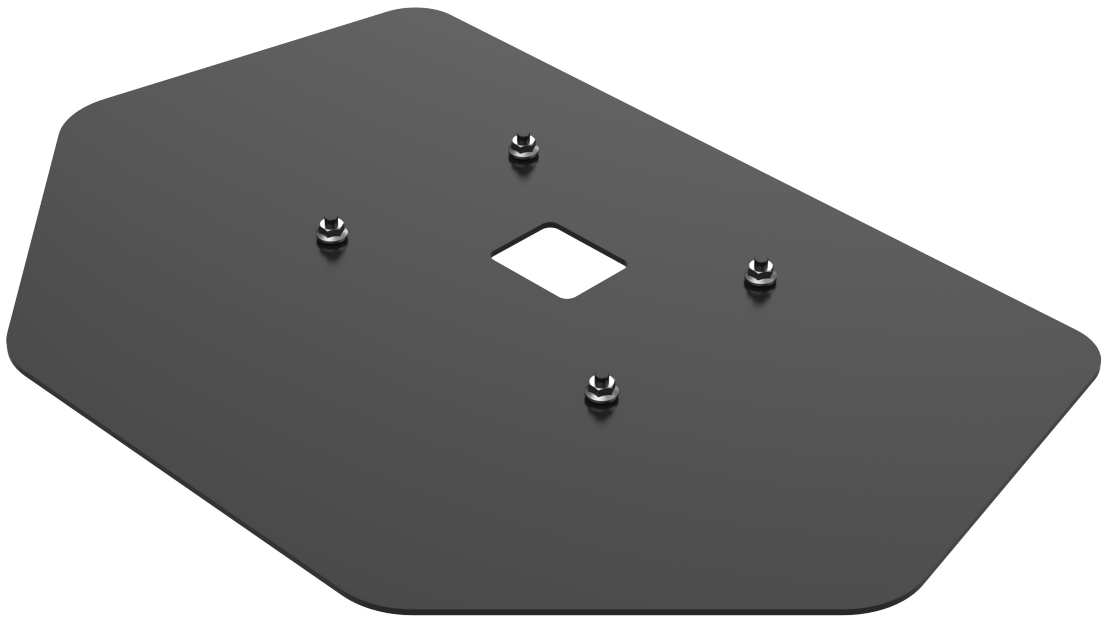




Kit Instructions

Base Plate (Tabletop)



7372-K602

Issue A

Copyright and Trademark Information

The product described in this document is a licensed product of NCR Voyix Corporation.

Product Type is a trademark of NCR Voyix Corporation in the United States and/or other countries. Other product names mentioned in this publication may be trademarks or registered trademarks of their respective companies and are hereby acknowledged.

Where creation of derivative works, modifications or copies of this NCR copyrighted documentation is permitted under the terms and conditions of an agreement you have with NCR, NCR's copyright notice must be included.

Disclaimer:

It is the policy of NCR Voyix Corporation to improve products as technology, components, software and firmware become available. NCR Voyix therefore reserves the right to change specifications without prior notice.

All features, functions and operations described herein may not be marketed by NCR Voyix in all parts of the world. In some instances, photographs are of equipment prototypes.

Therefore, before using this document, consult with your NCR Voyix representative or NCR Voyix office for information that is applicable and current.

© 2024

By NCR Voyix Corporation

Atlanta, Georgia, USA

All Rights Reserved

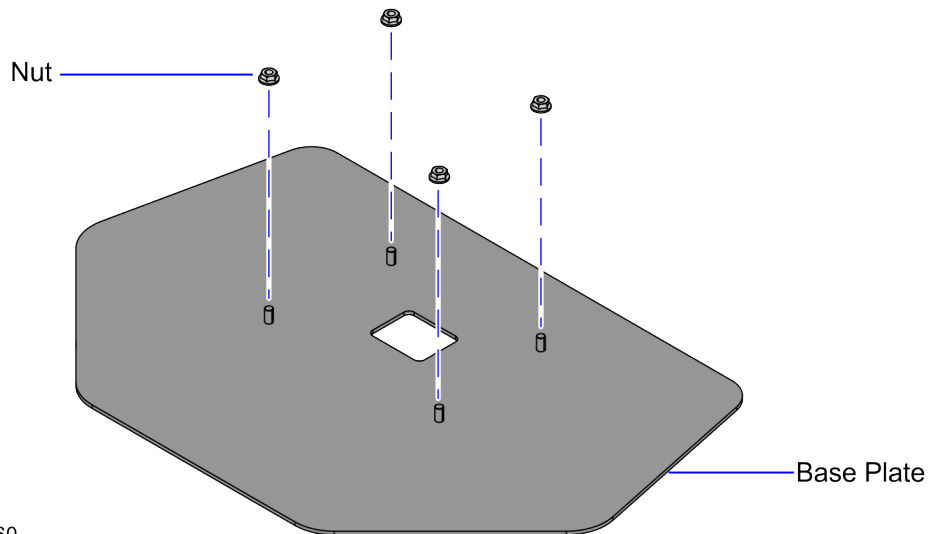
Revision Record

Publication issue	Date	Description of change
A	Apr 2024	First issue.

Base Plate (Tabletop)

This publication provides procedures for installing the 7372-K602 Base Plate (Tabletop) for the NCR Voyix SCO Tabletop unit.

Kit Contents



CCP-84460

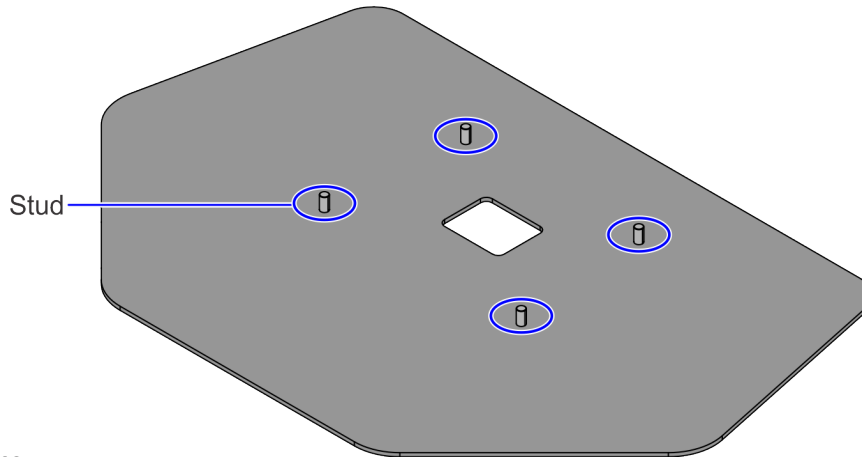
	Description
497-0536328	7372-K602 Base Plate (Tabletop)
* 497-0536012	Foot, Rubber, Nextgen (4 pcs)
497-0534256	Base Plate, Desktop
006-8628707	Serrated Nut - Self Locking (M6, 6) (4 pcs)
* 497-0423108	Instructions Kit (Reference Sheet)

* Items marked with an asterisk are not called out on the image.

Installation Procedure

To install the Base Plate (Tabletop) kit, follow these steps:

1. Position the Base Plate on the counter/table with the studs facing up.

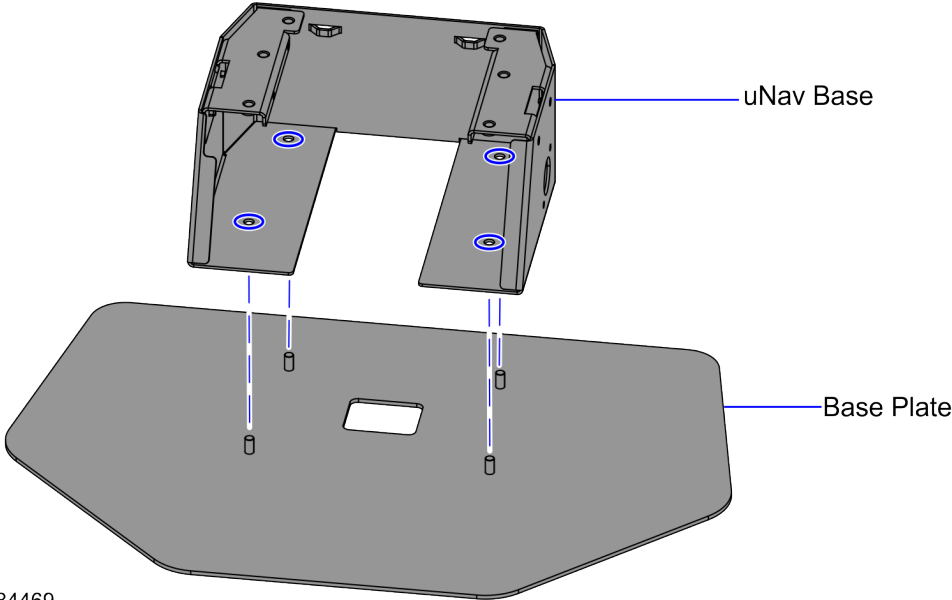


CCP-84468

2. Depending on the unit configuration, refer to either of the following:
 - If the unit is configured with a uNav device, refer to ["Installing Base Plate to the uNav Base"](#) on the next page.
 - If the unit does not have a uNav device, refer to ["Installing Base Plate to the Tower Module"](#) on page 7.

Installing Base Plate to the uNav Base

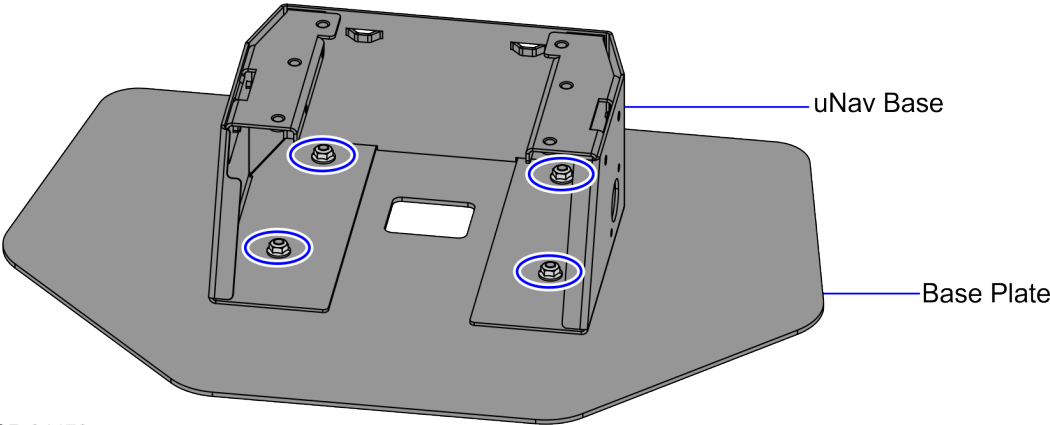
1. Align the studs of the Base Plate with the holes on the bottom of the uNav Base, as shown in the image below.



CCP-84469

2. Secure the uNav Base to the Base Plate using four (4) M6 nuts.

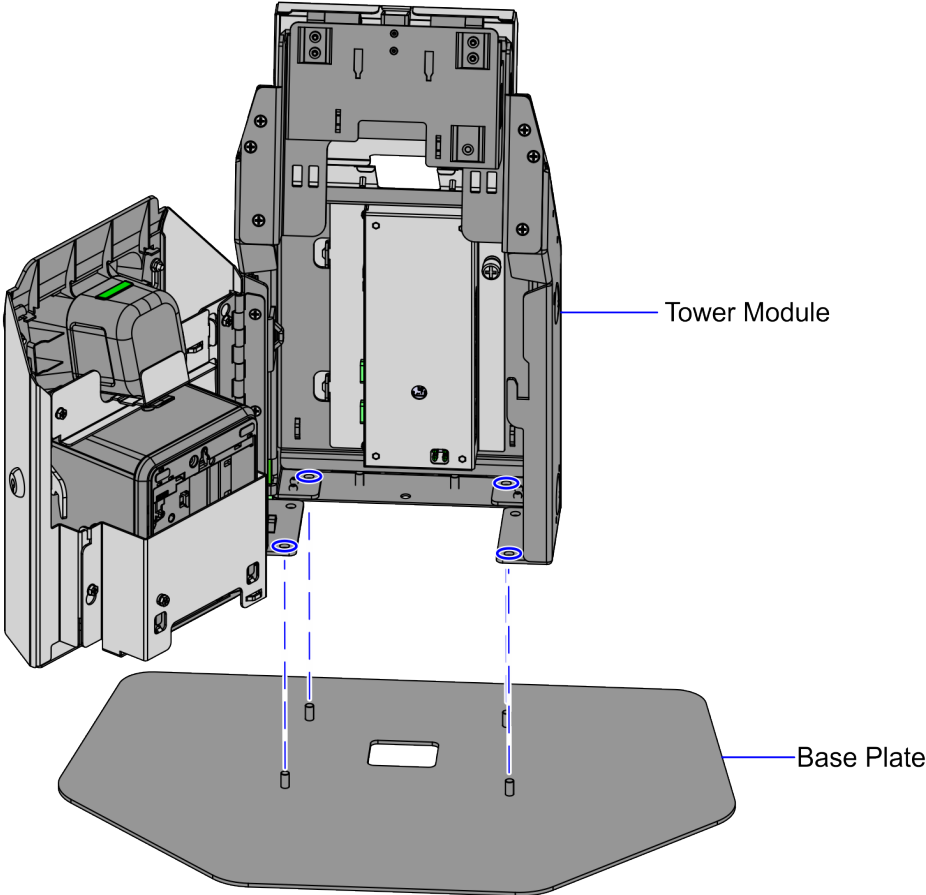
⚠ Caution
Do not overtighten the nuts.



CCP-84470

Installing Base Plate to the Tower Module

- 1. Open the Tower Cabinet door.
- 2. Align the holes on the bottom of the Tower Module with the studs of the Base Plate, as shown in the image below.

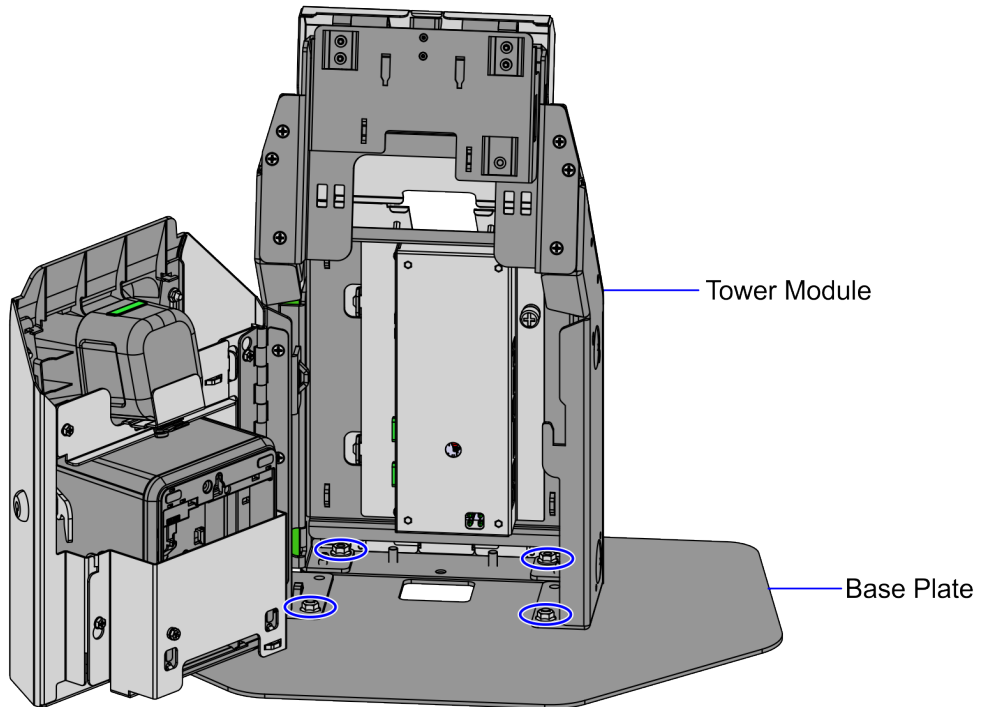


CCP-84471

3. Secure the Tower Module to the Base Plate using four (4) M6 nuts.

⚠ Caution

Do not overtighten the nuts.



CCP-84472