



# Kit Instructions

Sensormatic® Controller Enclosure (Mid Impact Silver)



7372-K505

Issue A

# Copyright and Trademark Information

---

The product described in this document is a licensed product of NCR Voyix Corporation.

NCR Voyix SCO Hardware is a trademark of NCR Voyix Corporation in the United States and/or other countries. Other product names mentioned in this publication may be trademarks or registered trademarks of their respective companies and are hereby acknowledged.

Where creation of derivative works, modifications or copies of this NCR copyrighted documentation is permitted under the terms and conditions of an agreement you have with NCR, NCR's copyright notice must be included.

Disclaimer:

It is the policy of NCR Voyix Corporation to improve products as technology, components, software and firmware become available. NCR Voyix therefore reserves the right to change specifications without prior notice.

All features, functions and operations described herein may not be marketed by NCR Voyix in all parts of the world. In some instances, photographs are of equipment prototypes.

Therefore, before using this document, consult with your NCR Voyix representative or NCR Voyix office for information that is applicable and current.

© 2024

By NCR Voyix Corporation

Atlanta, Georgia, USA

All Rights Reserved

# Revision Record

---

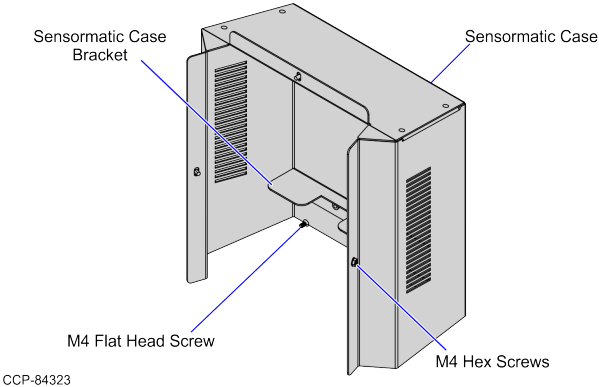
Issue	Date	Remarks
A	Mar 2024	First issue.

# 7372-K505 Sensormatic® Controller Enclosure (Mid Impact Silver)

The Sensormatic® Controller Enclosure holds the Sensormatic® Controller that is installed at the back of the Pedestal Cabinet. This publication provides instructions for installing the enclosure kit on either of the following Self-Checkout units:

- SCO Kiosk
- SCO Card Only

## Kit Contents



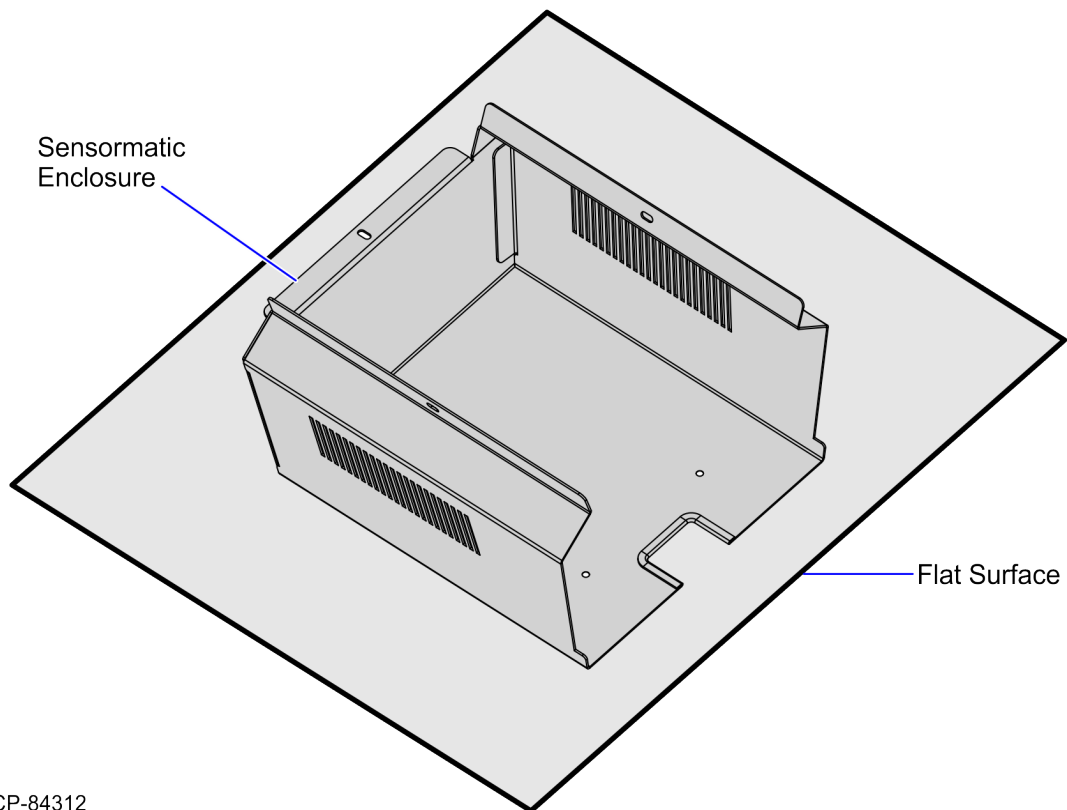
Part Number	Description
497-0535609	7372-K505 Sensormatic® Controller Enclosure (Mid Impact Silver)
795-0300735	Case, Sensormatic, 7372
497-0534703	Case, Sensormatic, Bracket
009-0006592	Screws (Hex,Pozdriv,M4,6.0) (3 pcs)
006-8624498	Screw - M4X.7X8Mm, Flat Head, Stainless (2 pcs)
* 497-0423108	Instructions-Kit (Reference Sheet)

\* Items marked with an asterisk are not called out on the image.

# Installation Procedure

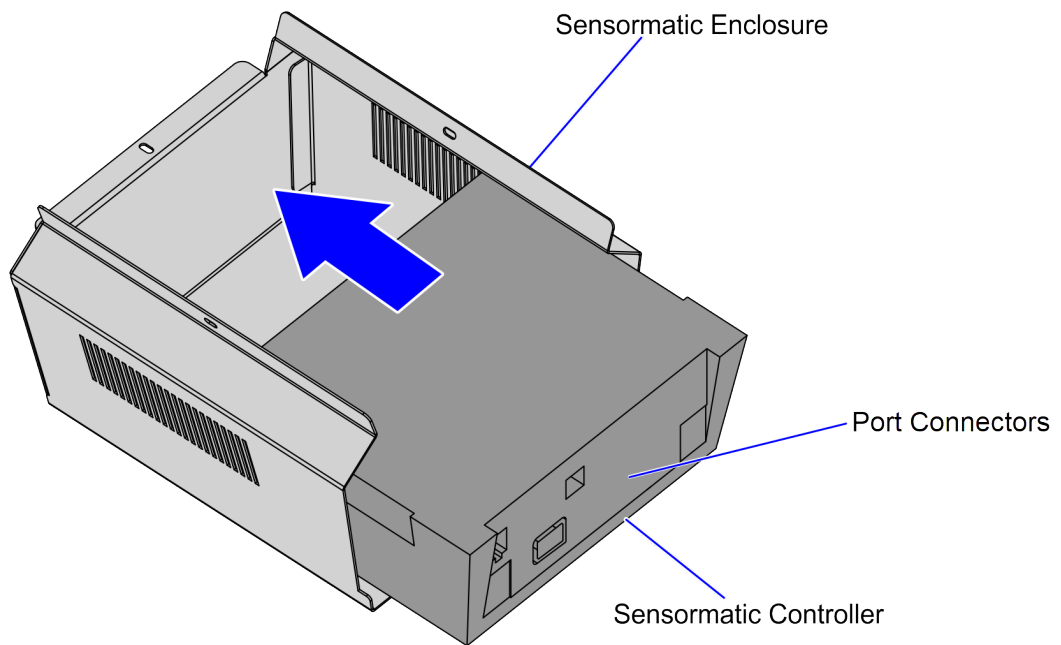
To install the Sensormatic® Controller Enclosure kit, follow these steps:

1. Remove the existing Sensormatic® Controller Enclosure, if necessary. For more information, refer to "Removing the Sensormatic® Controller enclosure" on page 12.
2. Place the enclosure on a flat surface.



CCP-84312

3. Turn the Sensormatic® Controller upside down, and then place it into the enclosure with the port connectors facing the enclosure opening.



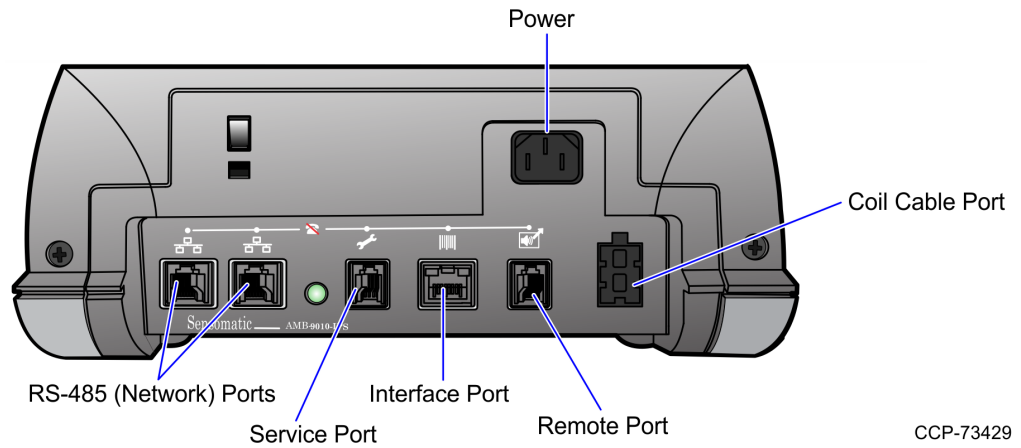
CCP-84311

4. Do the following:

**Warning**

Ensure that the Sensormatic® Controller is unplugged from the AC outlet. When the Sensormatic® Controller is plugged to the AC outlet, do not connect or disconnect the Antenna or cables from the Controller to avoid damaging the device.

- a. Connect the cables to the Sensormatic® Controller, as shown in the image below.



CCP-73429

Cable	Destination Connection (Location)
Antenna cable	Coil Cable Port
Interface cable	Interface Port

- b. Connect the other end of the AC Power Cable to the unswitched AC outlet that has less than 0.5 VAC between neutral and ground.

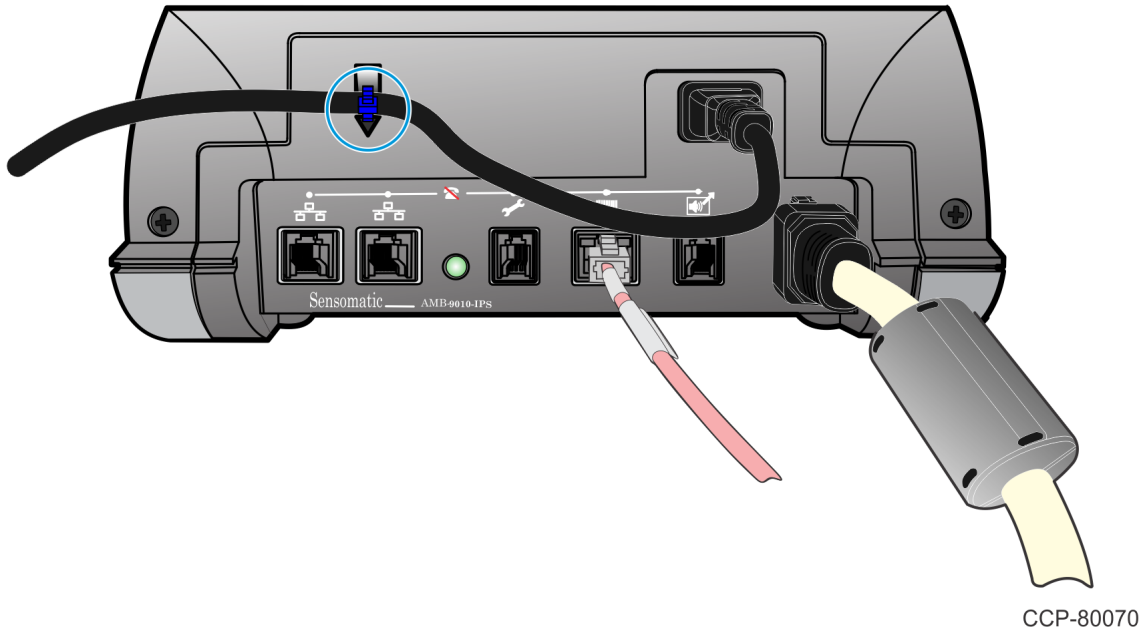
**Note**

The Status LED blinks green. While the controller auto-synchronizes, this LED can briefly flash amber. Auto-sync can take up to 10 seconds.

**⚠ Caution**

If the Status LED is solid red, stop the installation and return the controller to an authorized repair center.

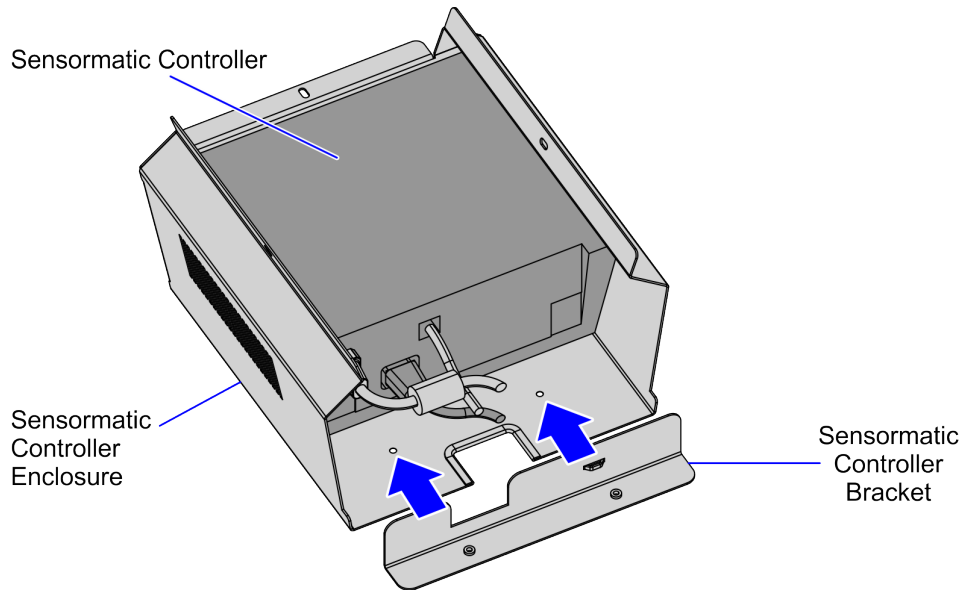
5. Secure the Sensormatic® AC Power Cable to the back of the controller using a cable tie.





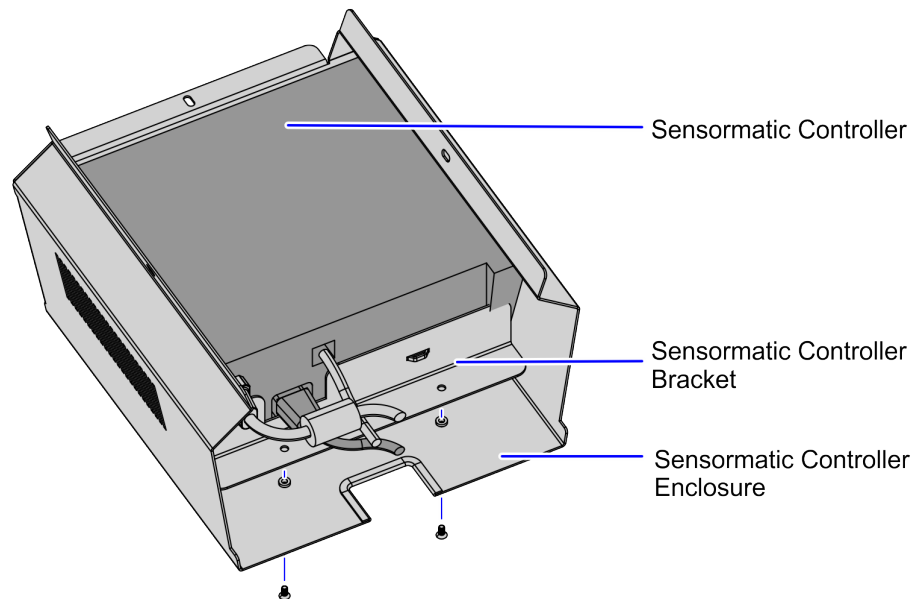
6. Do the following:

- a. Slide the Sensormatic® Controller Bracket into the Sensormatic® Controller Enclosure, as shown in the image below.



CCP-84340

- b. Attach the Sensormatic® Controller Bracket to the the enclosure using two (2) screws. Ensure that the holes are aligned to properly secure the bracket.



CCP-84325

7. Do the following:

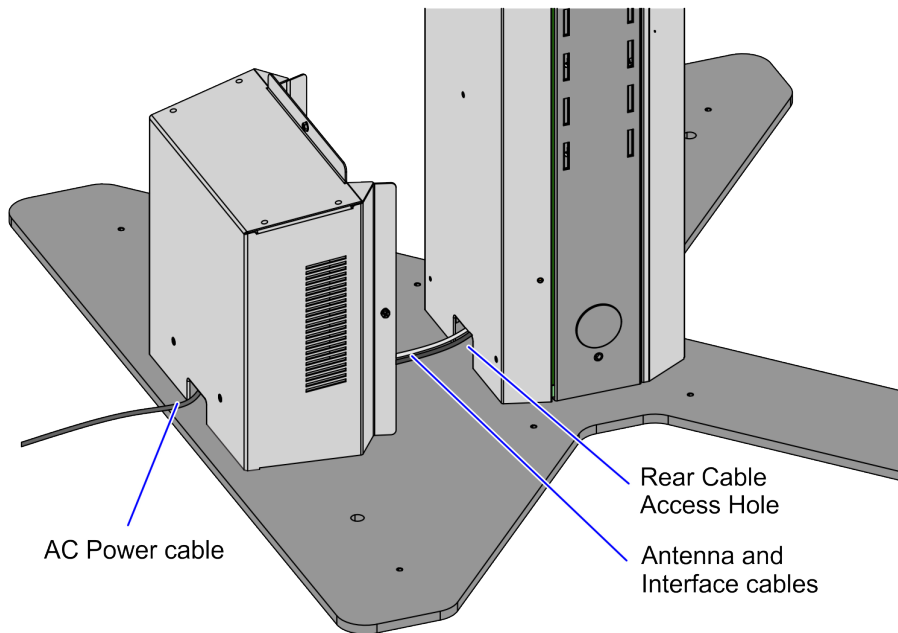
- a. Place the Sensormatic® Enclosure assembly at the rear of the Pedestal Cabinet.
- b. Route the Interface cable and Antenna cable from the Sensormatic® Controller and into the rear cable access hole of the enclosure.

**Note**

To route the Interface and Antenna cables, refer to either of the following:

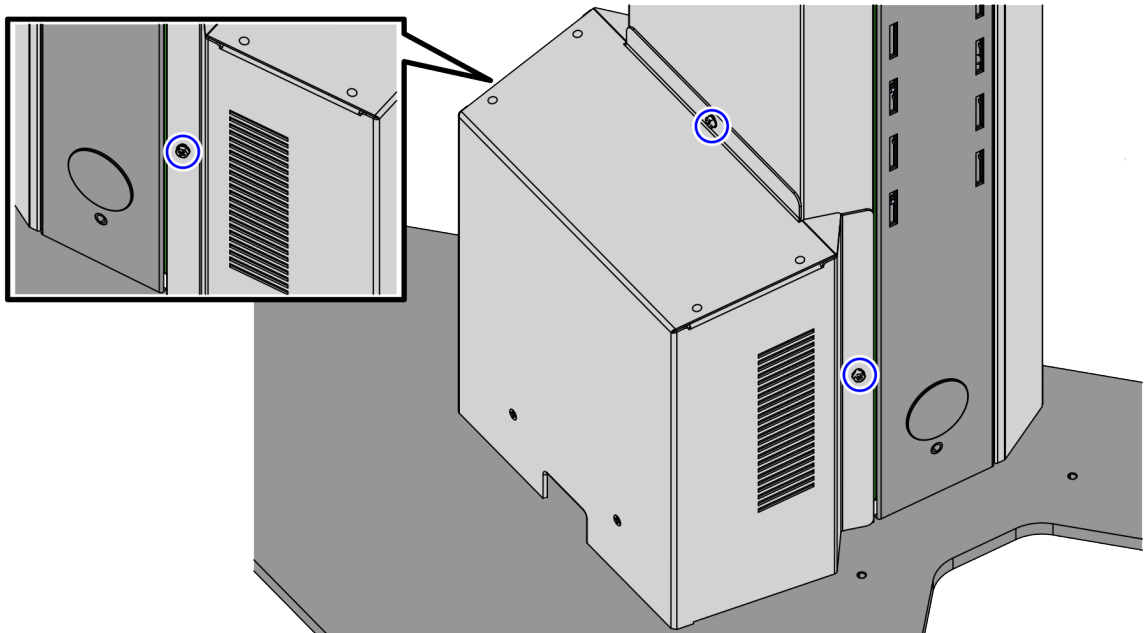
- *7372 Card Only (Pedestal) Hardware Service Guide (BCC5-0000-5626)*
- [\*7372 NCR Voyix SCO Card Only Hardware Service Guide \(BCC5-0000-5677\)\*](#)

- c. Route the AC Power cable out from the Sensormatic® Controller assembly, as shown in the image below.



CCP-84275

8. Attach the Sensormatic® Controller-Enclosure assembly on the pedestal using three (3) screws, as shown in the image below.

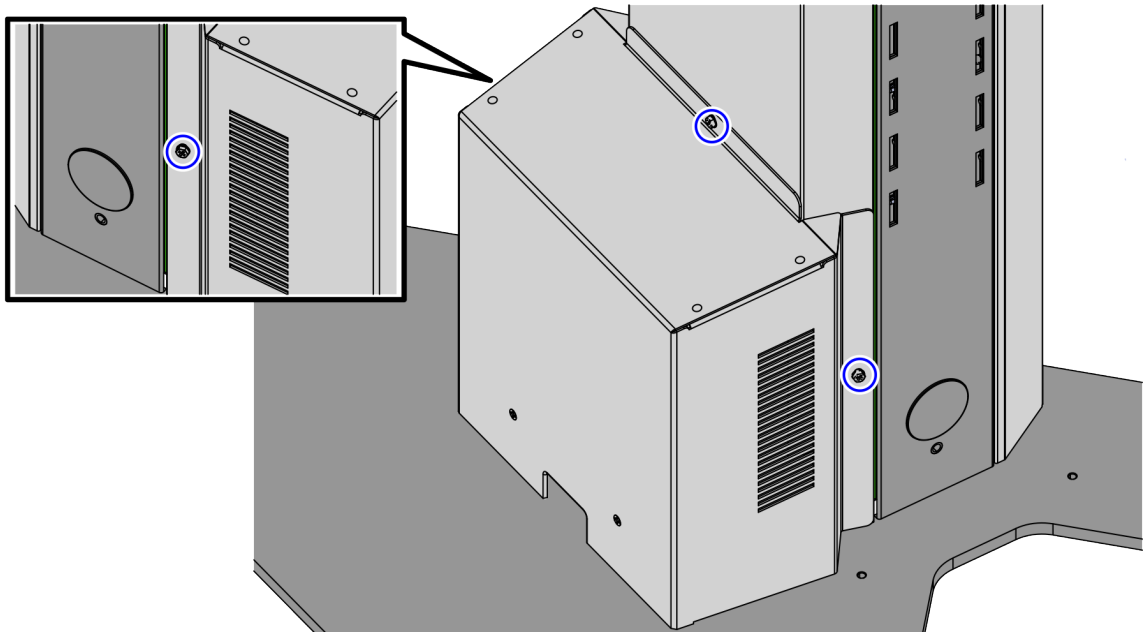


CCP-84273

# Removing the Sensormatic® Controller enclosure

To remove the Sensormatic® Controller Enclosure, follow these steps:

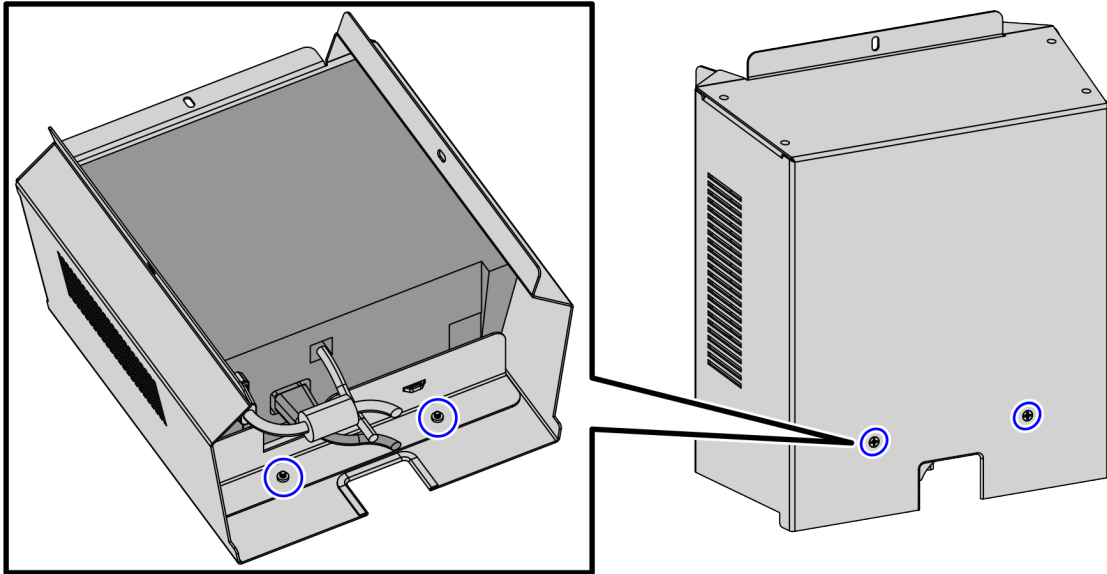
1. Turn off the NCR Self-Checkout hardware and software systems.
2. Disconnect Sensormatic® AC Power cable from the AC outlet.
3. Remove the three (3) screws to remove the Sensormatic® Controller enclosure from the back of the pedestal, as shown in the image below.



CCP-84273

4. Place the Sensormatic® Controller Enclosure assembly on a flat surface.

5. Remove two (2) screws to detach the Sensormatic® Controller Bracket from the enclosure.



6. Disconnect the cables.
7. Slide the Sensormatic® Controller out of the Sensormatic® Controller enclosure.

