



Kit Instructions

Input Shelf (Half Depth - Card Only)



7372-K500

Issue A

The product described in this document is a licensed product of NCR Corporation.

NCR is a registered trademark of NCR Corporation. NCR Self-Checkout Hardware is a trademark of NCR Corporation in the United States and/or other countries. Other product names mentioned in this publication may be trademarks or registered trademarks of their respective companies and are hereby acknowledged.

The terms HDMI and HDMI High-Definition Multimedia Interface, and the HDMI Logo are trademarks or registered trademarks of HDMI Licensing LLC in the United States and other countries.

Where creation of derivative works, modifications or copies of this NCR copyrighted documentation is permitted under the terms and conditions of an agreement you have with NCR, NCR's copyright notice must be included.

It is the policy of NCR Corporation (NCR) to improve products as new technology, components, software, and firmware become available. NCR, therefore, reserves the right to change specifications without prior notice.

All features, functions, and operations described herein may not be marketed by NCR in all parts of the world. In some instances, photographs are of equipment prototypes. Therefore, before using this document, consult with your NCR representative or NCR office for information that is applicable and current.

Copyright © 2023

By NCR Voyix Corporation

Global Headquarters

864 Spring St. NW

Atlanta, GA 30308

United States

All Rights Reserved

Confidential and proprietary information of NCR Voyix Corporation.
Unauthorized use, reproduction and/or distribution is strictly prohibited.

Revision Record

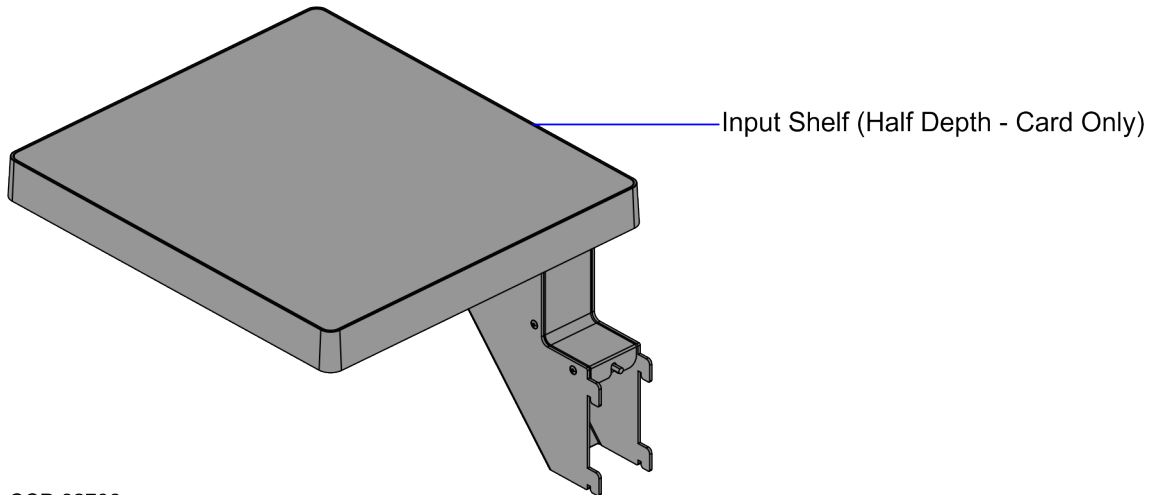
Issue	Date	Remarks
A	Nov 2023	First issue.

Confidential and proprietary information of NCR Voyix Corporation.
Unauthorized use, reproduction and/or distribution is strictly prohibited.

Input Shelf (Half Depth - Card Only)

This publication provides instructions for installing the 7372-K500 Input Shelf (Half Depth - Card Only) kit on the NCR Self-Checkout Hardware (7372) unit.

Kit Contents



CCP-82706

Part Number	Description
497-0533850	7372-K500 Input Shelf (Half Depth - Card Only)
497-0534303	Input Shelf (Half Depth - Card Only)
* 497-0423108	Instructions Kit (Reference Sheet)

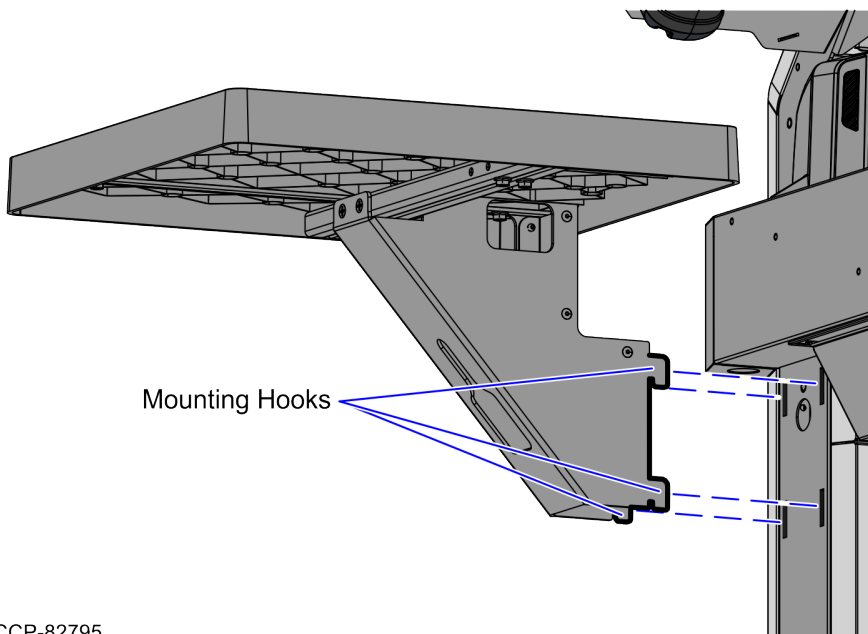
* Items marked with an asterisk are not called out on the image.

Installation Procedure

To install the 7372-K500 Input Shelf (Half Depth - Card Only) kit, follow these steps:

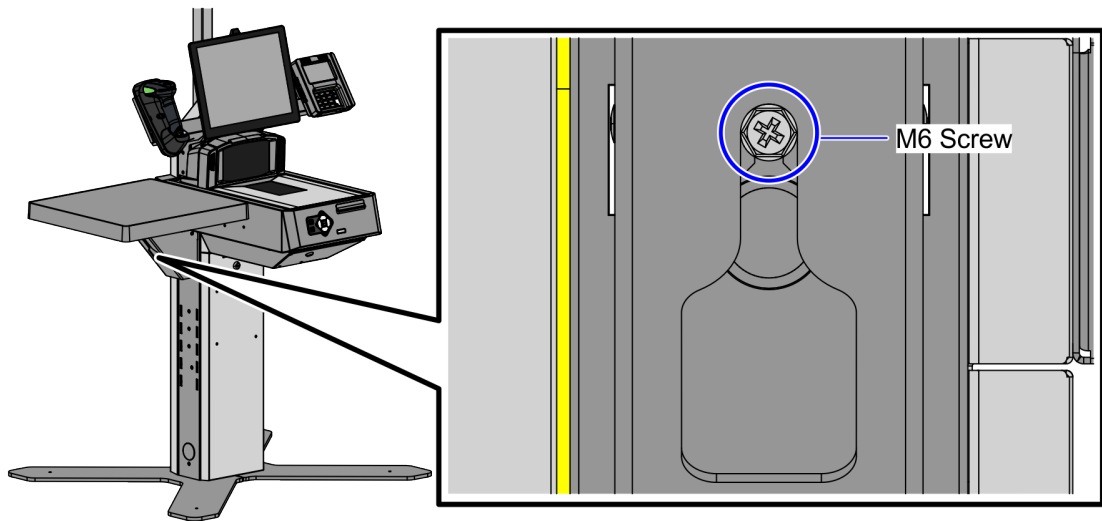
i Note
The Input Shelf can be installed on either a Left-hand (LH) unit or a Right-hand (RH) unit. This procedure shows how to install the shelf on a Left-hand (LH) unit only as an example.

1. Assemble the 7372-K500 Input Shelf (Half Depth - Card Only) kit. For more information, refer to [Setting up the Input Shelf](#).
2. Slide the mounting hooks of the Input Shelf assembly into the slotted holes on the side of the Pedestal Cabinet, as shown in the image below.



CCP-82795

3. Using one (1) M6 screw, secure the Input Shelf assembly to the Pedestal Cabinet.



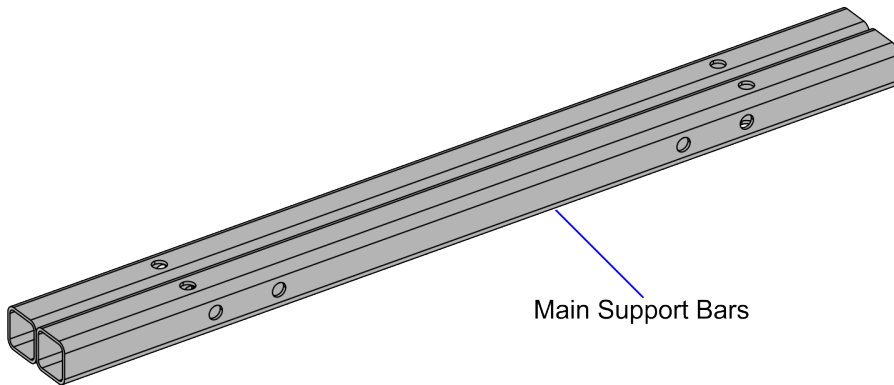
CCP-82796

Confidential and proprietary information of NCR Voyix Corporation.
Unauthorized use, reproduction and/or distribution is strictly prohibited.

Setting up the Input Shelf

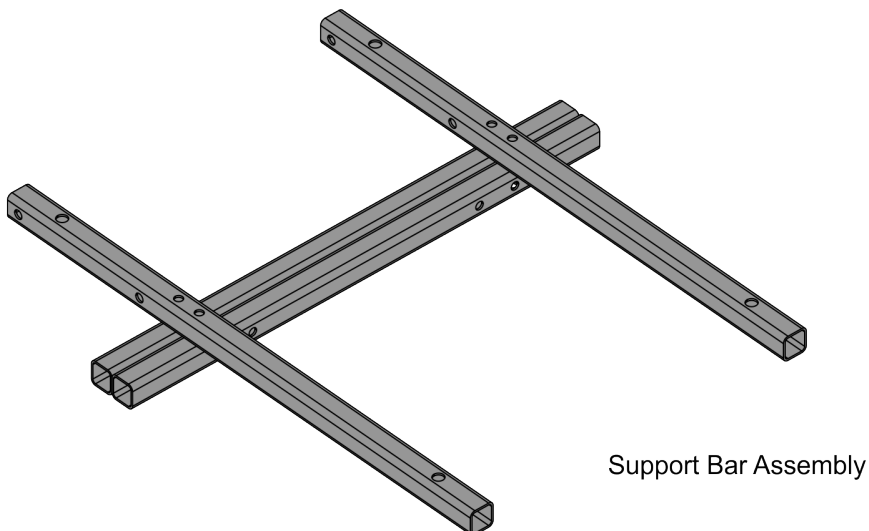
To set up the Input Shelf (Half Depth - Card Only), follow these steps:

1. Place the two (2) main support bars side by side, as shown in the image below.



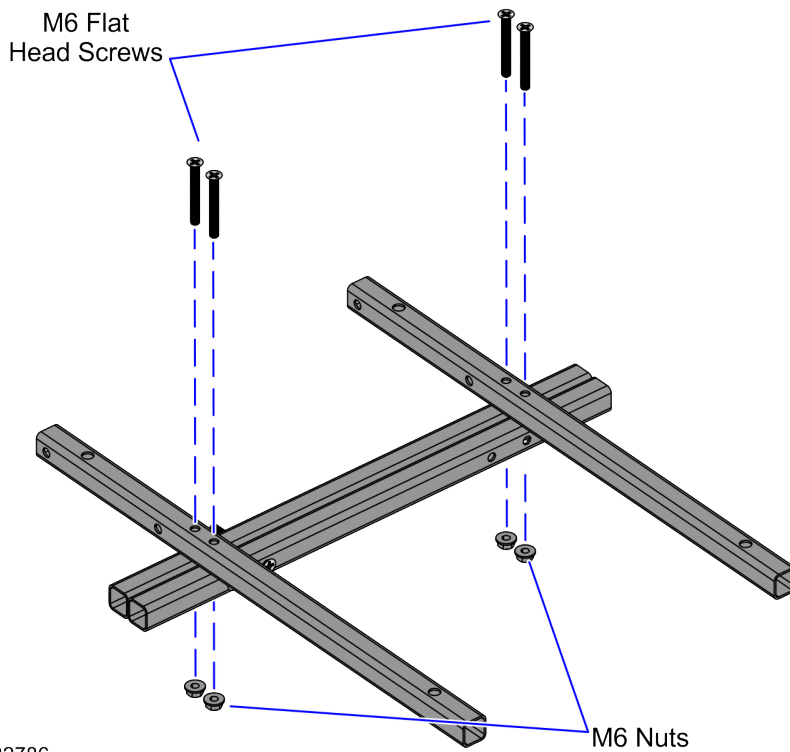
CCP-82782

2. Place the two (2) bottom support bars at each end of the main support bars, as shown in the image below.

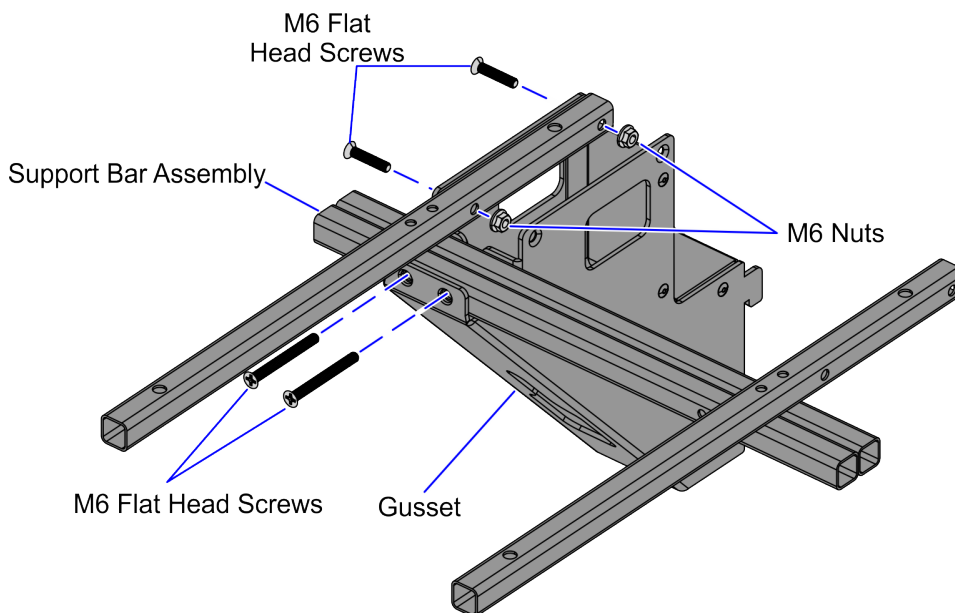


CCP-82785

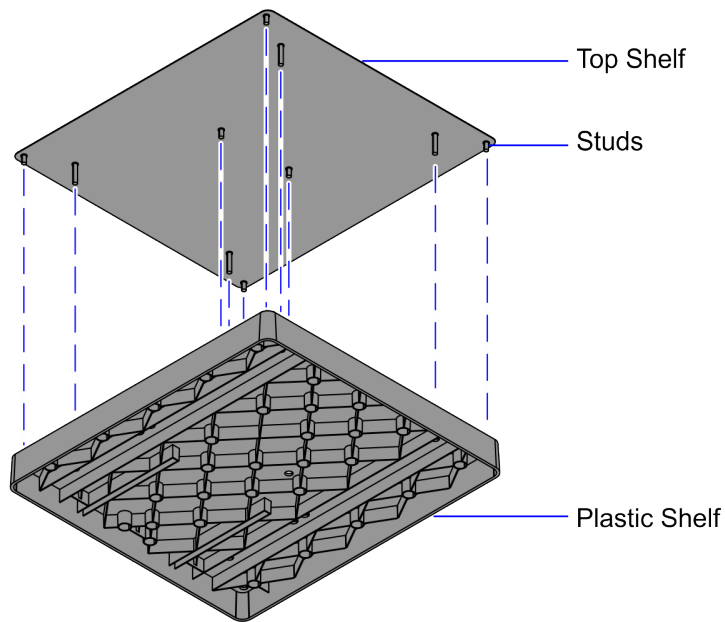
- Secure the support bars together using using four (4) M6 flat head screws and M6 nuts.



- Insert the support bar assembly into the Gusset and secure using four (4) M6 flat head screws and nuts.

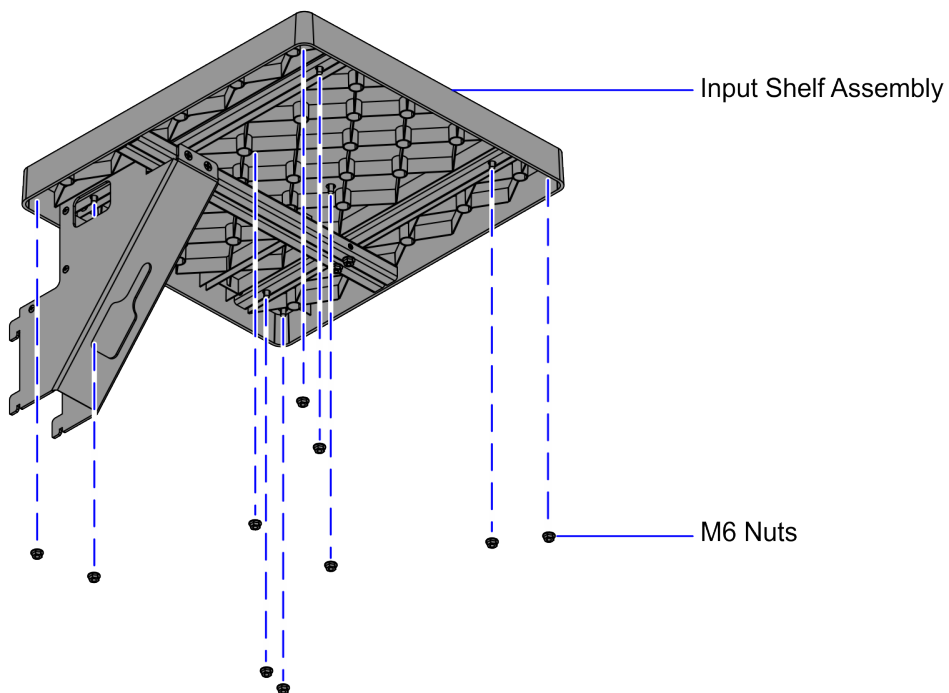


5. Install the Top Shelf on the Plastic Shelf by inserting the studs into the corresponding holes, as shown in the image below.



CCP-82797

6. Secure the Input Shelf assembly on the Gusset assembly using 10 M6 nuts.



CCP-82798

Confidential and proprietary information of NCR Voyix Corporation.
Unauthorized use, reproduction and/or distribution is strictly prohibited.