



Kit Instructions

PIN Pad Mount - Lane 7000 (Tabletop)



7372-K353

Issue A

Copyright and Trademark Information

The product described in this document is a licensed product of NCR Voyix Corporation.

Product Type is a trademark of NCR Voyix Corporation in the United States and/or other countries. Other product names mentioned in this publication may be trademarks or registered trademarks of their respective companies and are hereby acknowledged.

Where creation of derivative works, modifications or copies of this NCR copyrighted documentation is permitted under the terms and conditions of an agreement you have with NCR, NCR's copyright notice must be included.

Disclaimer:

It is the policy of NCR Voyix Corporation to improve products as technology, components, software and firmware become available. NCR Voyix therefore reserves the right to change specifications without prior notice.

All features, functions and operations described herein may not be marketed by NCR Voyix in all parts of the world. In some instances, photographs are of equipment prototypes.

Therefore, before using this document, consult with your NCR Voyix representative or NCR Voyix office for information that is applicable and current.

© 2024

By NCR Voyix Corporation

Atlanta, Georgia, USA

All Rights Reserved

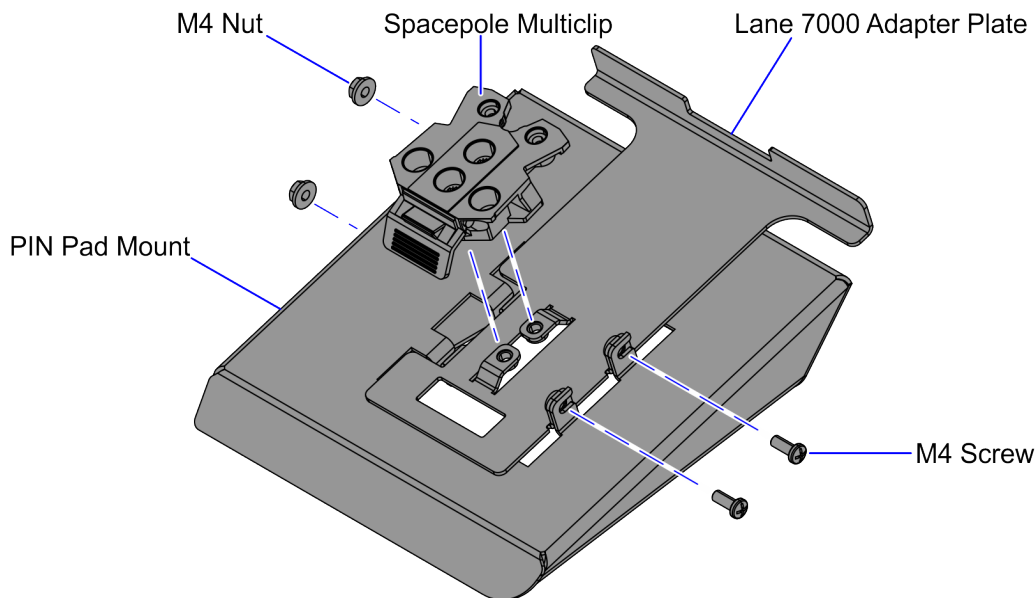
Revision Record

Publication issue	Date	Description of change
A	Apr 2024	First issue.

PIN Pad Mount - Lane 7000 (Tabletop)

This publication provides procedures for installing the 7372-K353 PIN Pad Mount - Lane 7000 (Tabletop) to the NCR Voyix SCO Tabletop unit.

Kit Contents



CCP-84405

Part Number	Description
497-0536168	7372-K353 PINPad Mount - Lane 7000 (Tabletop)
497-0536331	Mount, PIN Pad Base, Tabletop
006-8608194	Screw, M4X10, Machine, Phil, Pan, Stl, Black (2 pcs)
006-8628727	Serrated Nut - Self Locking (M4, 4.2) (2 pcs)
497-0532678	Lane 7000 Adapter Plate
497-0530613	Spacepole Multiclip
* 006-8615143	Cable Tie, 142Mm X 3.6Mm (4 pcs)
* 497-0423108	Instructions Kit (Reference Sheet)

Confidential and proprietary information of NCR Voyix.
Use and disclose solely pursuant to company instructions.

* Items marked with an asterisk are not called out on the image.

Installation Procedure

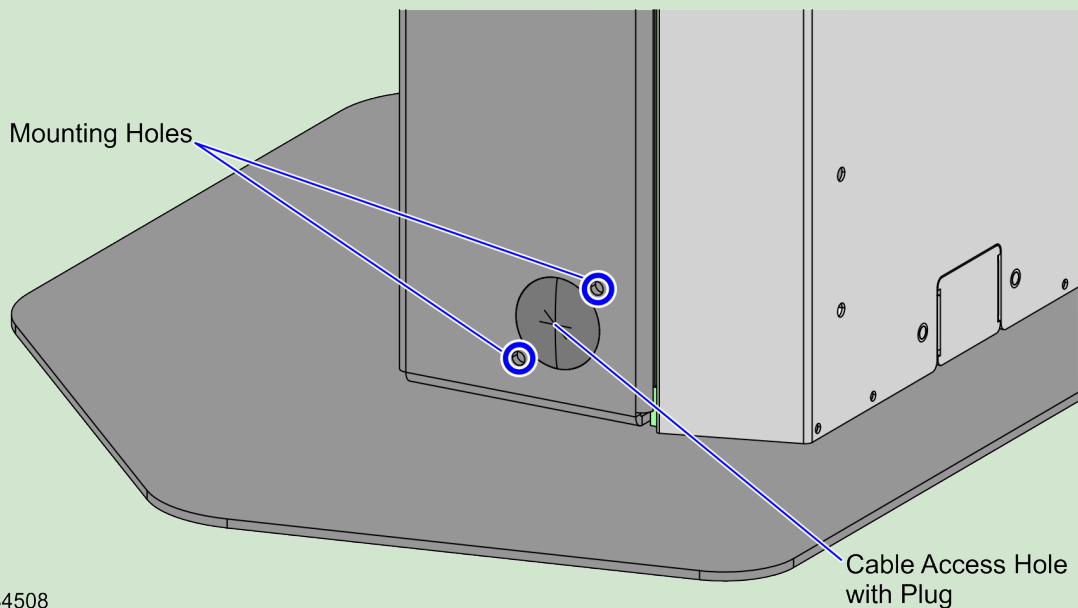
To install the PIN Pad Mount - Lane 7000 (Tabletop) kit, follow these steps:

Note

For the purpose of illustration only, the procedure show images using units with a uNAV Base.

Note

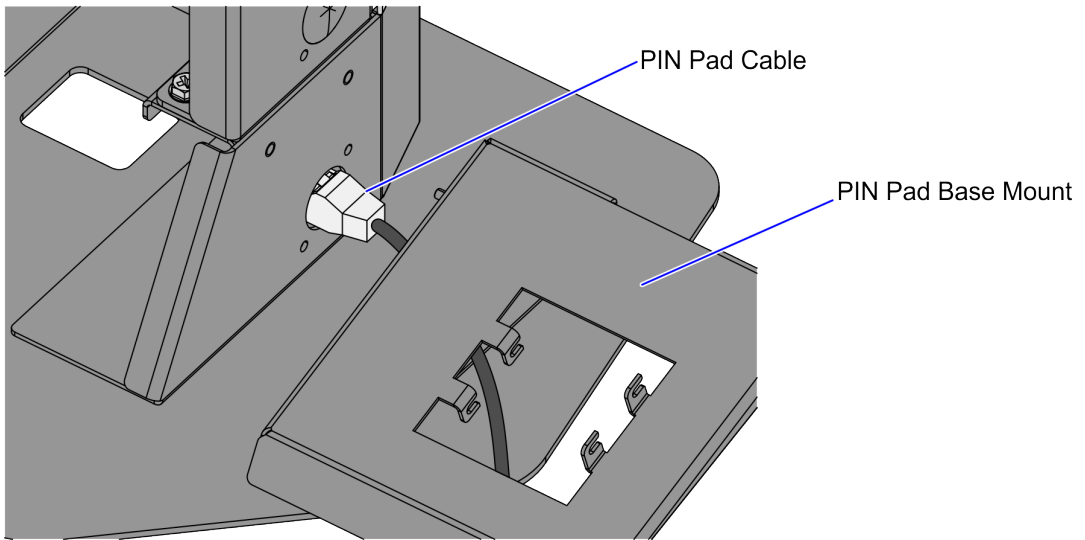
For units without a uNAV Base, remove the hole plug from the cable access hole at the base of the Tower module to install the PIN Pad mount.



1. Open the Tower Cabinet door.
2. Remove the hole plug from the cable access hole on the uNAV Base.

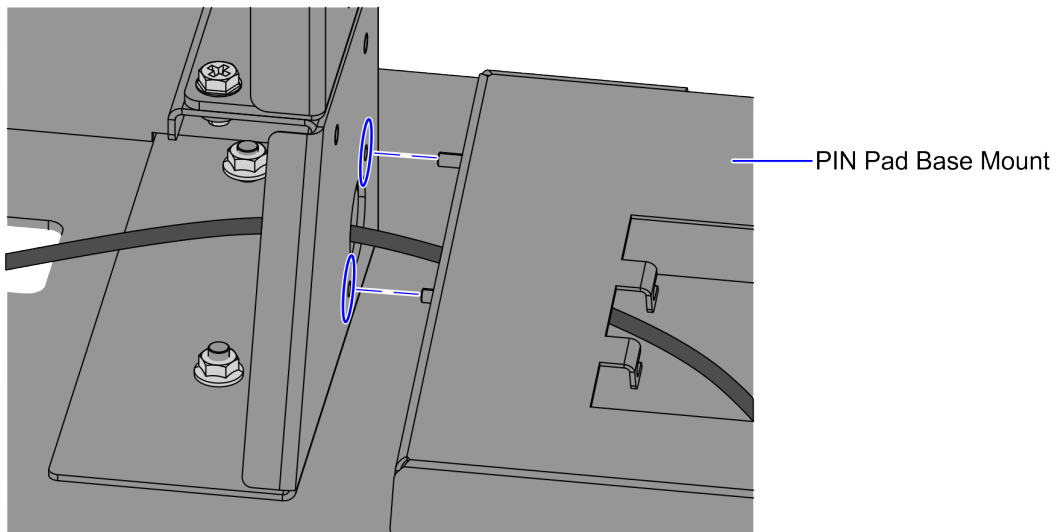
3. Install the PIN Pad Mount by doing the following:

- a. Route the PIN Pad cable from inside the PIN Pad Mount and out into the access hole on the uNAV Base, as shown in the image below.



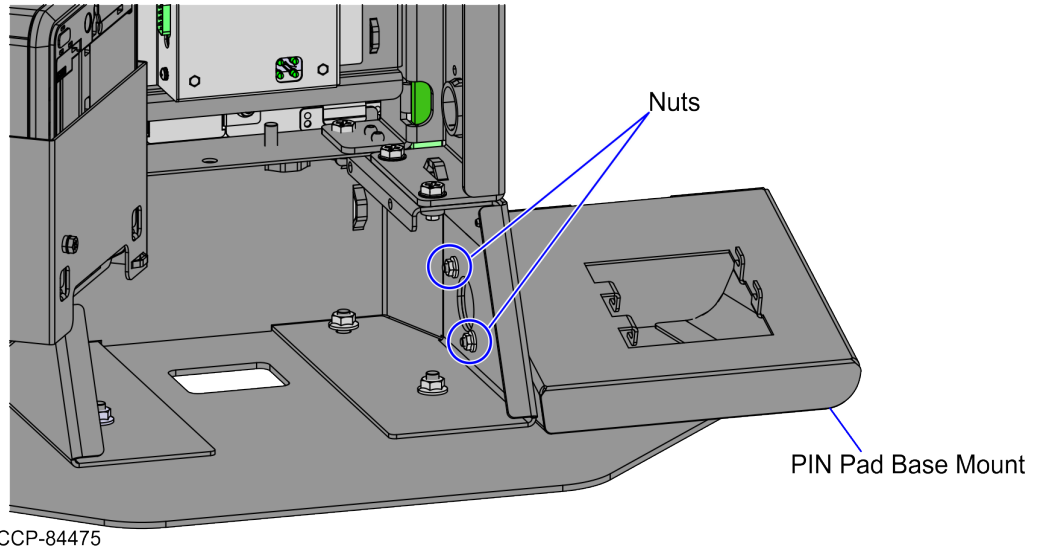
CCP-84473

- b. Insert the studs of the PIN Pad Base Mount into the corresponding holes on the uNAV Base.



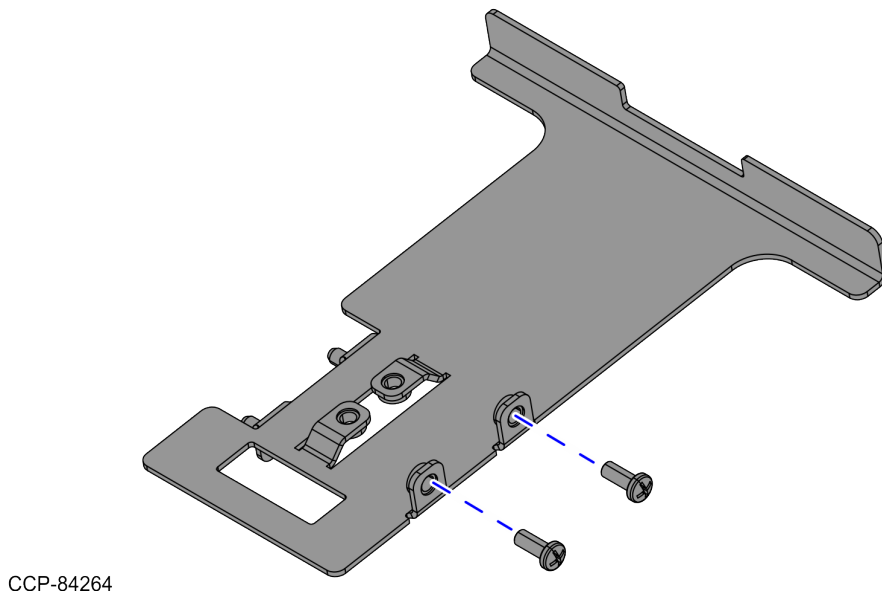
CCP-84474

- c. Secure the PIN Pad Base Mount using two (2) M4 nuts.

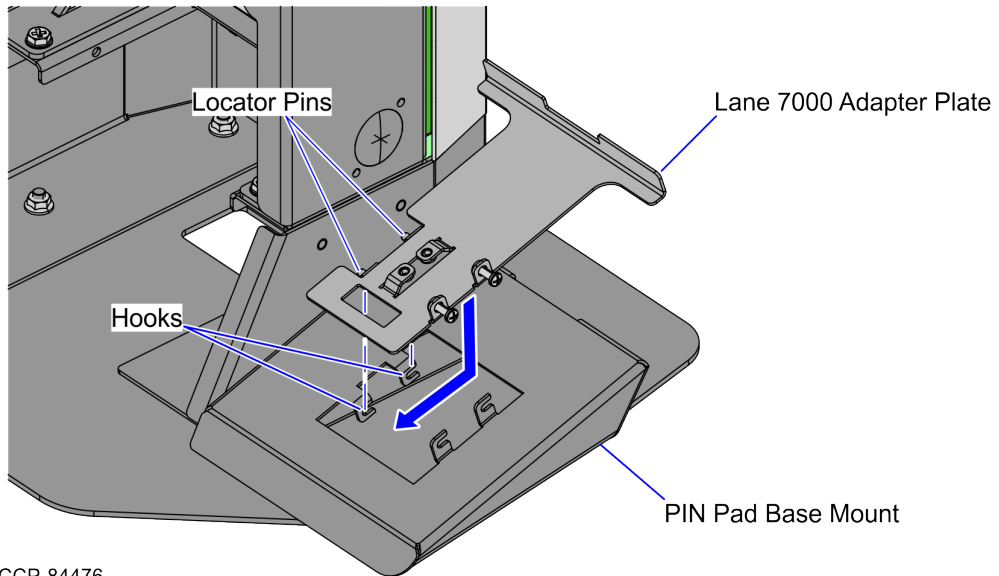


4. Install the Adapter Plate to the PIN Pad mount by doing the following:

- a. Partially insert the two (2) M4 screws into the screw slots of the mounting plate.

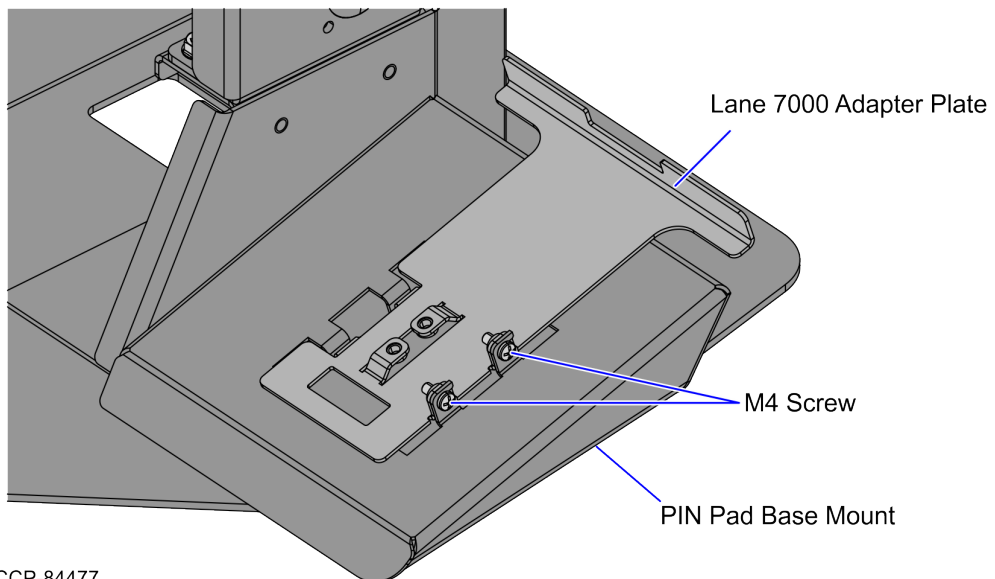


- b. Slide the locator pins of the Adapter Plate into the bottom hooks of the PIN Pad Base Mount, as shown in the image below.



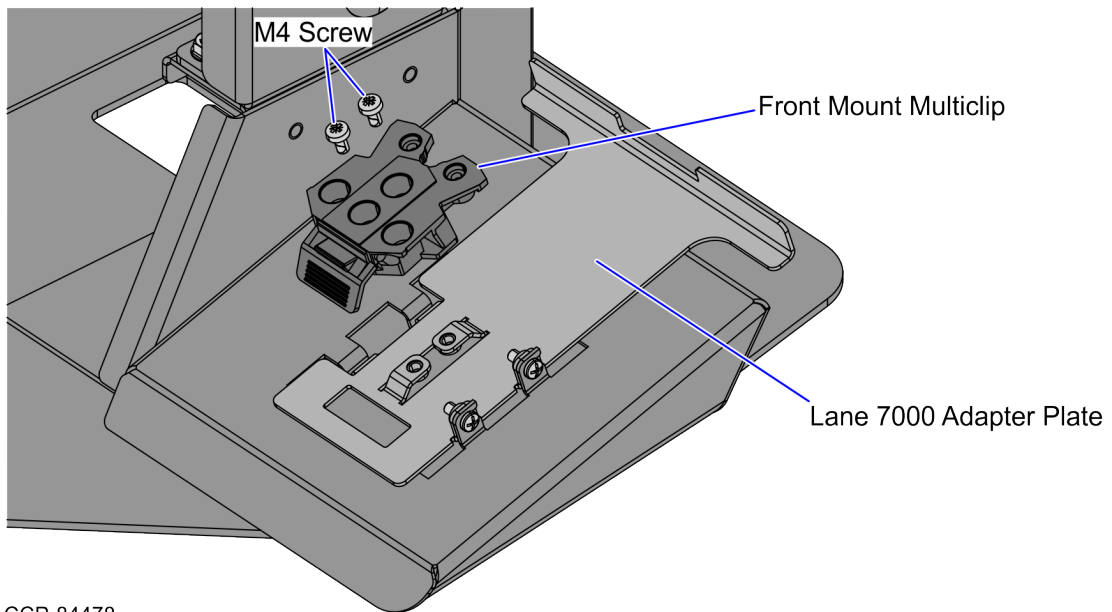
CCP-84476

- c. Secure the Adapter Plate to the PIN Pad Mount by tightening the two (2) M4 pan head screws, as shown in the image below.



CCP-84477

5. Align the Front Mount Multiclip onto the Adapter Plate and then secure it using two (2) M4 pan head screws, as shown in the image below.



CCP-84478

6. Route the PIN Pad device cable. For more information, refer to ["Routing the PIN Pad Cable"](#) on the next page.

Routing the PIN Pad Cable

To route the PIN Pad Cable into the 7372 SCO Tabletop unit, follow these steps:

Warning

To manage cable bundles properly, use zigzag bundling. Avoid looping the cables. For more information about routing cables, refer to the 7372 SCO Kiosk and 7372 SCO Tabletop Cable Routing Instructions (497-0536234).

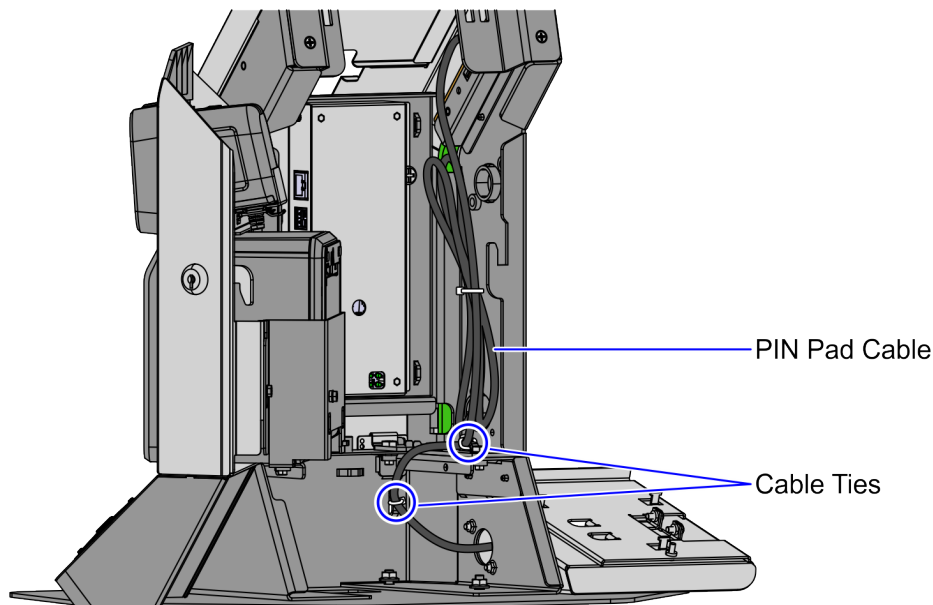
1. Route the cable along the wall of the Tower Cabinet and then secure the cable using cable ties.

Warning

Do not overtighten the cable ties to avoid internal discontinuity and damages.

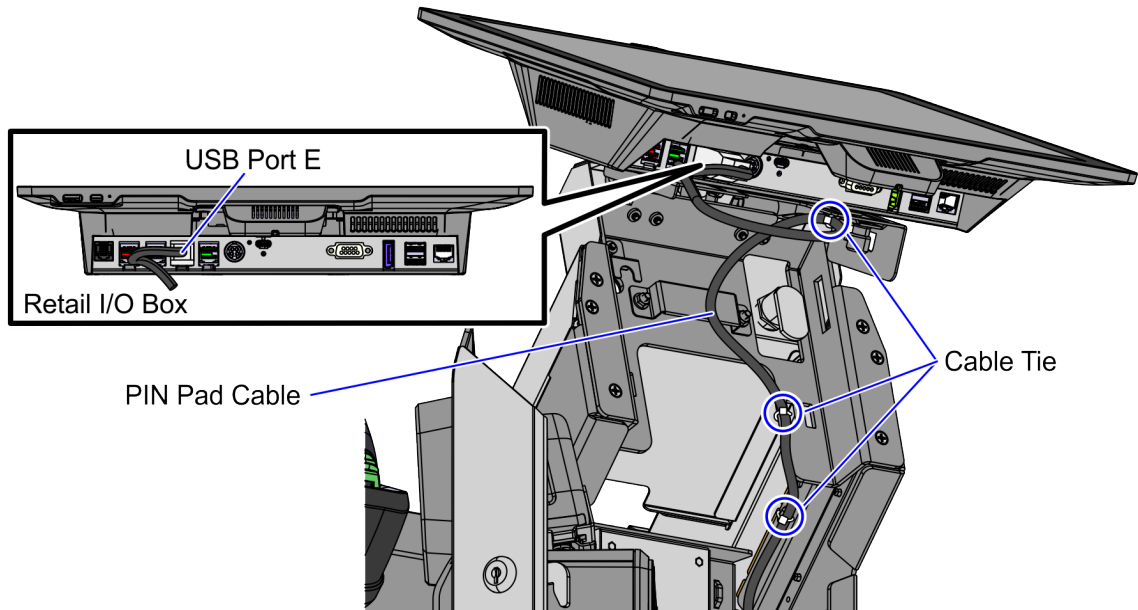
Note

Keep the PIN Pad Cable (and other communications cables) away from and not bundled with AC power cables and Electronic Article Surveillance (EAS) cables.



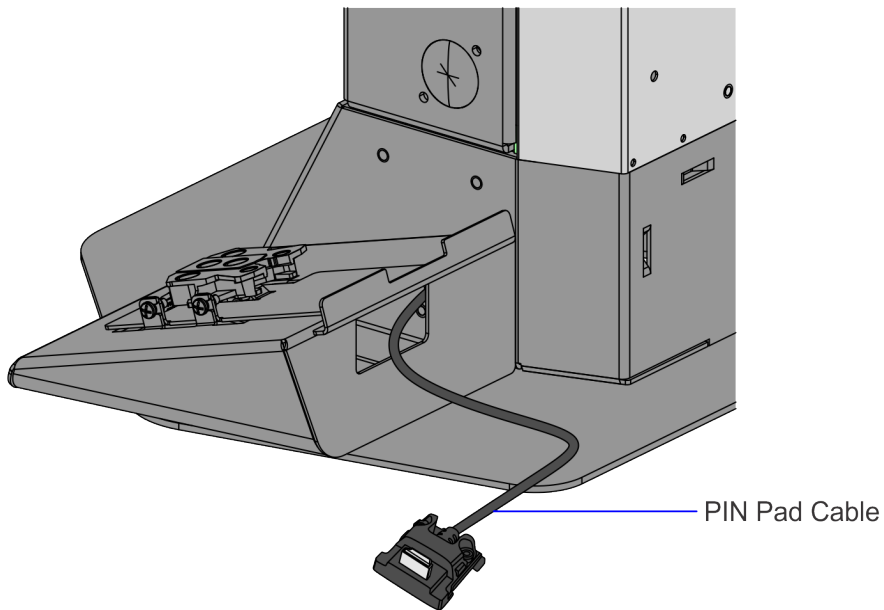
CCP-84499

2. Connect the PIN Pad cable to the Retail I/O Box (12V Powered USB Port E).



CCP-84480

3. Route the other end of the PIN Pad cable through the exit hole of PIN Pad Base Mount, as shown in the image below.



CCP-84481

4. Connect the PIN Pad cable to the Ingenico Lane 7000 PIN Pad. For more information, refer to ["Installing the Ingenico Lane 7000 PIN Pad"](#) on the next page.

Confidential and proprietary information of NCR Voyix.
Use and disclose solely pursuant to company instructions.

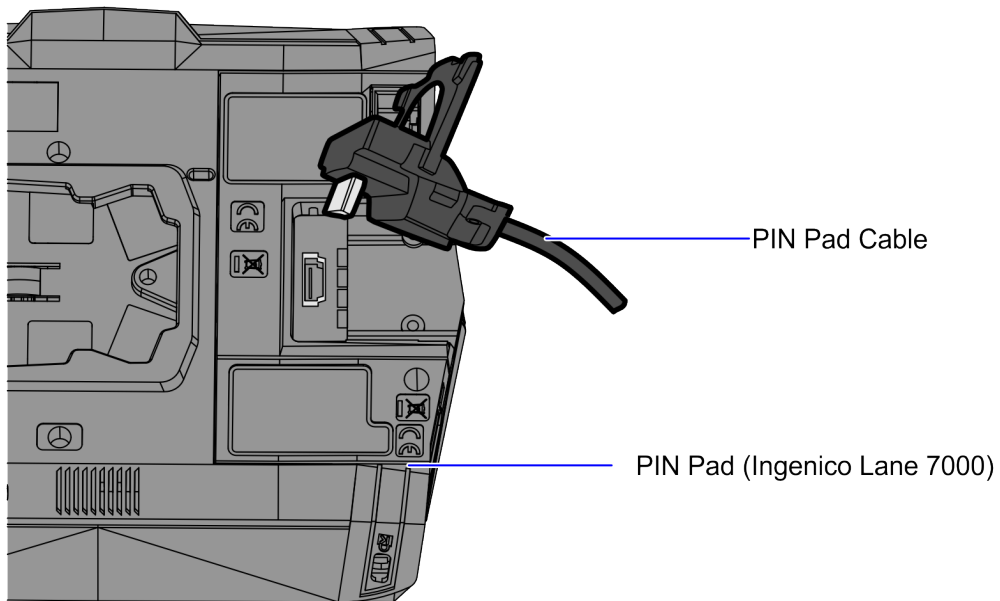
Installing the Ingenico Lane 7000 PIN Pad

To install the PIN Pad device, follow these steps:

Note

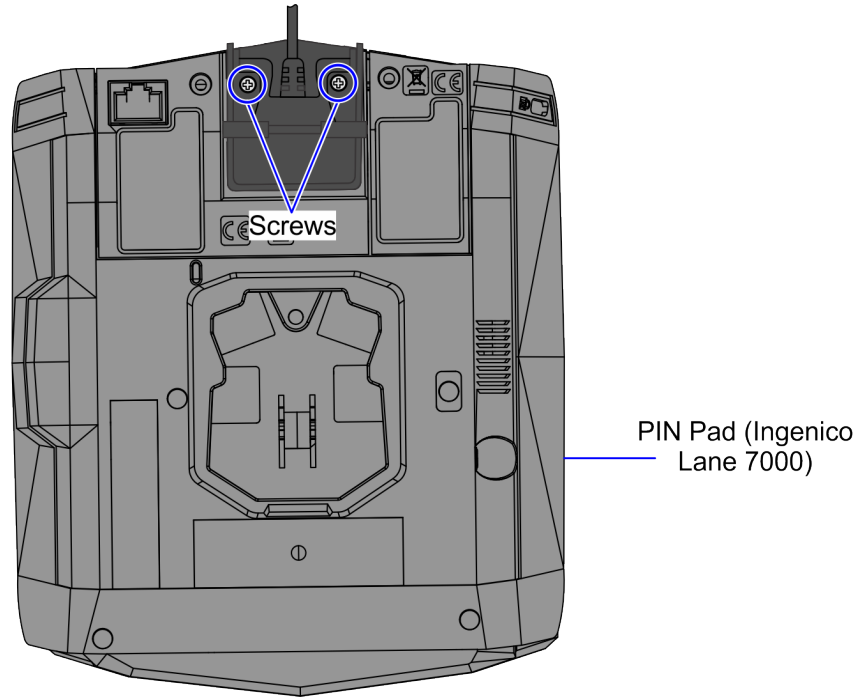
The Ingenico Lane 7000 PIN Pad device is not included in the *7372-K353 PIN Pad Mount - Lane 7000 (Tabletop) Kit*. For more information, contact an NCR Customer Service Representative.

1. Connect the cable at the back of the PIN Pad device, as shown in the image below.



CCP-84482

2. Secure the cable using two (2) screws.

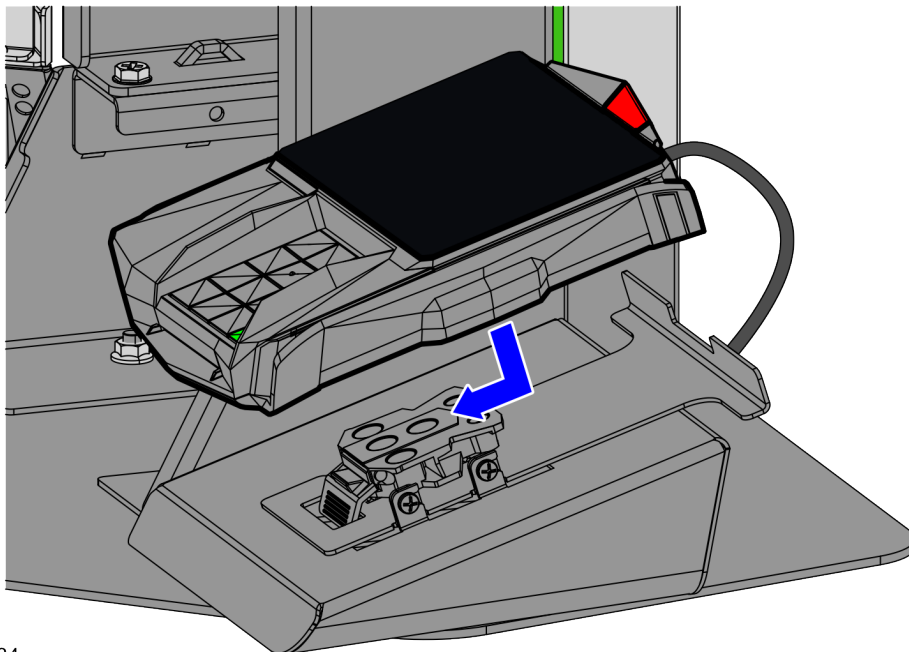


CCP-84483

3. Attach the PIN Pad device to the Front Mount Multiclip, as shown in the image below.

Note

A clicking sound indicates that the PIN Pad device is properly installed on the Front Mount Multiclip.



CCP-84484

Confidential and proprietary information of NCR Voyix.
Use and disclose solely pursuant to company instructions.