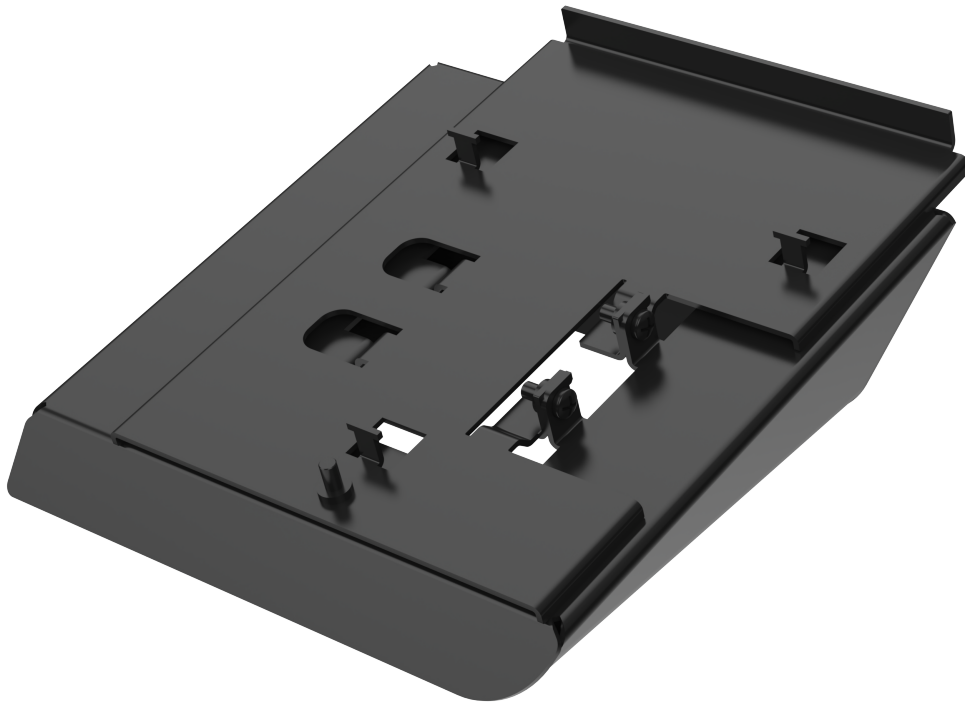




Kit Instructions

PIN Pad Mount - ISC250 (Tabletop)



7372-K352

Issue A

Copyright and Trademark Information

The product described in this document is a licensed product of NCR Voyix Corporation.

Product Type is a trademark of NCR Voyix Corporation in the United States and/or other countries. Other product names mentioned in this publication may be trademarks or registered trademarks of their respective companies and are hereby acknowledged.

Where creation of derivative works, modifications or copies of this NCR copyrighted documentation is permitted under the terms and conditions of an agreement you have with NCR, NCR's copyright notice must be included.

Disclaimer:

It is the policy of NCR Voyix Corporation to improve products as technology, components, software and firmware become available. NCR Voyix therefore reserves the right to change specifications without prior notice.

All features, functions and operations described herein may not be marketed by NCR Voyix in all parts of the world. In some instances, photographs are of equipment prototypes.

Therefore, before using this document, consult with your NCR Voyix representative or NCR Voyix office for information that is applicable and current.

© 2024

By NCR Voyix Corporation

Atlanta, Georgia, USA

All Rights Reserved

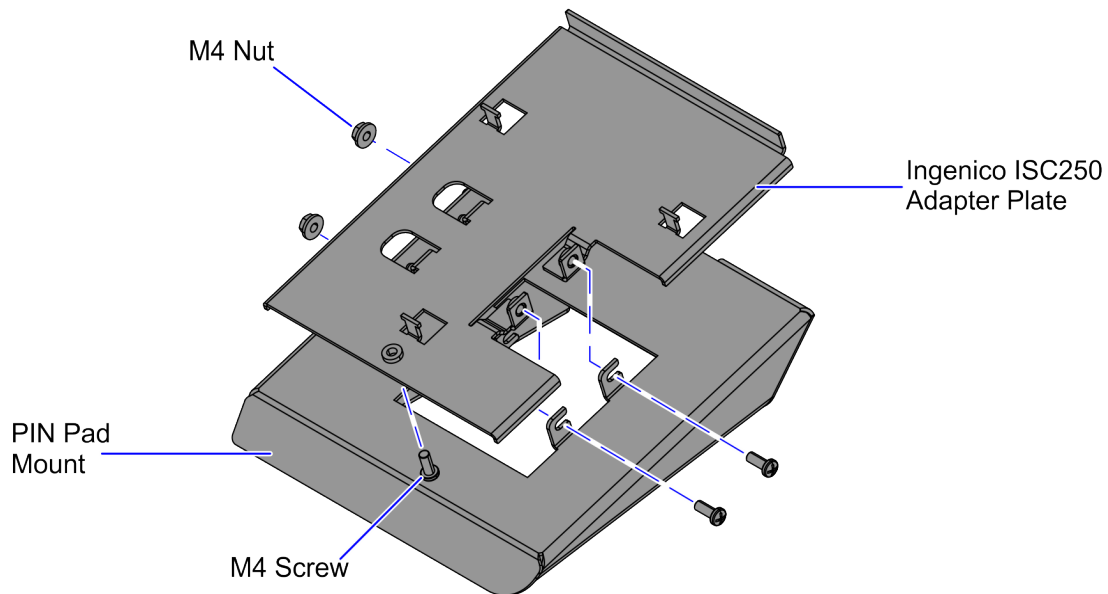
Revision Record

Publication issue	Date	Description of change
A	Apr 2024	First issue.

PIN Pad Mount - ISC250 (Tabletop)

This publication provides procedures for installing the 7372-K352 PIN Pad Mount - ISC250 (Tabletop) to the NCR Voyix SCO Tabletop unit.

Kit Contents



CCP-84404

Part Number	Description
497-0536169	7372-K352 PIN Pad Mount - ISC250 (Tabletop)
497-0536331	Mount, PIN Pad Base, Tabletop
006-8628727	Serrated Nut - Self Locking (M4, 4.2) (2 pcs)
006-8608194	Screw, M4X10, Machine, Phil, Pan, Stl, Black (3 pcs)
497-0532684	Ingenico ISC250 Adapter Plate
* 497-0423108	Instructions Kit (Reference Sheet)

* Items marked with an asterisk are not called out on the image.

Installation Procedure

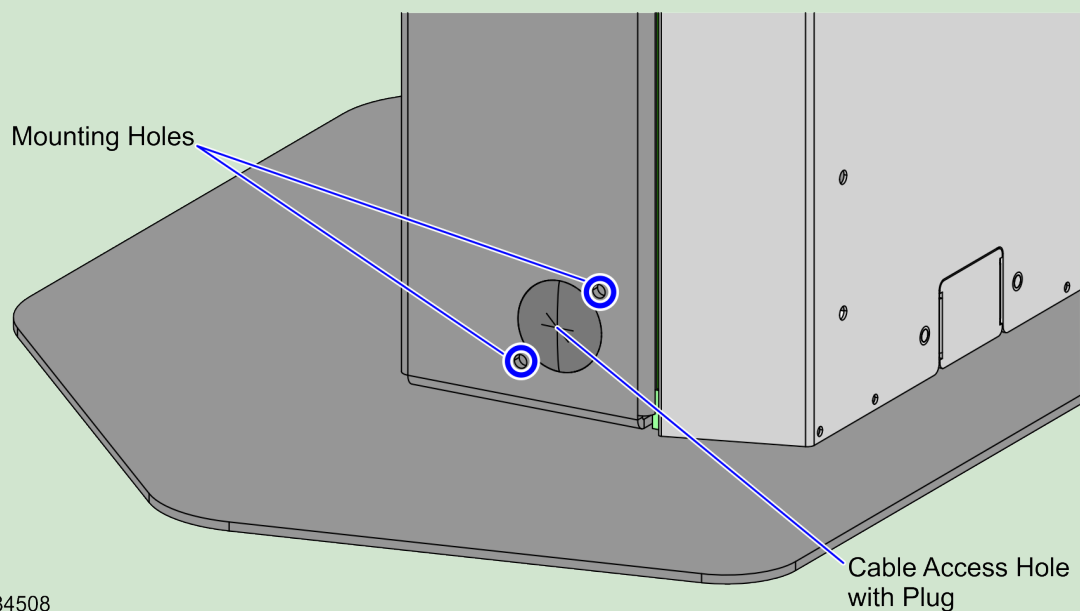
To install the PIN Pad Mount - ISC250 (Tabletop) kit, follow these steps:

Note

For the purpose of illustration only, the procedure shows images using units with a uNAV Base.

Note

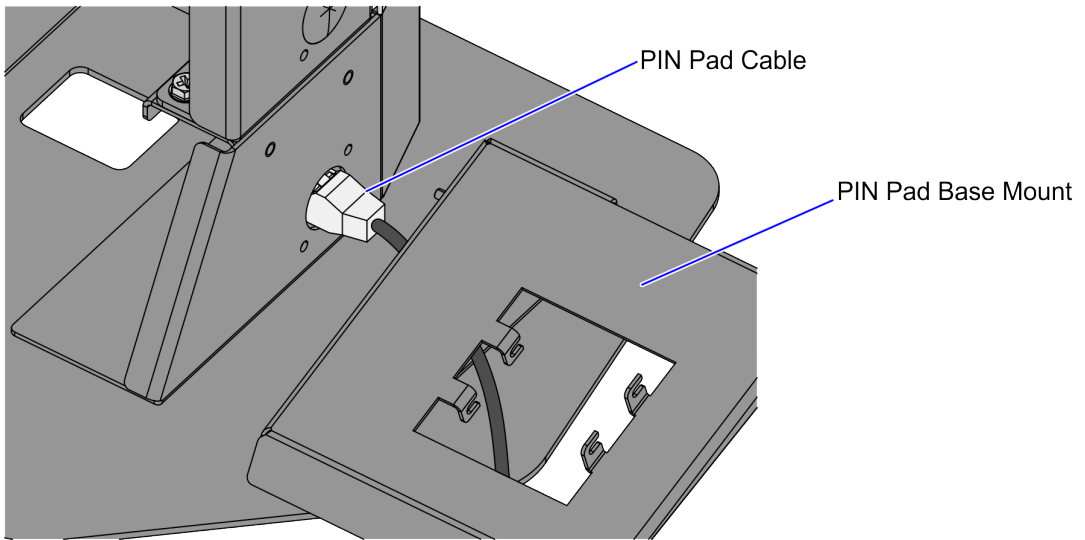
For units without a uNAV Base, remove the hole plug from the cable access hole at the base of the Tower module to install the PIN Pad mount.



1. Open the Tower Cabinet door.
2. Remove the hole plug from the cable access hole on the uNAV Base.

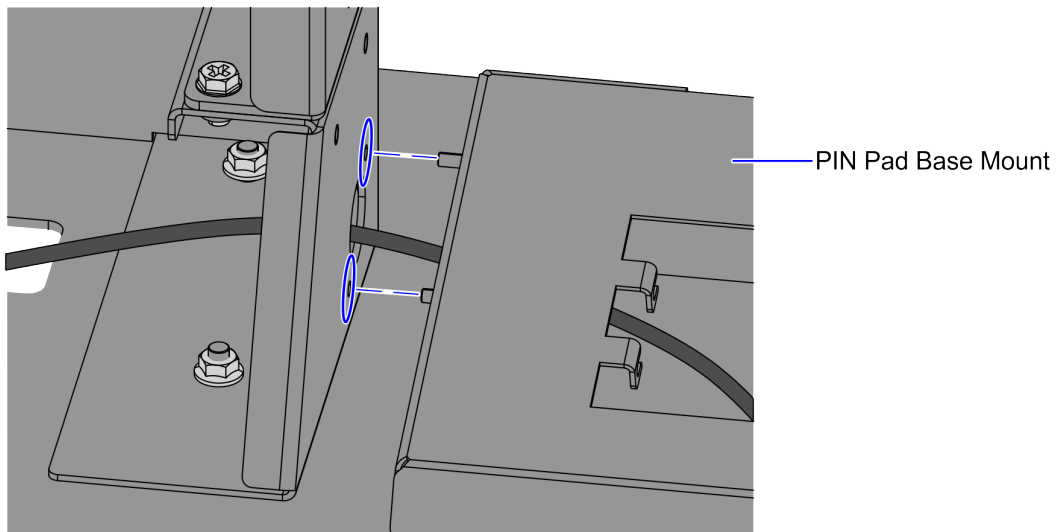
3. Install the PIN Pad Mount by doing the following:

- a. Route the PIN Pad cable from inside the PIN Pad Mount and out into the access hole on the uNAV Base, as shown in the image below.



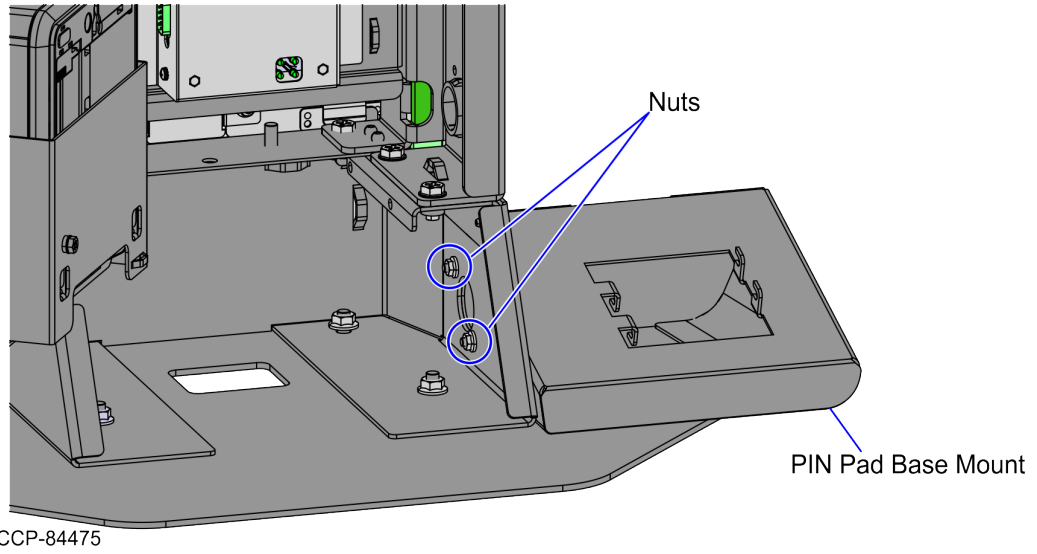
CCP-84473

- b. Insert the studs of the PIN Pad Base Mount into the corresponding holes on the uNAV Base.

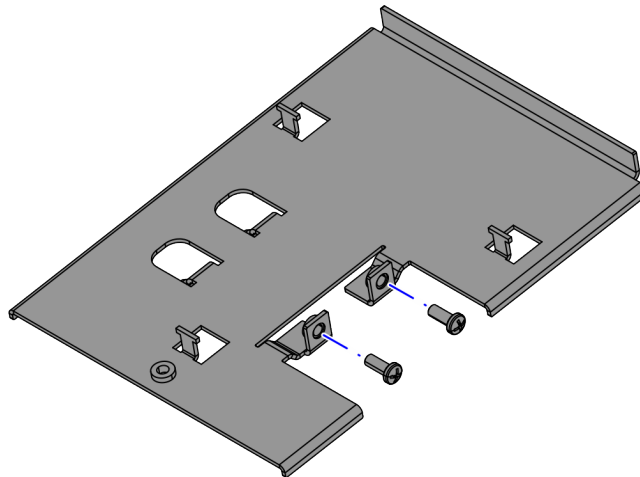


CCP-84474

c. Secure the PIN Pad Base Mount using two (2) M4 nuts.



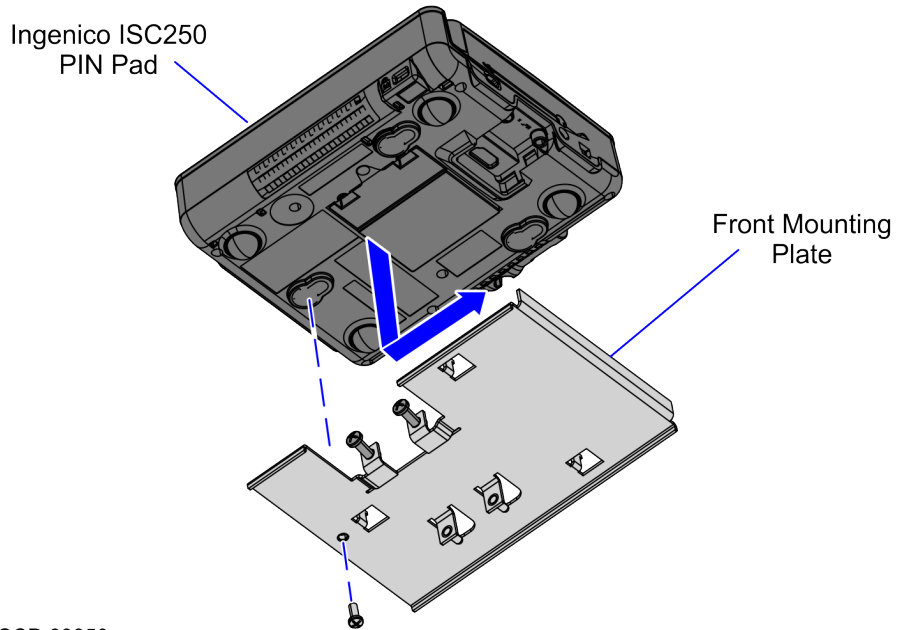
4. Partially insert the two (2) M4 screws into the screw slots of the mounting plate.



5. Attach the Ingenico ISC250 PIN Pad onto the hooks of the Front Mounting Plate and then secure it with an M4 pan head screw.

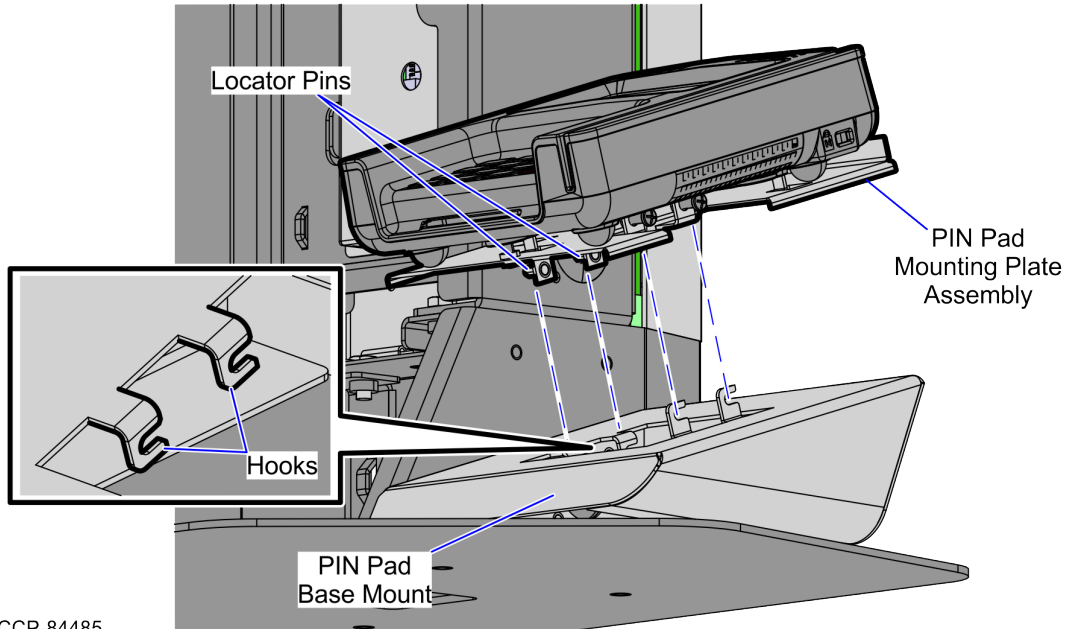
Note

The Ingenico ISC250 PIN Pad is not included in the 7372-K352 PIN Pad Mount - ISC250 (Tabletop) Kit. For more information, contact an NCR Customer Service Representative.



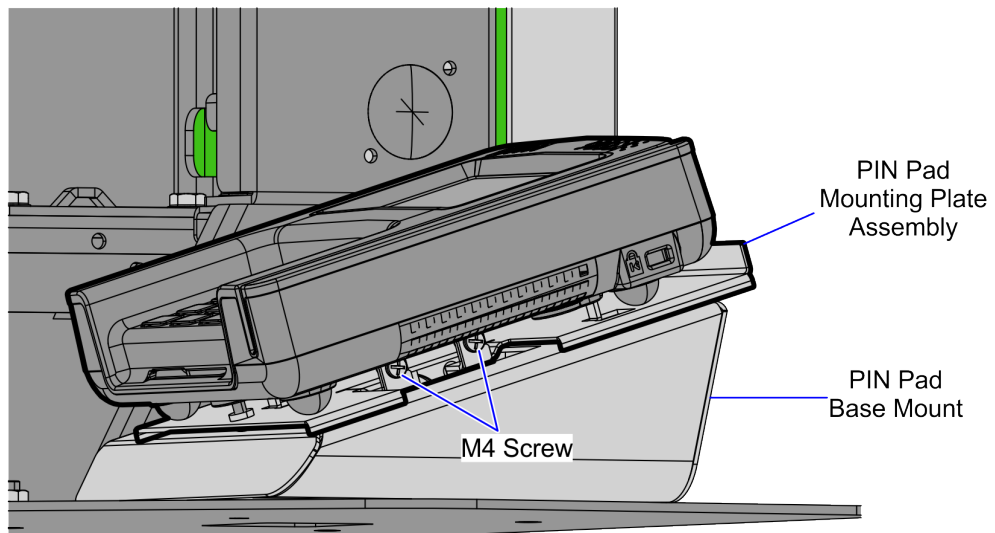
6. Do the following:

- a. Slide the locator pins of the PIN Pad Mounting Plate Assembly so that the locator pins are engaged with the bottom hooks of the PIN Pad Mount, as shown in the image below.



CCP-84485

- b. Secure the PIN Pad Mounting Plate Assembly to the PIN Pad Mount using two (2) M4 pan head screws, as shown in the image below.



CCP-84486

7. Route the PIN Pad device cable. For more information, refer to ["Routing the PIN Pad Cable"](#) on the next page.

Routing the PIN Pad Cable

To route the PIN Pad Cable into the 7372 SCO Tabletop unit, follow these steps:

Warning

To manage cable bundles properly, use zigzag bundling. Avoid looping the cables. For more information about routing cables, refer to the 7372 SCO Kiosk and 7372 SCO Tabletop Cable Routing Instructions (497-0536234).

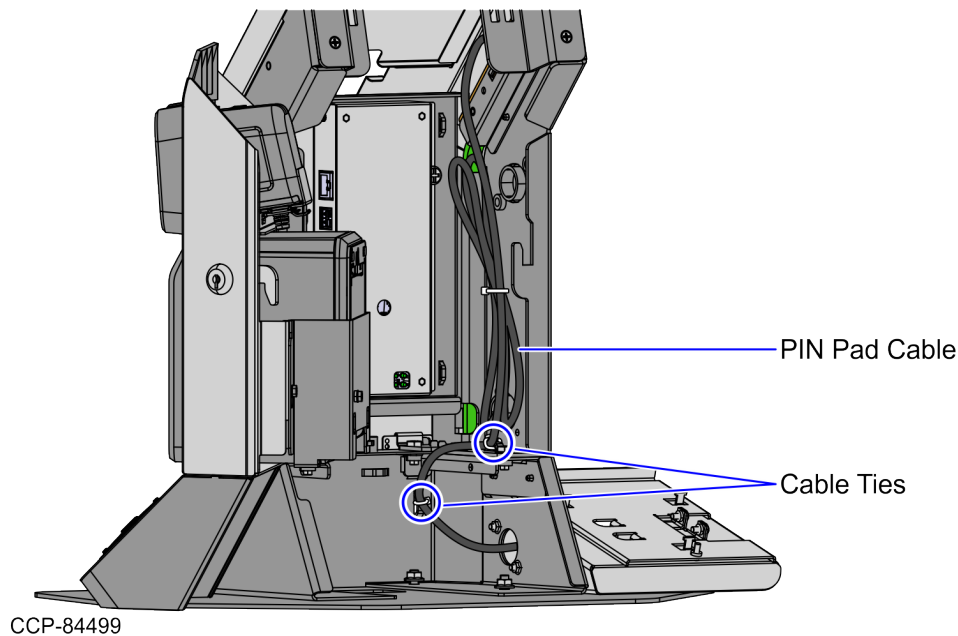
1. Route the cable along the wall of the Tower Cabinet and then secure the cable using cable ties.

Warning

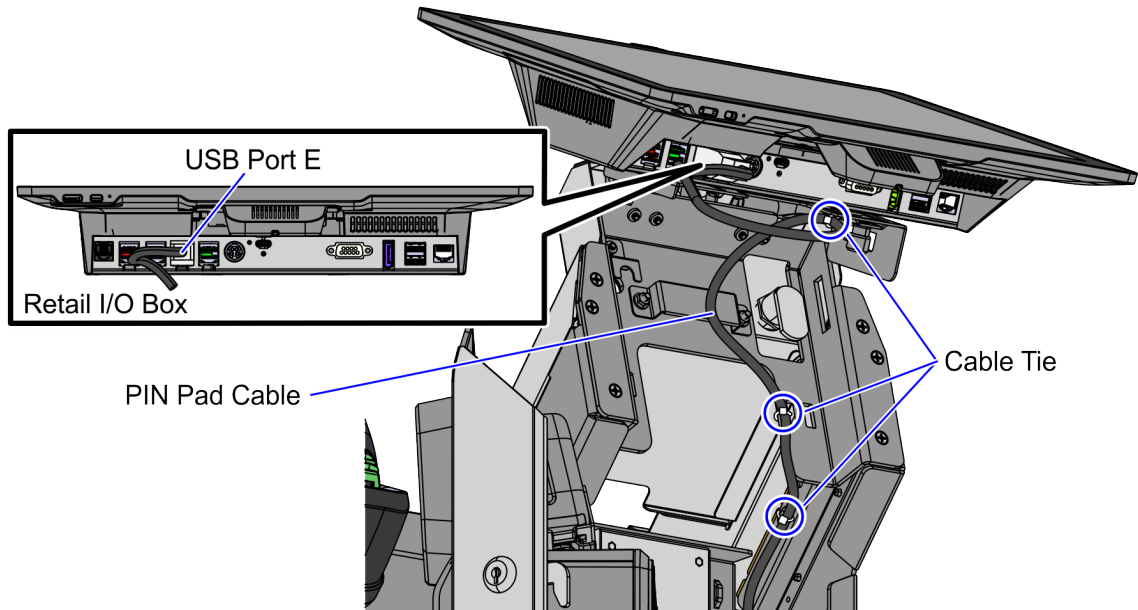
Do not overtighten the cable ties to avoid internal discontinuity and damages.

Note

Keep the PIN Pad Cable (and other communications cables) away from and not bundled with AC power cables and Electronic Article Surveillance (EAS) cables.

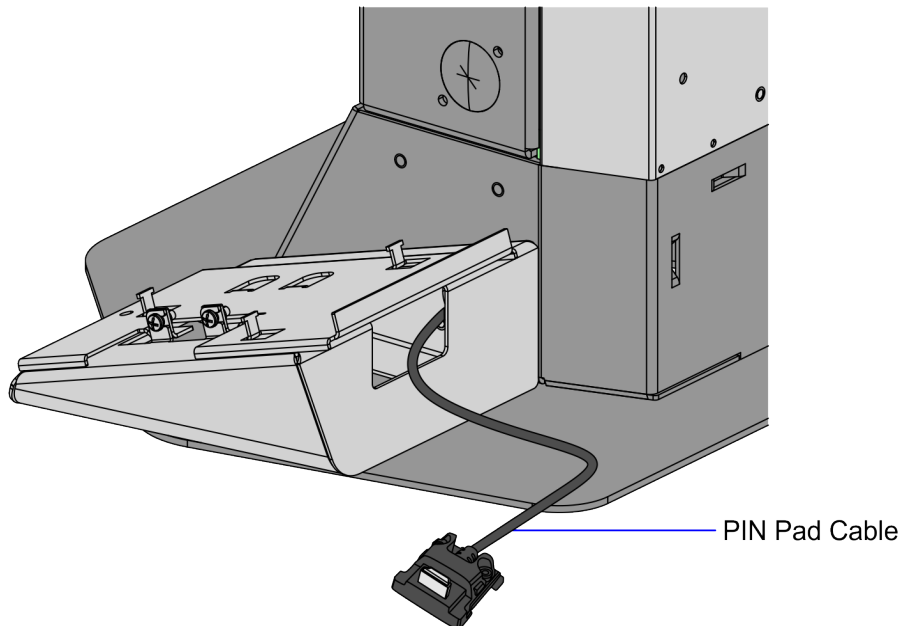


2. Connect the PIN Pad cable to the Retail I/O Box (12V Powered USB Port E).



CCP-84480

3. Route the other end of the PIN Pad cable through the exit hole of PIN Pad Base Mount, as shown in the image below.



CCP-84487

4. Connect the PIN Pad cable to the Ingenico ISC250 PIN Pad.